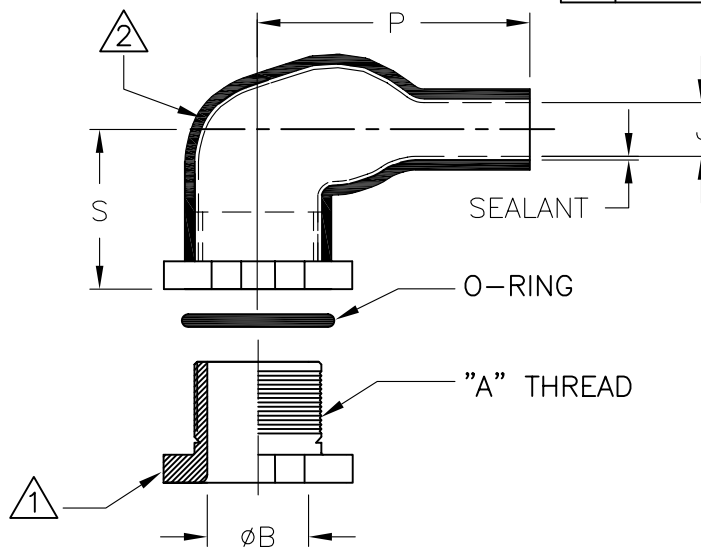


REVISIONS		
LTR	DESCRIPTION	DATE
D	ECO-07-013142	06/04/2007



PART NUMBER	ØB MIN	ØJ		P REF REC'D	S REF REC'D	DRILL SIZE
		MIN EXP	MAX REC'D			
CES-1R-X	.75 [18,8]	.50 [12,7]	.28 [7,11]	1.40 [35,56]	1.00 [25,40]	1.0 [25,4]
CES-2R-X	.75 [19,05]	.71 [18,03]	.33 [8,38]	1.70 [43,18]	1.10 [27,94]	1.0 [25,4]
CES-3R-X	1.10 [27,94]	1.10 [27,94]	.38 [9,65]	2.10 [53,34]	1.33 [33,78]	1.37 [34,8]
CES-4R-X	1.60 [40,64]	1.60 [40,64]	.62 [15,75]	3.1 [78,74]	1.56 [39,62]	2.0 [50,8]

NOTES:

- 1. THE LAST "X" IN THE PART NUMBER DESIGNATES MATERIAL AS SHOWN BELOW:
 "A": ALUMINUM 6061 T-6 WITH FINISH OF HARD ANODIZE PER MIL-A-8625, TYPE III, CLASS 2, DYED BLACK.
 "B": STAINLESS STEEL TYPE 316, WITH FINISH OF PASSIVATE PER QQ-P-35, OR MIL-S-5002. FOR STANDARD BLACK NYLON MATERIAL, OMIT THE LAST "X" IN THE PART NUMBER. (e.g. CES-3R).

2. HEAT SHRINKABLE BOOT MATERIAL IN ACCORDANCE WITH -3 POLYOLEFIN.

3. FACTORY APPLIED ADHESIVE IS STANDARD.

SPECIFICATION REFERENCE

BOOT MATERIAL: RT-301
 ADHESIVE: RW-2019

If this document is printed it becomes uncontrolled. Check for the latest revision

CUSTOMER DRAWING

© 2006-2007 Tyco Electronics Corporation. All rights reserved.



305 Constitution Dr
 Menlo Park, CA 94025



UNLESS OTHERWISE SPECIFIED DIMENSIONS ARE INCHES. METRIC DIMENSIONS ARE IN BRACKETS.

DECIMAL TOLERANCES
 .XXX ± 0.005 [0.13 mm]
 .XX ± 0.01 [0.25 mm]
 .X ± 0.1 [0.50 mm]
 ANGLE TOLERANCE
 .X ± 1 DEG.

DRAWN U. NGUYEN	DATE 06/04/07
RPN XXXXXX-000	
THIRD ANGLE PROJECTION	

TITLE CABLE ENTRY SEALS, RIGHT ANGLE, STANDARD		
SIZE A	CODE IDENT NO. 06090	DWG. NO. CES-XR-X
DO NOT SCALE THIS DRAWING		SHEET 1 OF 1

单击下面可查看定价，库存，交付和生命周期等信息

[>>TE Connectivity\(泰科\)](#)