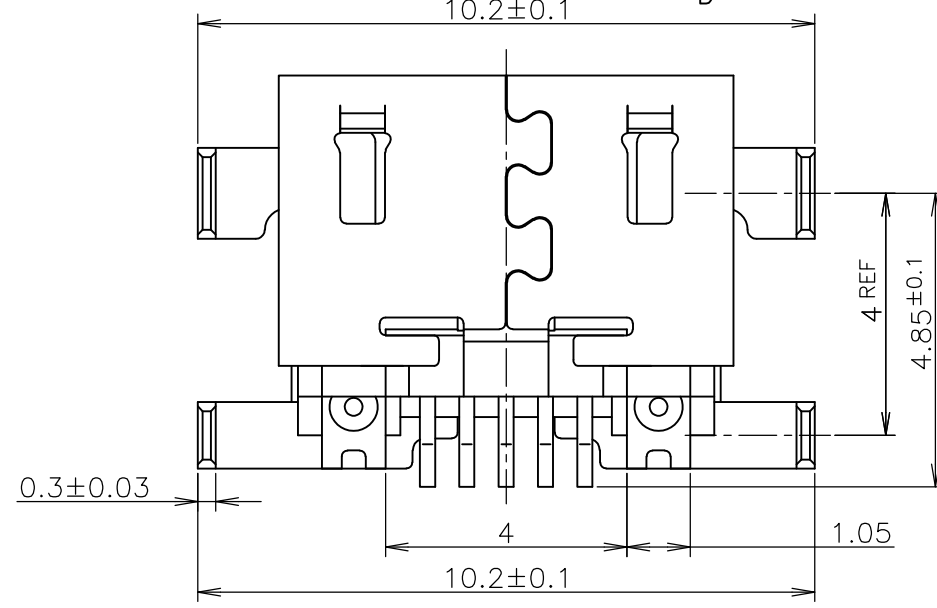
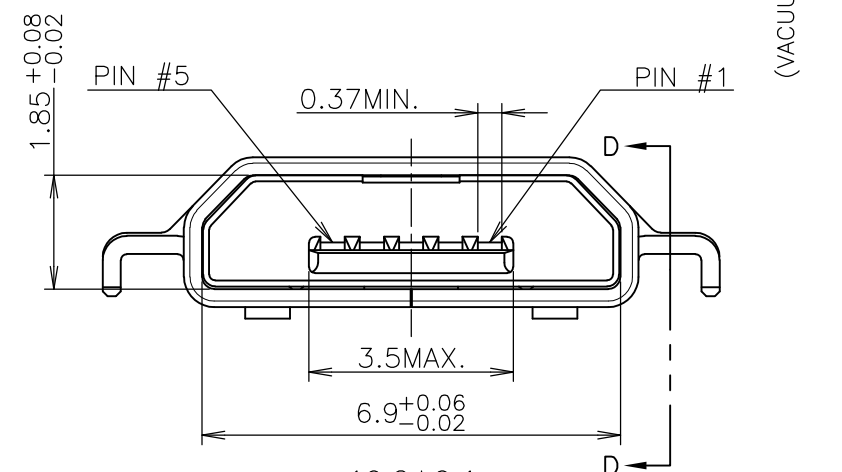
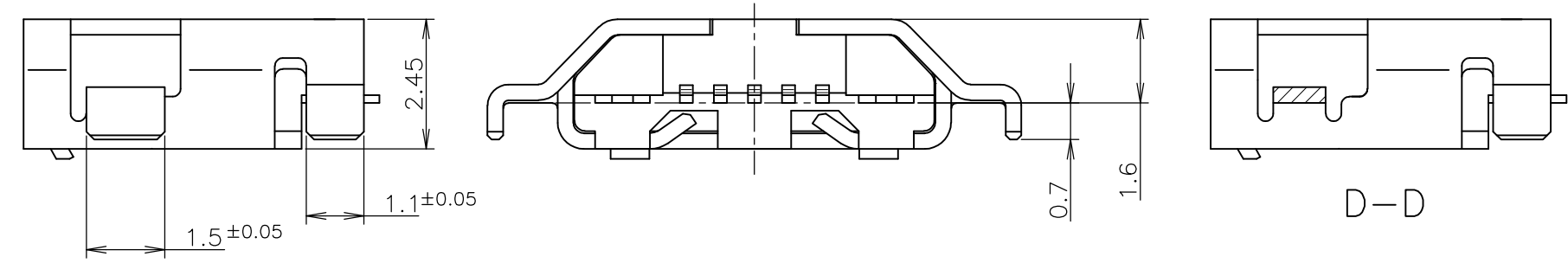
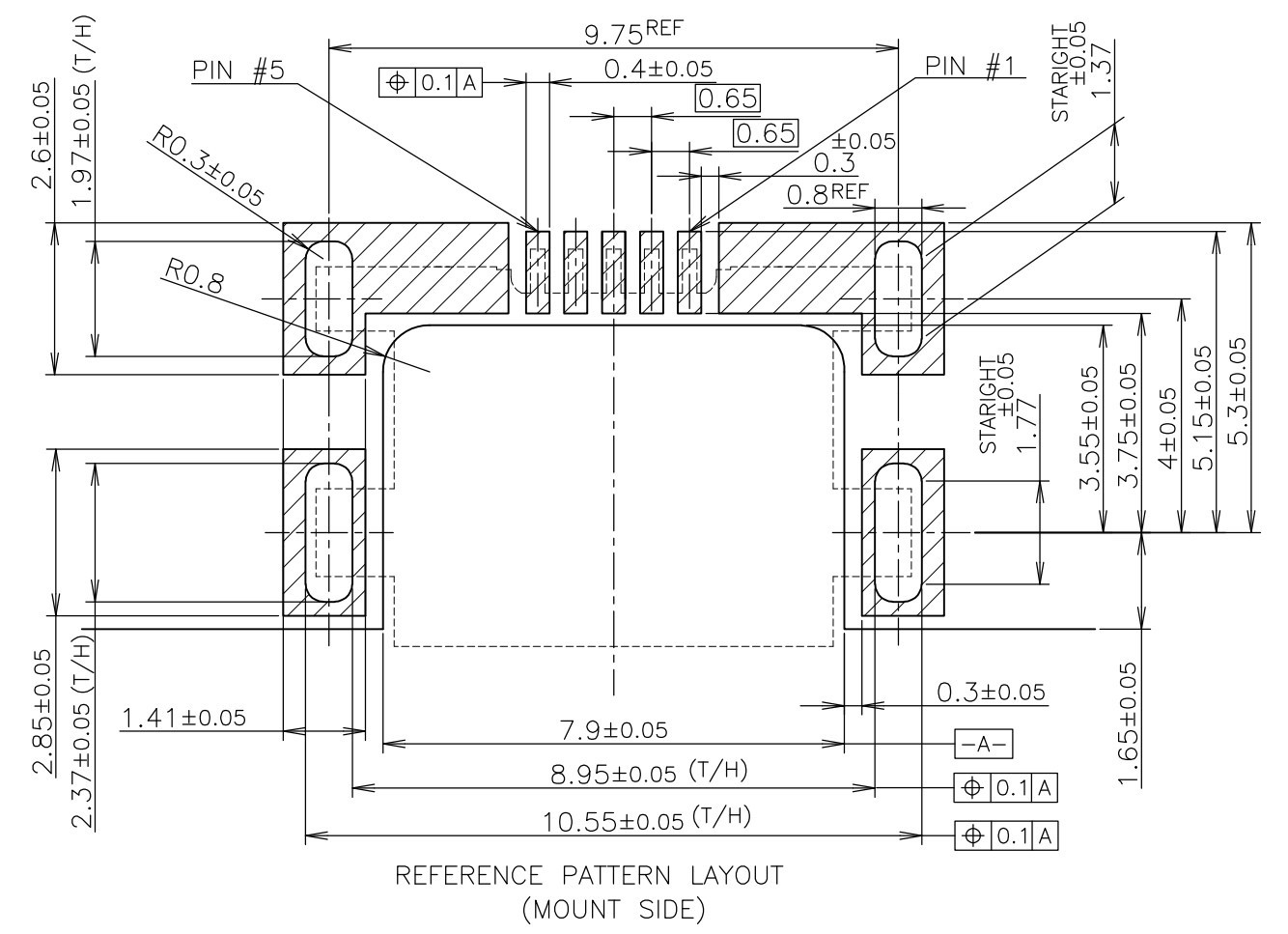
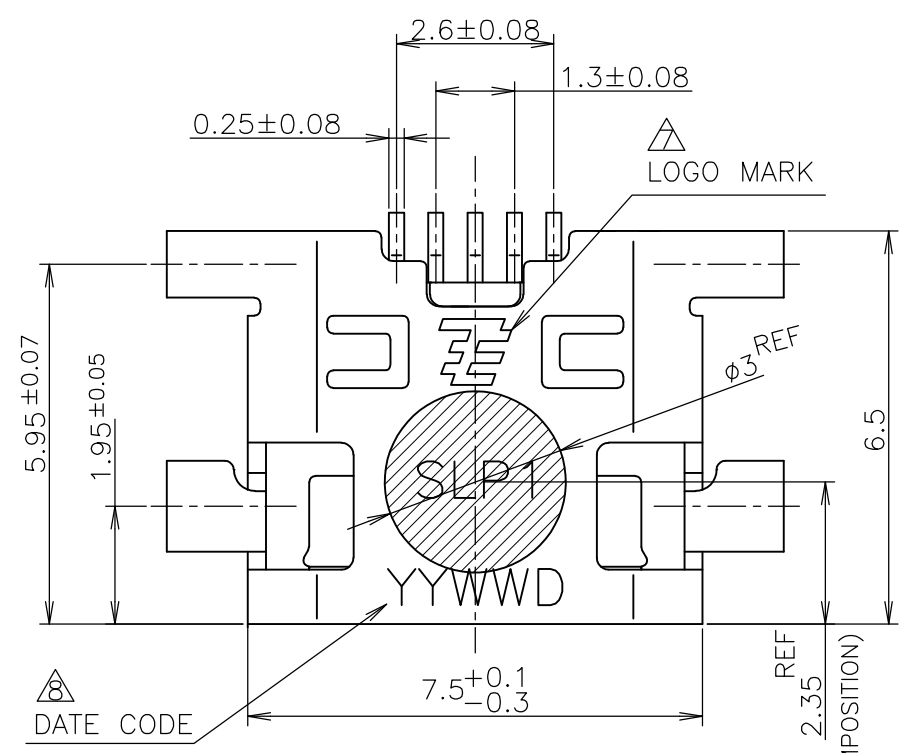


THIS DRAWING IS UNPUBLISHED. RELEASED FOR PUBLICATION JUL ,2011.  
 © COPYRIGHT 2011 By Tyco Electronics Japan G.K. ALL RIGHTS RESERVED.

LOC	DIST	REVISIONS					
J	/	P	LTR	DESCRIPTION	DATE	DWN	APVD
		A	RELEASED		25JUL2011	C.O	T.K

- 1 GENERAL TOLERANCE: ±0.3
- 2 CONTACT TINE COPLANALITY; 0.08mm MAX
- ③ MATERIAL HOUSING: THERMO PLASTIC RESIN  
CONTACT: COPPER ALLOY  
SHELL: STAINLESS STEEL
- ④ FINISH  
CONTACT; Ni UNDER PLATING ALL OVER  
Au PLATING ON SOLDERING AREA  
Au PLATING ON CONTACT AREA  
SHELL; Ni UNDER PLATING ALL OVER  
Sn PLATING ALL OVER
- 5 PREVENTION OF WRENCHING  
PLEASE HOLD THE TOP AND THE SIDE OF CONNECTOR BY THE CASE.
- 6 PREVENTION OF HITTING DURING PLUG INSERTION  
PLEASE SET THE INSERTION GUIDE ALONG THE MATING SURFACE.
- △ LOGO MARK
- ⑧ DATE CODE: YYWWD  
(YEAR, WEEK, DAY)  
SLP1 (SHIFT, LINE, P1: REVISION CODE)

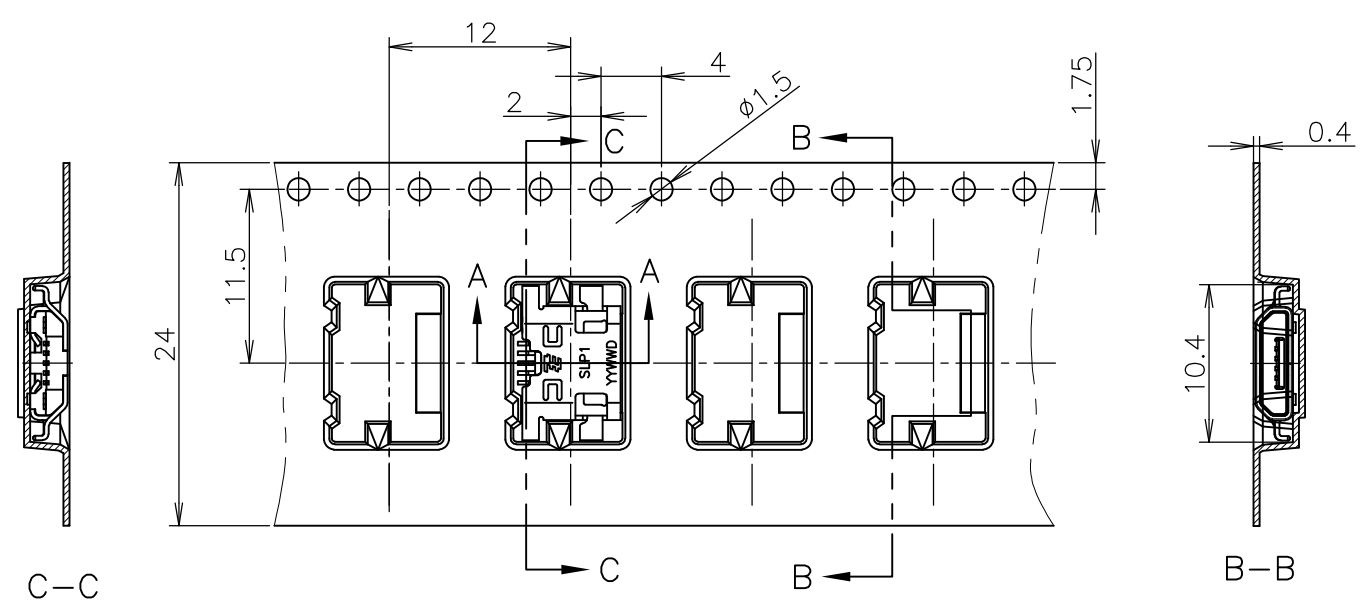
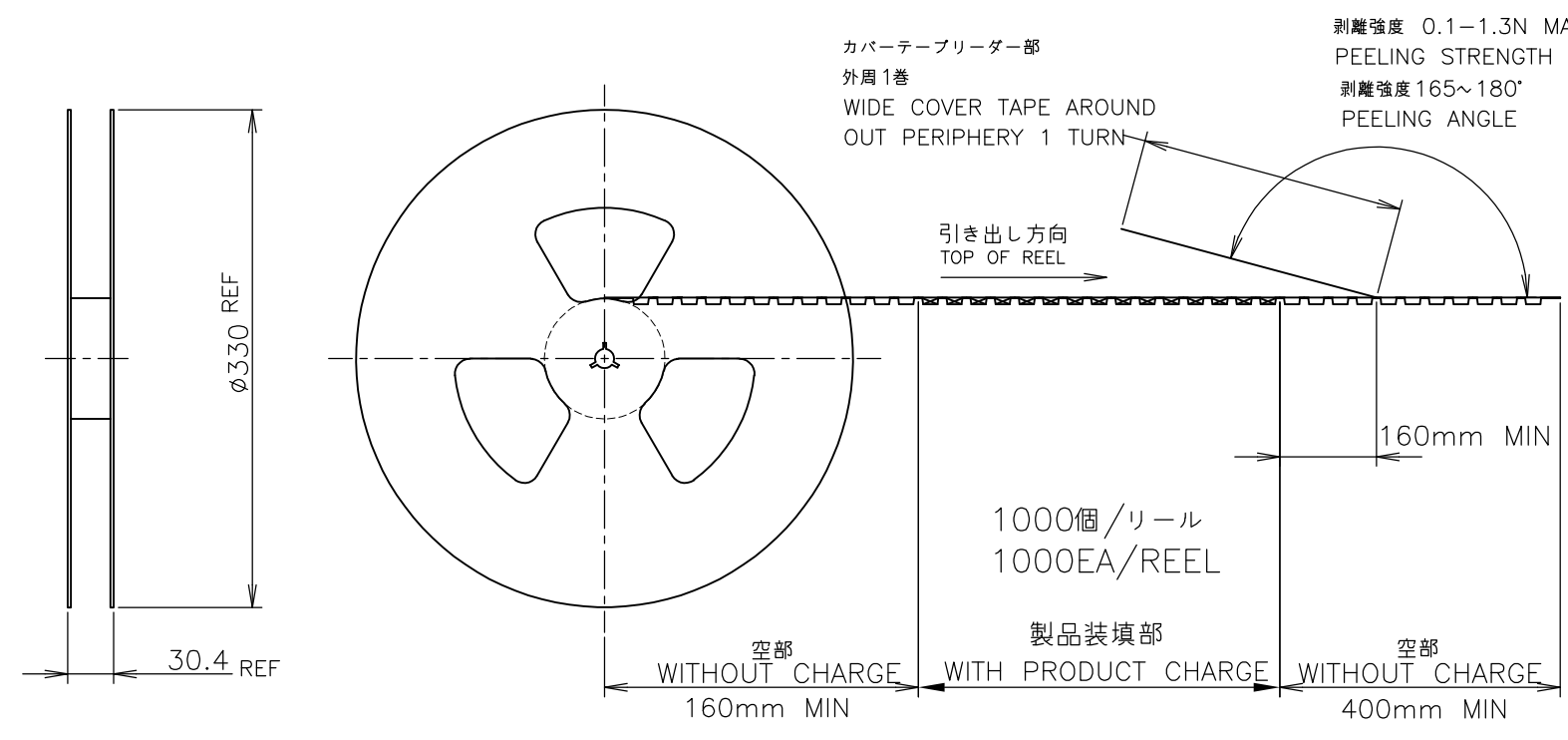


WITH	2134441-2
LASER WELDING	PARTS NUMBER

THIS DRAWING IS A CONTROLLED DOCUMENT.		DWN C.OHASHI 25JUL2011	<b>STE</b> TE Connectivity	
DIMENSIONS: 単位: 耗 mm		CHK A.KUBO 25JUL2011		
TOLERANCES UNLESS OTHERWISE SPECIFIED: 一般公差		APVD T.KUSUHARA 25JUL2011	NAME 名称	
0 PLC ± 0.3		PRODUCT SPEC 製品規格		MICRO USB CONNECTOR MID-MOUNT DIP, FLANGELESS REVERSE TYPE
1 PLC ± 0.3		108-78434		
2 PLC ± 0.3		APPLICATION SPEC 取付適用規格		SIZE
3 PLC ± 0.3		WEIGHT		CAGE CODE
4 PLC ± 0.3		CUSTOMER DRAWING		DRAWING NO
ANGLES ± 3'		SCALE 尺度 8:1		RESTRICTED TO
FINISH 仕上		SHEET 1 OF 2		REV A

THIS DRAWING IS UNPUBLISHED. RELEASED FOR PUBLICATION JUL ,2011.  
 © COPYRIGHT 2011 By Tyco Electronics Japan G.K. ALL RIGHTS RESERVED.

LOC	DIST	REVISIONS		
J	/	P	LTR	DESCRIPTION
				DATE
				DWN
				APVD
				—
				—
				—



THIS DRAWING IS A CONTROLLED DOCUMENT.		DWN	<b>STE</b> TE Connectivity		
DIMENSIONS: 単位: 耗 mm		CHK			
TOLERANCES UNLESS OTHERWISE SPECIFIED: 一般公差		APVD	NAME 名称		
0 PLC ± 0.3		PRODUCT SPEC 製品規格	MICRO USB CONNECTOR		
1 PLC ± 0.3		APPLICATION SPEC 取付適用規格	MID-MOUNT DIP, FLANGELESS		
2 PLC ± 0.3		WEIGHT	SIZE	CAGE CODE	DRAWING NO 番号
3 PLC ± 0.3		CUSTOMER DRAWING	A3	00779	G-2134441
4 PLC ± 0.3			SCALE 尺度	NTS	SHEET 2 OF 2
ANGLES ± 3°		RESTRICTED TO			
FINISH 仕上		—			

单击下面可查看定价，库存，交付和生命周期等信息

[>>TE Connectivity\(泰科\)](#)