

4

3

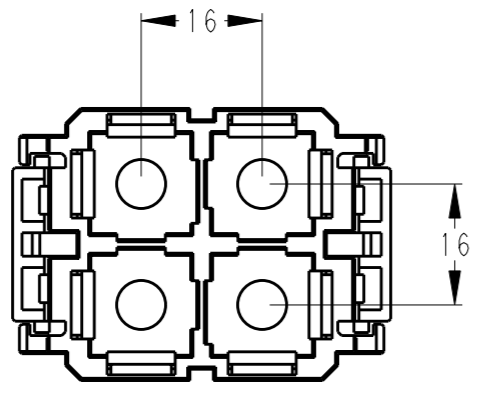
2

1

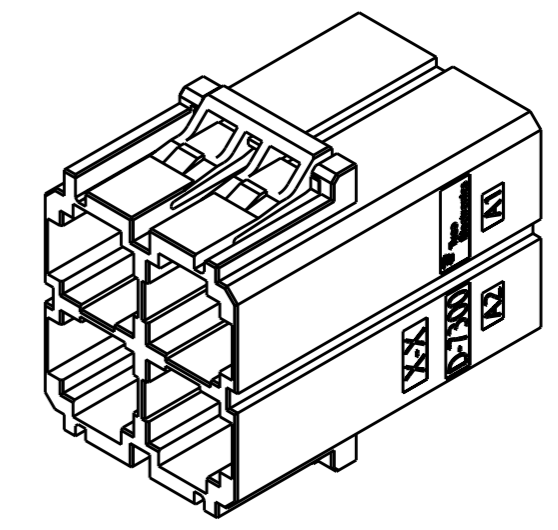
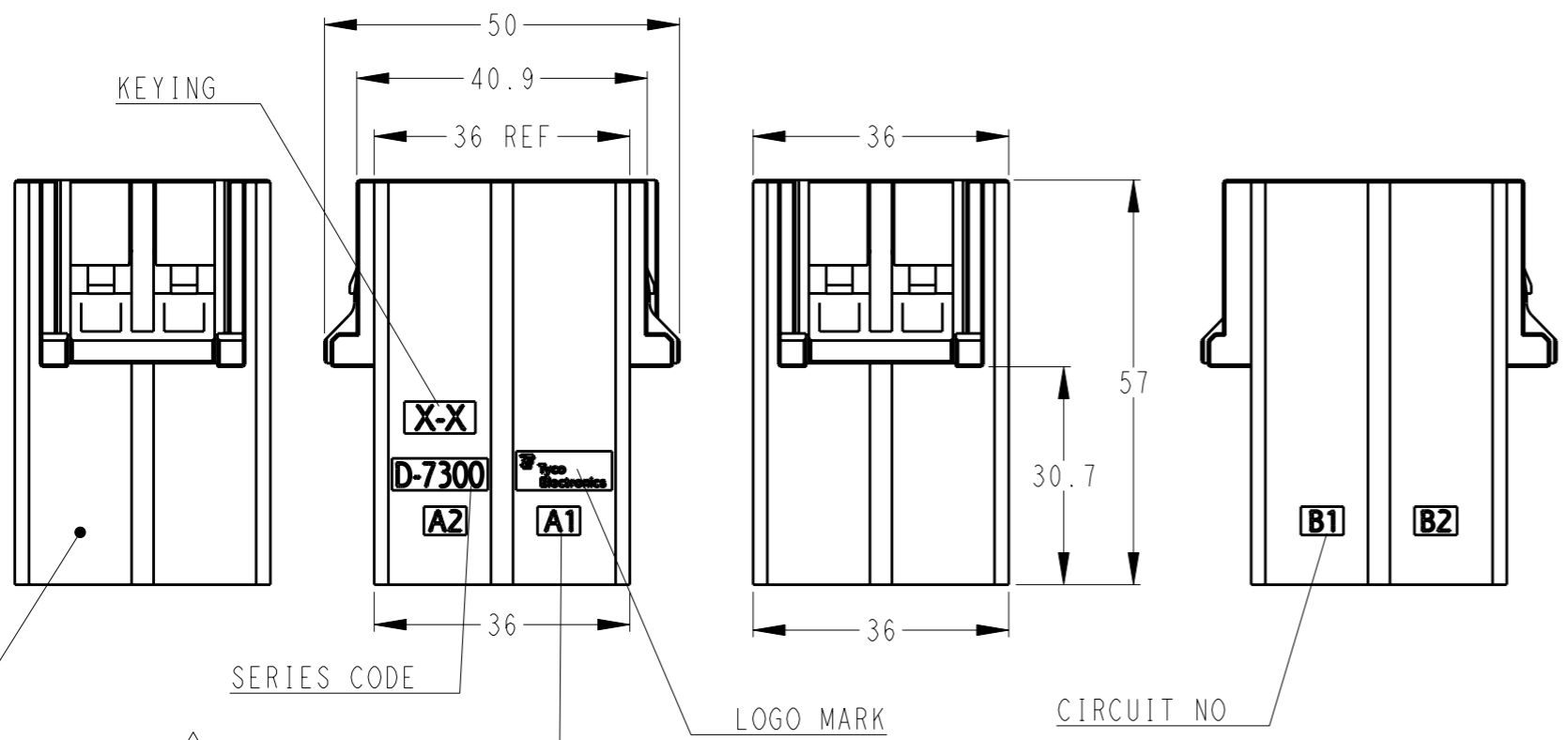
THIS DRAWING IS UNPUBLISHED. RELEASED FOR PUBLICATION 20  
 © COPYRIGHT 20 BY TYCO ELECTRONICS CORPORATION. ALL RIGHTS RESERVED.

LOC	DIST	REVISIONS					
		P	LTR	DESCRIPTION	DATE	DWN	APVD
J	-		B	REVISED PER ECR-10-025568	14DEC2010	M.M	N.Y

AS SHOWN : 2134061-1



1. THE SHAPE, SIZE AND POSITION OF THE CHARACTER SHOW THE OUTLINE. THEY DON'T SHOW DETAILS.
  2. CONTACT OUR SALES ABOUT ANOTHER KEYING PRODUCT.
- △ MATERIAL.



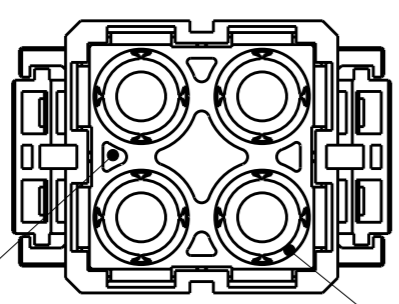
APPLICATED PIN CONTACTS  
 \*-1871131-\*

△ BODY HSG  
 GF THERMOPLASTIC 94V-0

CIRCUIT NO

LOGO MARK

CIRCUIT NO



△ RETENTION PLATE  
 STAINLESS STEEL

△ PLATE COVER HSG  
 GF THERMOPLASTIC 94V-0

THIS DRAWING IS A CONTROLLED DOCUMENT FOR TYCO ELECTRONICS CORPORATION IT IS SUBJECT TO CHANGE AND THE CONTROLLING ENGINEERING ORGANIZATION SHOULD BE CONTACTED FOR THE LATEST REVISION.

DIMENSIONS:	TOLERANCES UNLESS OTHERWISE SPECIFIED:
mm	± 1.0, ± 5°
	0 PLC ±
	1 PLC ±
	2 PLC ±
	3 PLC ±
	4 PLC ±
	ANGLES ±
MATERIAL	FINISH
△	NONE

DWN	M. MAEBASHI	31 JUL 2010
CHK	N. YAMASAKI	31 JUL 2010
APVD	N. YAMASAKI	31 JUL 2010
PRODUCT SPEC	108-78470	
APPLICATION SPEC	114-5452	
WEIGHT	-	
CUSTOMER DRAWING		

		Tyco Electronics Corporation Kawasaki, Japan	
NAME DYNAMIC D7300 16.0mm PITCH PIN HOUSING ASSEMBLY REVERSE 4 POS			
SIZE	CAGE CODE	DRAWING NO	RESTRICTED TO
A3	00779	C-2134061	-
SCALE		SHEET	OF
1:1		1	1
REV			B

单击下面可查看定价，库存，交付和生命周期等信息

[>>TE Connectivity\(泰科\)](#)