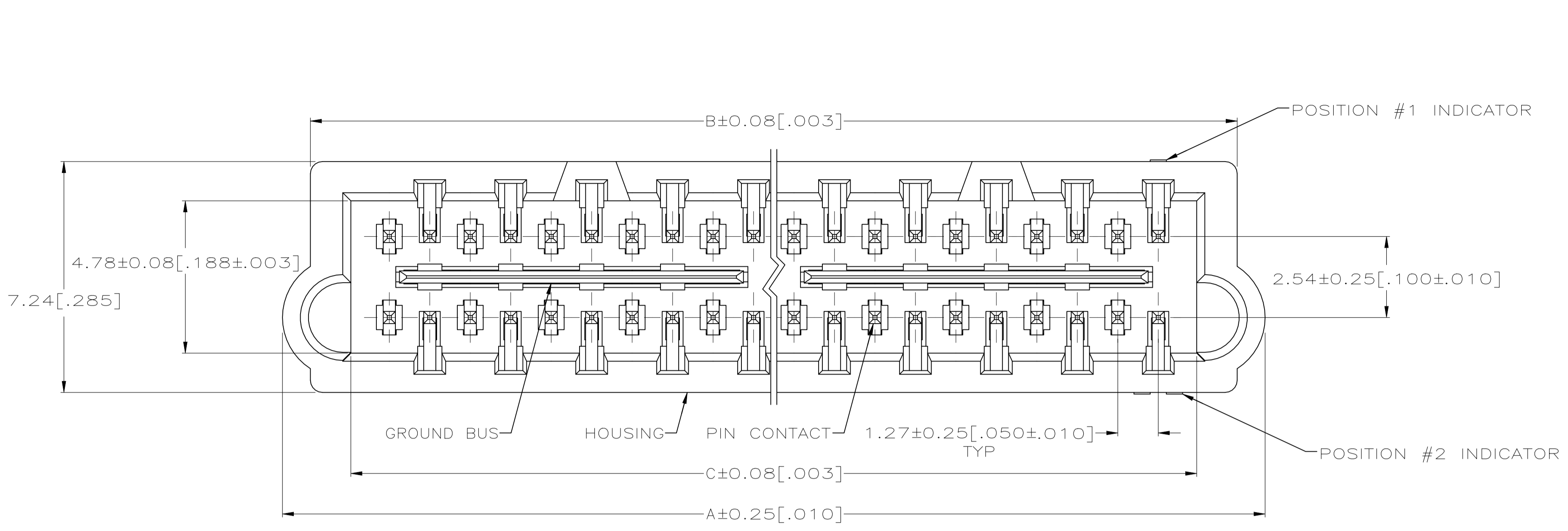
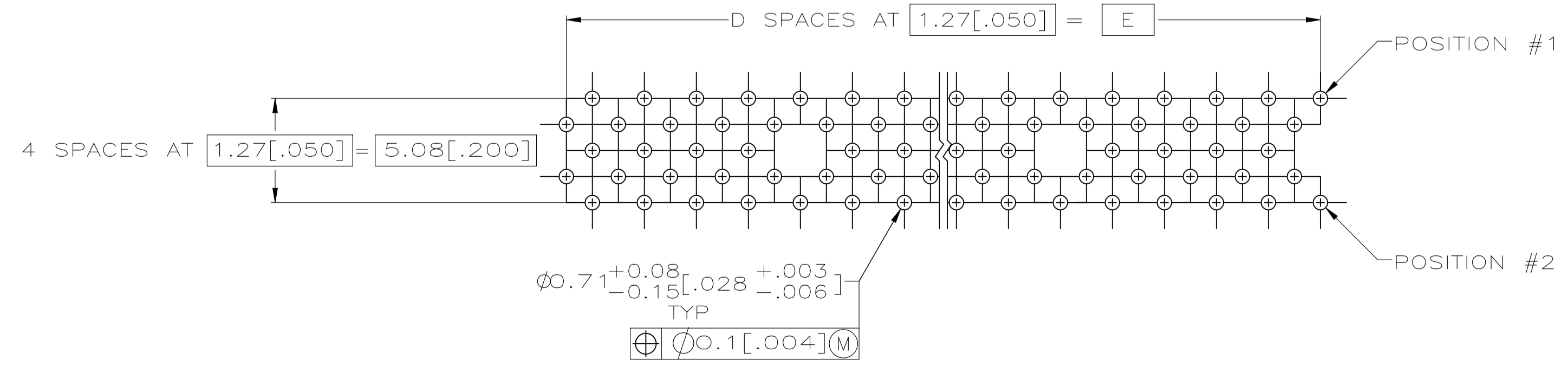
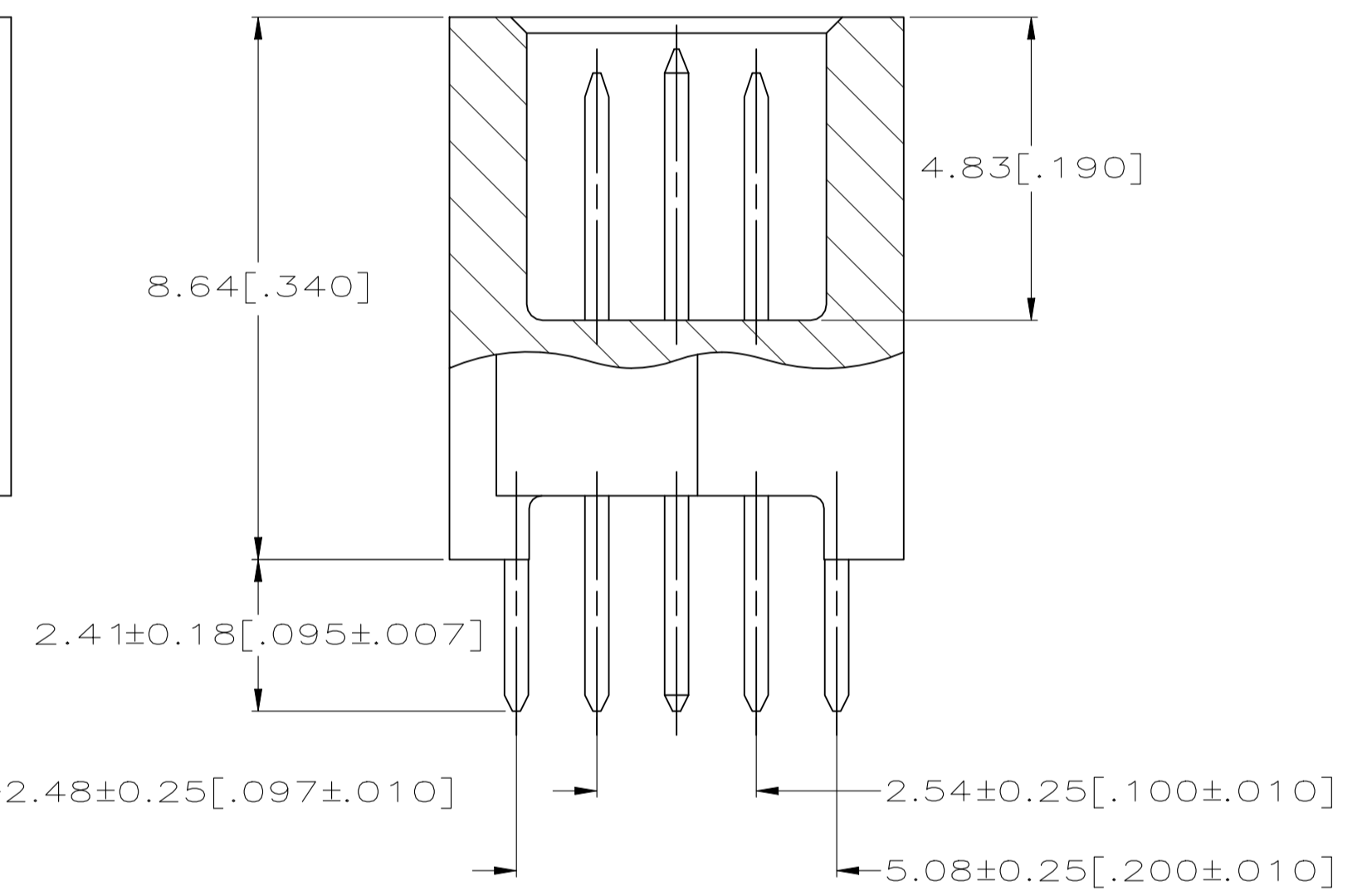
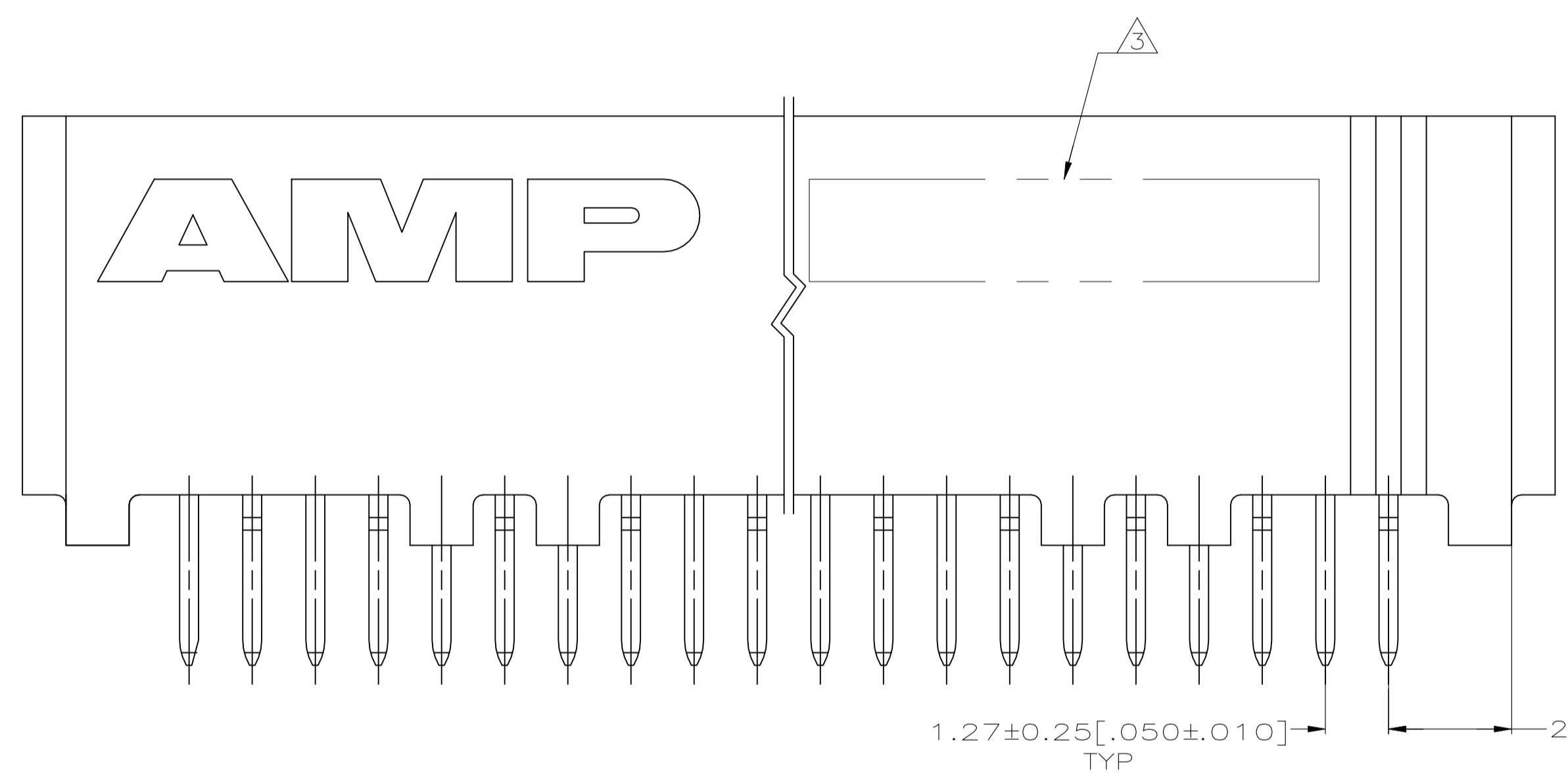


REVISIONS					
REV	DESCRIPTION	DATE	BY	APP'D	REV
R	REVISED PER ECO-20-011414	05JAN2021	AP	SY	



- 1 HOUSING: HIGH TEMPERATURE THERMOPLASTIC, COLOR NATURAL.
PIN CONTACTS: PHOSPHOR BRONZE.
GROUND BUSES: PHOSPHOR BRONZE.
- 2 CONTACTS & GROUND BUSES: 0.00076(.000030) MIN. GOLD PER ASTM B 488 ON CONTACT AREA, 0.00254-0.00762(.000100-.000300) MATTE TIN PER ASTM B 545 ON SOLDER TAIL, ALL OVER 0.00127-0.00254(.000050-.000100) MATTE NICKEL PER SAE AMS-QQ-N-290 ON ENTIRE CONTACT.
- 3 DATE CODE MARKED IN AREA INDICATED.



OBSOLETE	151.13 [5.950]	119	153.62 [6.048]	156.08 [6.145]	157.84 [6.214]	240	1-5536280-1
OBSOLETE	125.73 [4.950]	99	128.22 [5.048]	130.68 [5.145]	132.44 [5.214]	200	5536280-9
OBSOLETE	113.03 [4.450]	89	115.52 [4.548]	117.98 [4.645]	119.74 [4.714]	180	5536280-8
OBSOLETE	100.33 [3.950]	79	102.82 [4.048]	105.28 [4.145]	107.04 [4.214]	160	5536280-7
OBSOLETE	87.63 [3.450]	69	90.12 [3.548]	92.58 [3.645]	94.34 [3.714]	140	5536280-6
OBSOLETE	74.93 [2.950]	59	77.42 [3.048]	79.88 [3.145]	81.64 [3.214]	120	5536280-5
	62.23 [2.450]	49	64.72 [2.548]	67.18 [2.645]	68.94 [2.714]	100	5536280-4
OBSOLETE	49.53 [1.950]	39	52.02 [2.048]	54.48 [2.145]	56.24 [2.214]	80	5536280-3
OBSOLETE	36.83 [1.450]	29	39.32 [1.548]	41.78 [1.645]	43.54 [1.714]	60	5536280-2
OBSOLETE	24.13 [.950]	19	26.62 [1.048]	29.08 [1.145]	30.84 [1.214]	40	5536280-1
	E	D	C	B	A	NO OF POS	PART NUMBER

THIS DRAWING IS A CONTROLLED DOCUMENT.

DIMENSIONS: mm [INCHES]	TOLERANCES UNLESS OTHERWISE SPECIFIED:	DIN G ATTADIA 01-19-05	DATE	BY	APP'D
	0 PLC ± -	01-19-05			
	1 PLC ± -				
	2 PLC ± -				
	3 PLC ± 0.13 [.005]				
	4 PLC ± -				
	ANGLES ± -				
MATERIAL	FINISH	APPROVED D DIXON 01-19-05	NAME	TE Connectivity	
		PRODUCT SPEC	NAME	PLUG ASSEMBLY, 10.92[.430] STACK, 2.41[.095] SOLDER TAIL.	
		APPLICATION SPEC	SIZE	CAGE CODE	DRAWING NO
		114-11005	A1	00779	5536280
		WEIGHT 0.000000	SCALE	SHEET	REV
		CUSTOMER DRAWING	10:1	1 of 1	

单击下面可查看定价，库存，交付和生命周期等信息

[>>TE Connectivity\(泰科\)](#)