

THIS DRAWING IS UNPUBLISHED.

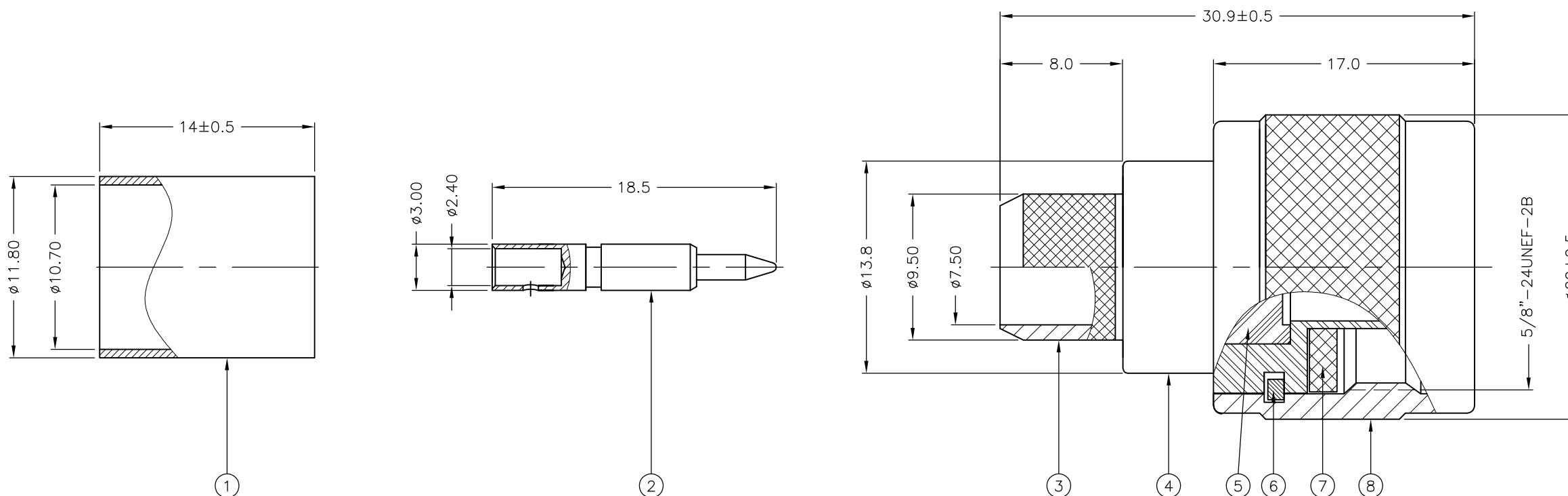
RELEASED FOR PUBLICATION SEP , 2005.

REVISIONS

© COPYRIGHT 2005 By -

ALL RIGHTS RESERVED.

P	LTR	DESCRIPTION	DATE	DWN	APVD
	D	ECR-14-019316	31DEC2014	RZ	MY



NOTES:

1 SINGLE PACKING: ONE CONNECTOR PER LABELED BAG PACKAGED. LABELED PER TEC-107-115

2 TRAY PACKAGED

3 Ag PLATING

4 PASSIVATION

5 THIS ITEM MUST BE WHITE

6 HAND TOOL: 9-1478239-0

7 ELECTRICAL CHARACTERISTICS

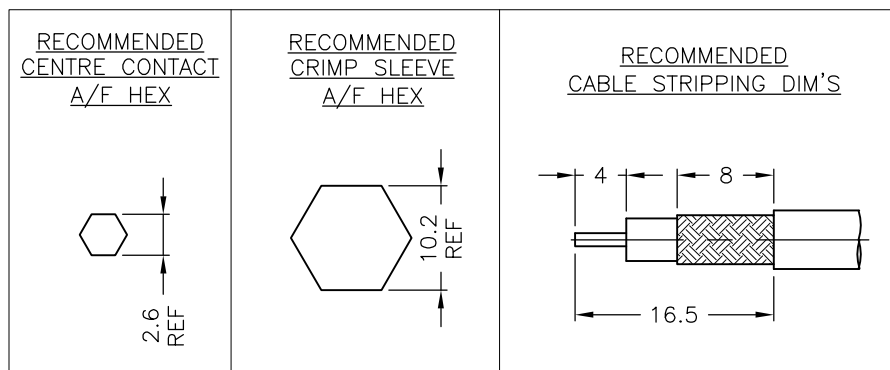
FREQUENCY RANGE:	DC - 11 GHz
NOMINAL IMPEDANCE:	50 Ohm
INSULATION RESISTANCE:	5000 MOhm
WORKING VOLTAGE:	1000 Volts RMS at Sea Level
DIELECTRIC WITHSTAND VOLTAGE:	2500 Volts RMS Max
CONTACT RESISTANCE:	
CENTER CONTACT:	1.00 mOhm Max
OUTER CONTACT:	1.00 mOhm Max
VSWR @ 4GHz:	1.30:1 Max
INSERTION LOSS dB @ x 4 GHz:	0.30 Max

8 MECHANICAL CHARACTERISTICS

COUPLING NUT RETENTION FORCE:	445N Min
CABLE RETENTION FORCE:	350N Min
DURABILITY:	500 Cycles Min

9 ENVIRONMENTAL CHARACTERISTICS

OPERATING TEMPERATURE: -65 to +165 DegC



QTY	QTY	MATERIAL	DESCRIPTION	ITEM
1	1	BRASS	SHELL	8
1	1	SILICON RUBBER	GASKET	7
1	1	STAINLESS STEEL	CIRCLIP	6
1	1	PTFE	INSULATION	5
1	1	BRASS	BODY	4
1	1	BRASS	OUTER CONTACT	3
1	1	BRASS	CONTACT	2
1	1	BRASS	FERRULE	1
6--0	1--0	MATERIAL	DESCRIPTION	ITEM
2	1			

THIS DRAWING IS A CONTROLLED DOCUMENT.

DWN J.SANDWELL 21SEP05
CHK S.PARLOW 21SEP05
APVD F.WHEELER-KING 21SEP05

PRODUCT SPEC 108-112000
APPLICATION SPEC 411-3247
WEIGHT -

STE TE Connectivity

NAME TYPE-N STRAIGHT PLUG CRIMP 50 OHM
PSF 1/4, RG8A/U, 213/U, URM67, KX4

SIZE A3 CAGE CODE 00779 DRAWING NO C-1337410 RESTRICTED TO -

CUSTOMER DRAWING SCALE NTS SHEET 1 OF 1 REV D

单击下面可查看定价，库存，交付和生命周期等信息

[>>TE Connectivity\(泰科\)](#)