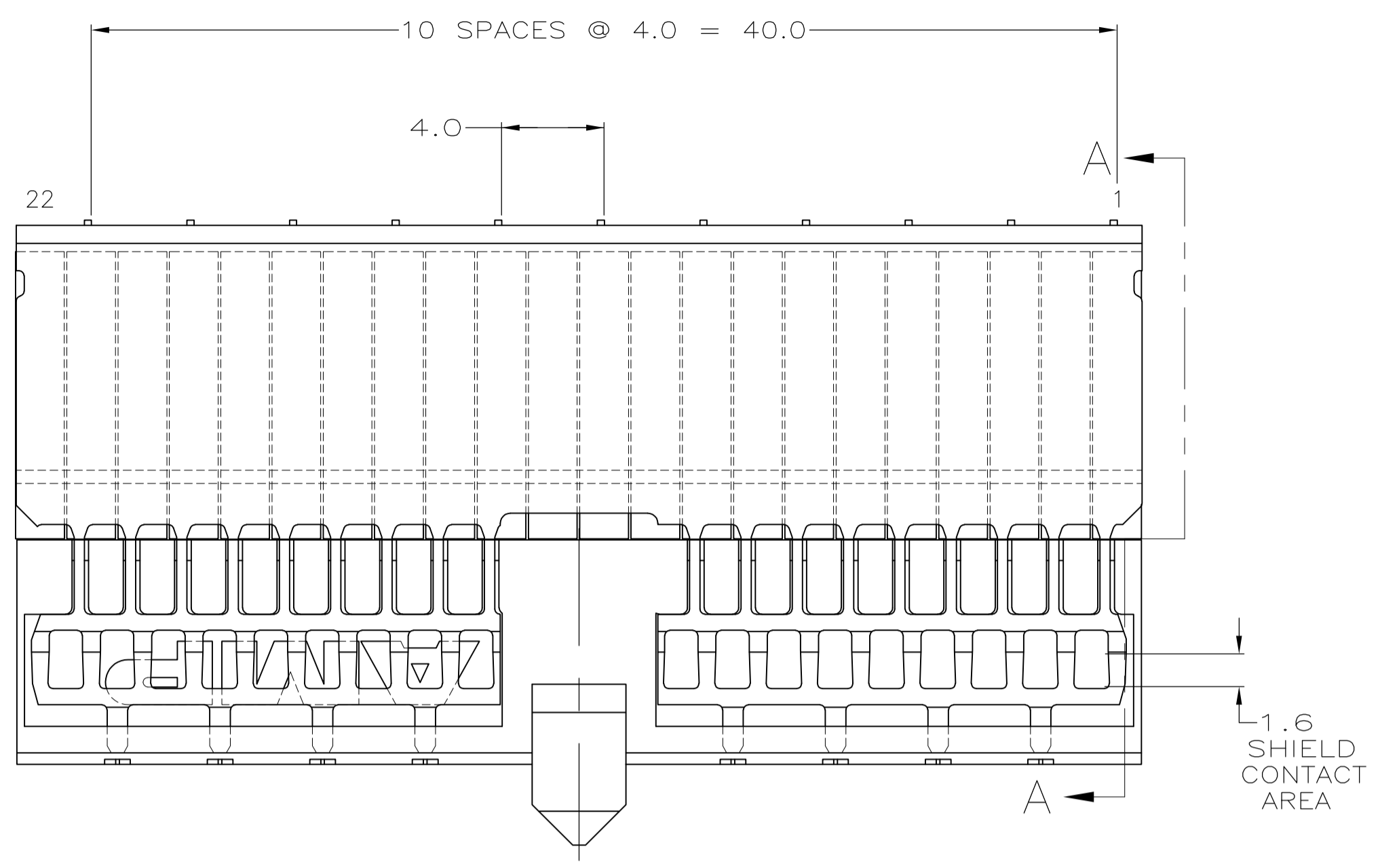
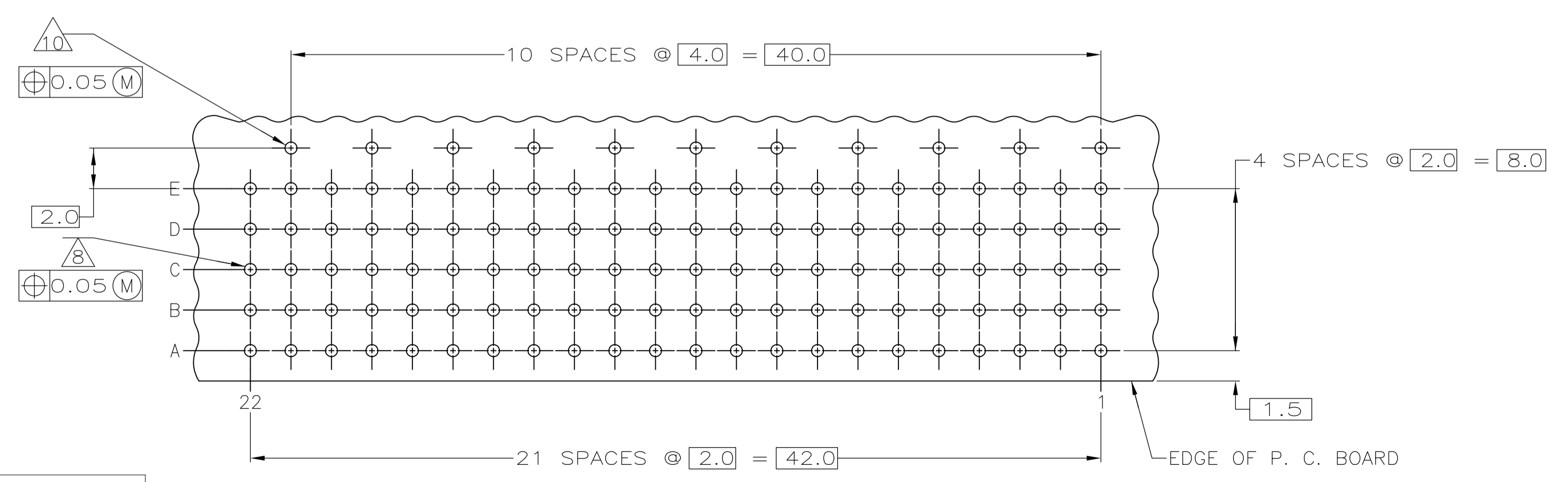
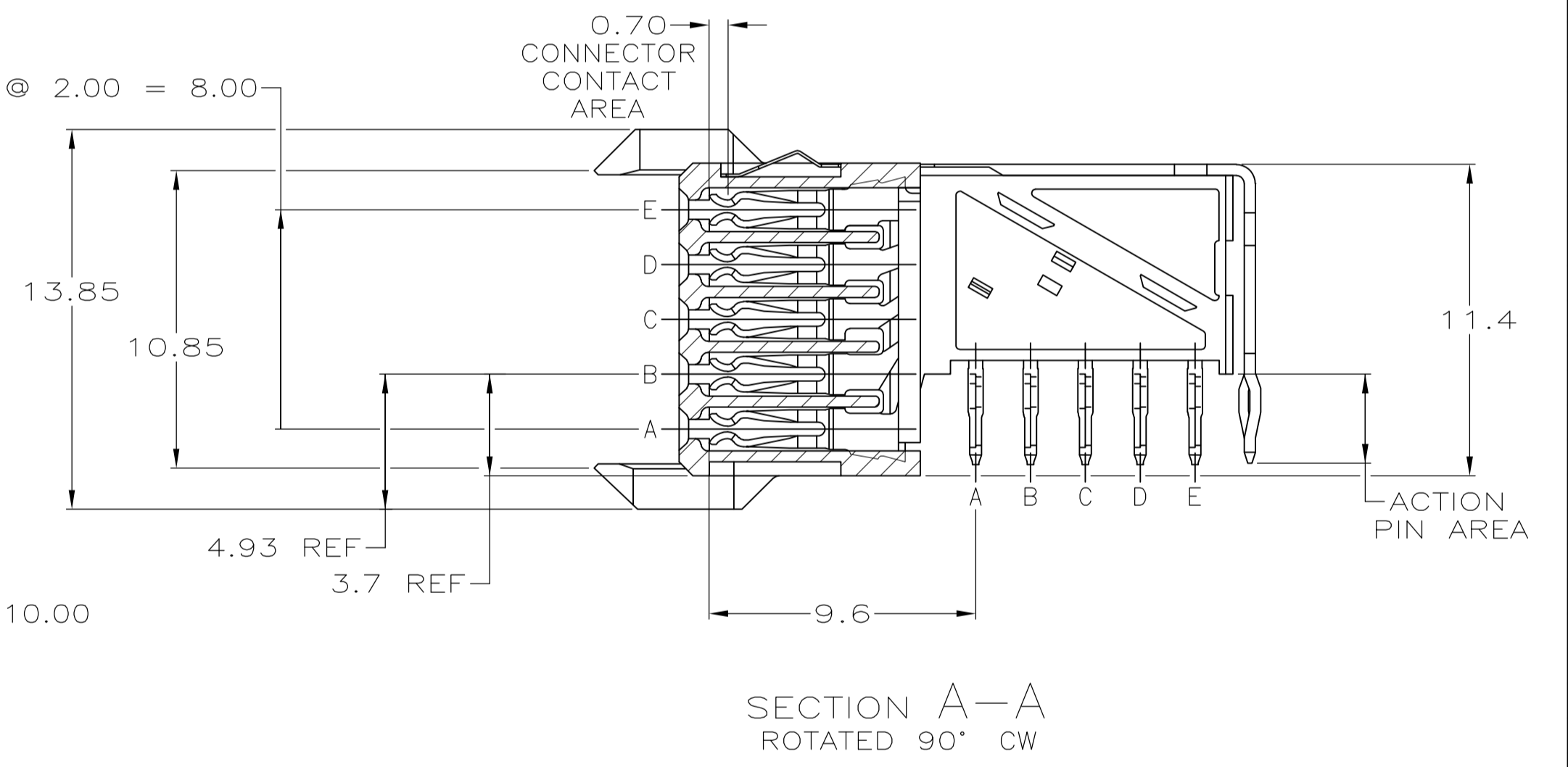
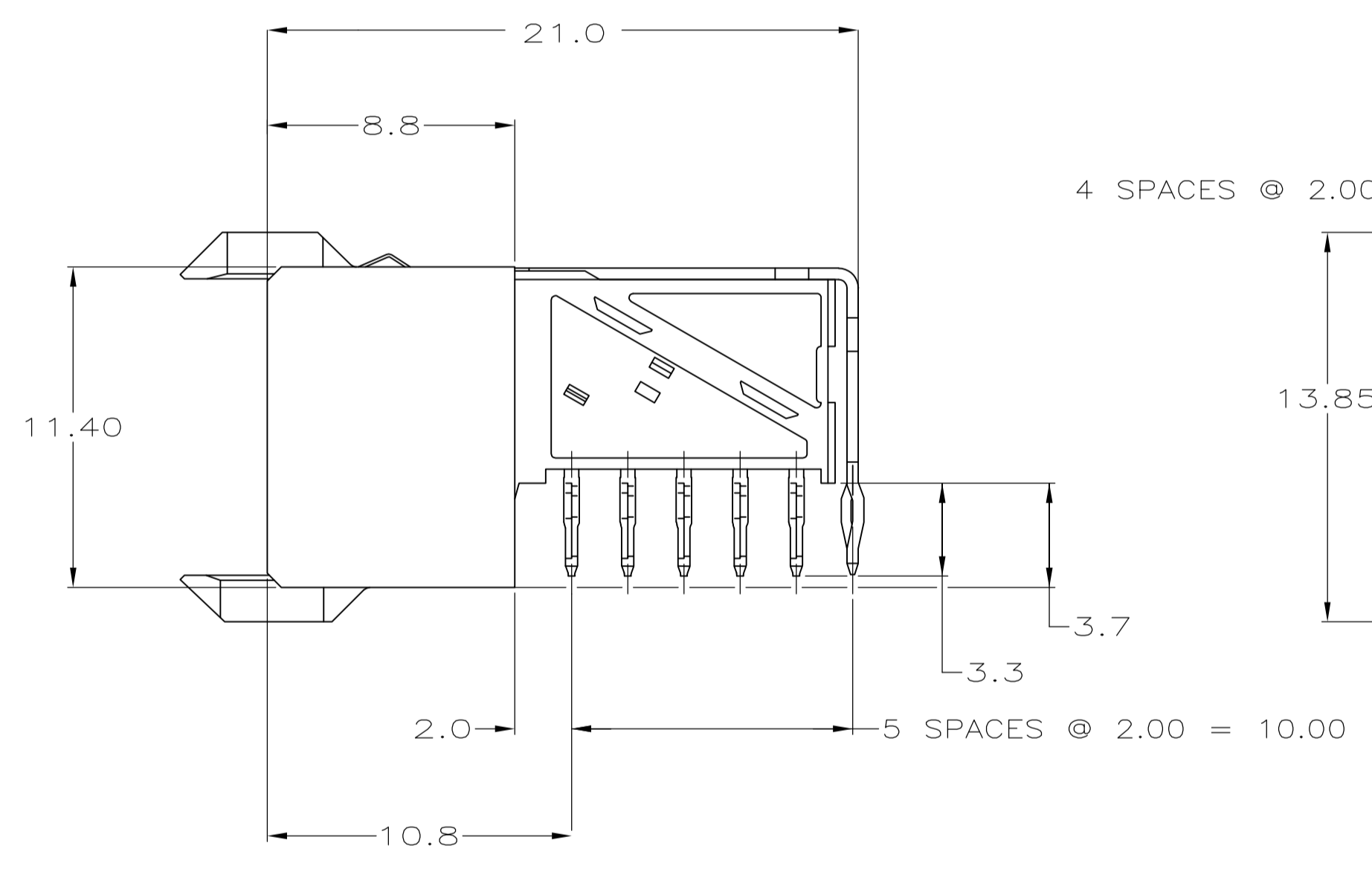
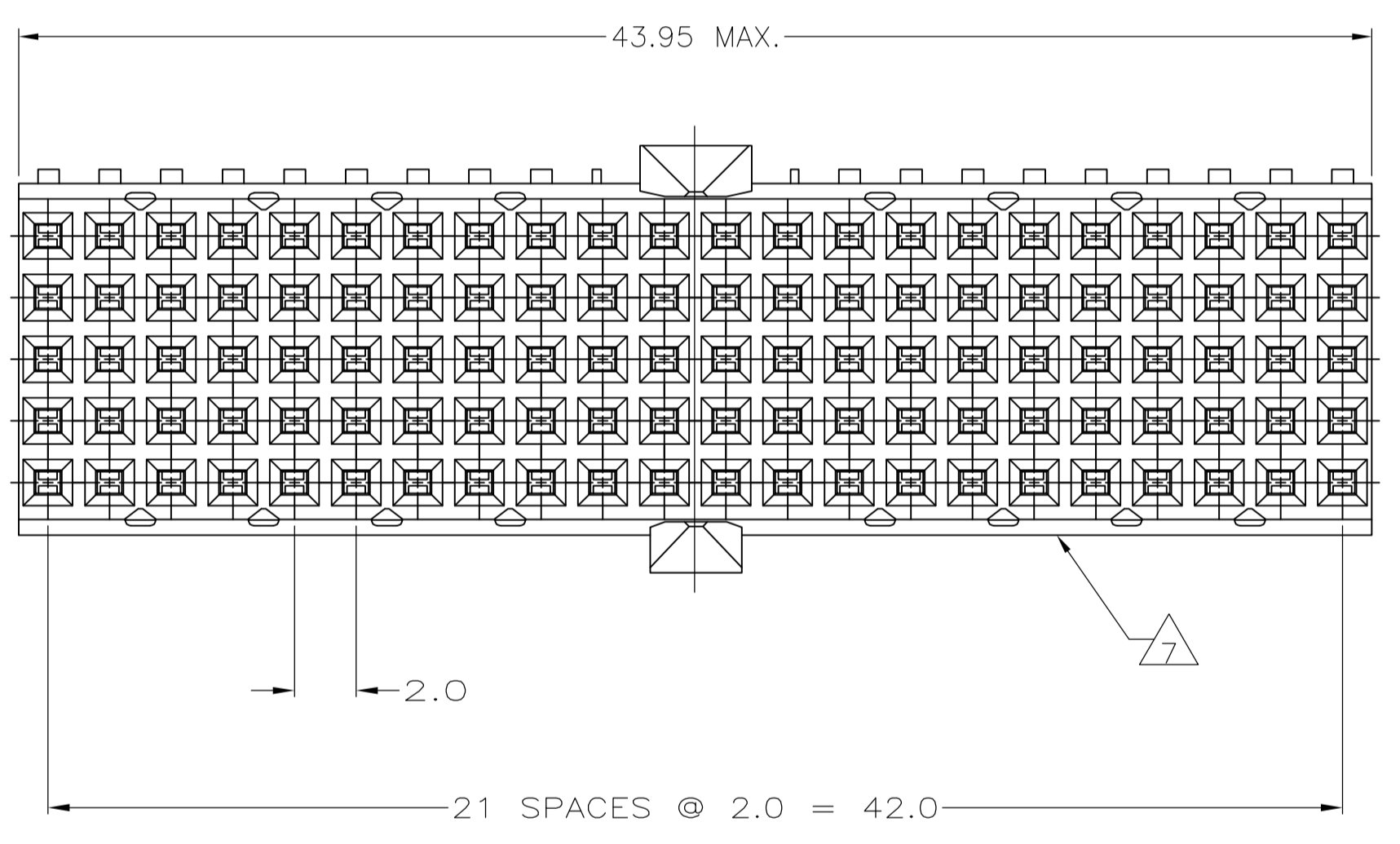


LOC	DIST	REVISIONS			
F	LTR	DESCRIPTION	DATE	DMN	APVD
A1	ECR-07-030919		21DEC2007	JvH	BM
B	ECR-10-018652		10SEP10	SW	MQW
C	ECO-11-024491		13DEC11	SY	MQW



- 1 MATERIAL:
CONTACT: PHOSPHOR BRONZE.
HOUSING: GLASS-FILLED POLYESTER.
- 2 GENERAL PLATING SPECIFICATION: UNDERPLATING
(ENTIRE CONTACT): 1.27µm MIN NICKEL AND ACTION
PIN: 0.5µm MIN TIN.
FOR PLATING OF MATING SURFACES SEE APPLICABLE SPECIFICATION REFERENCE FOR EACH DASH NUMBER.
- 3 CONFORMS TO ALL TESTING ACCORDING TO IEC 61076-4-101 PERFORMANCE LEVEL 2.
- 4 CONFORMS TO ALL TESTING ACCORDING TO IEC 61076-4-101 PERFORMANCE LEVEL 1.
- 5 CONNECTOR TESTED AND QUALIFIED AGAINST TELCORDIA GR-1217-CORE QUALITY LEVEL 3, CENTRAL OFFICE APPLICATIONS.
- 6 CONNECTOR TESTED AND QUALIFIED AGAINST TELCORDIA GR-1217-CORE QUALITY LEVEL 3, UNCONTROLLED ENVIROMENT APPLICATIONS.
- 7 CONNECTOR MARKED WITH PART NUMBER AND DATE CODE. ADDITIONAL CHARACTERS OR MARKINGS, AS WELL AS THE LOCATION OF THE MARKINGS, MAY BE ADDED FOR TRACEABILITY BASED UPON MANUFACTURERS DISCRETION.
- 8 PLATED-THROUGH HOLES AT 2x2mm SQUARE GRID PATTERN DEFINED BY CONTACT LAYOUT.
- 9 CONNECTOR LUBRICATED WITH BELCORE APPROVED LUBRICANT, TECHNICAL REFERENCE: TR-NWT-001217 ISSUE 1, SEP 1992.
- 10 10 PLATED THROUGH HOLES FOR UPPER SHIELD, ROW F.
11. SHIELD MOUNTED TO CONNECTOR WITH DOUBLE SIDED ADHESIVE TAPE OR ADHESIVE.



PLATED THRU HOLES PARAMETERS
 REFERENCE APPLICATION SPECIFICATION

RECOMMENDED PCB-HOLE LAYOUT
 COMPONENT SIDE SHOWN
 SCALE 2.5:1

2 6 9	1-5646489-9
2 5 9	5646489-9
2 4	5646489-4
2 3	5646489-1
FINISH	PART NUMBER

THIS DRAWING IS A CONTROLLED DOCUMENT.		DIN B. CARDO 29MAR05	Tyco Electronics Corporation 's-Hertogenbosch, Nederland	
DIMENSIONS: mm		CIK G. SKIPPER 29MAR05	APVD G. SKIPPER 29MAR05	
TOLERANCES UNLESS OTHERWISE SPECIFIED:		NAME RECEPTACLE ASSEMBLY, Z-PACK 2mm HM, TYPE A/B, PRE-SHIELDED, 110 POSITION		
0-PLG ±		SIZE A1		
1-PLG ±0.2		CAGE CODE 00779		
2-PLG ±0.02 ±0.2		DRAWING NO. 5646489		
3-PLG ±		WEIGHT		
4-PLG ±		CUSTOMER DRAWING		
ANGLES ±		SCALE 5:1		
FINISH SEE TABLE		SHEET 1 OF 1		
MATERIAL 1		REV C		

单击下面可查看定价，库存，交付和生命周期等信息

[>>TE Connectivity\(泰科\)](#)