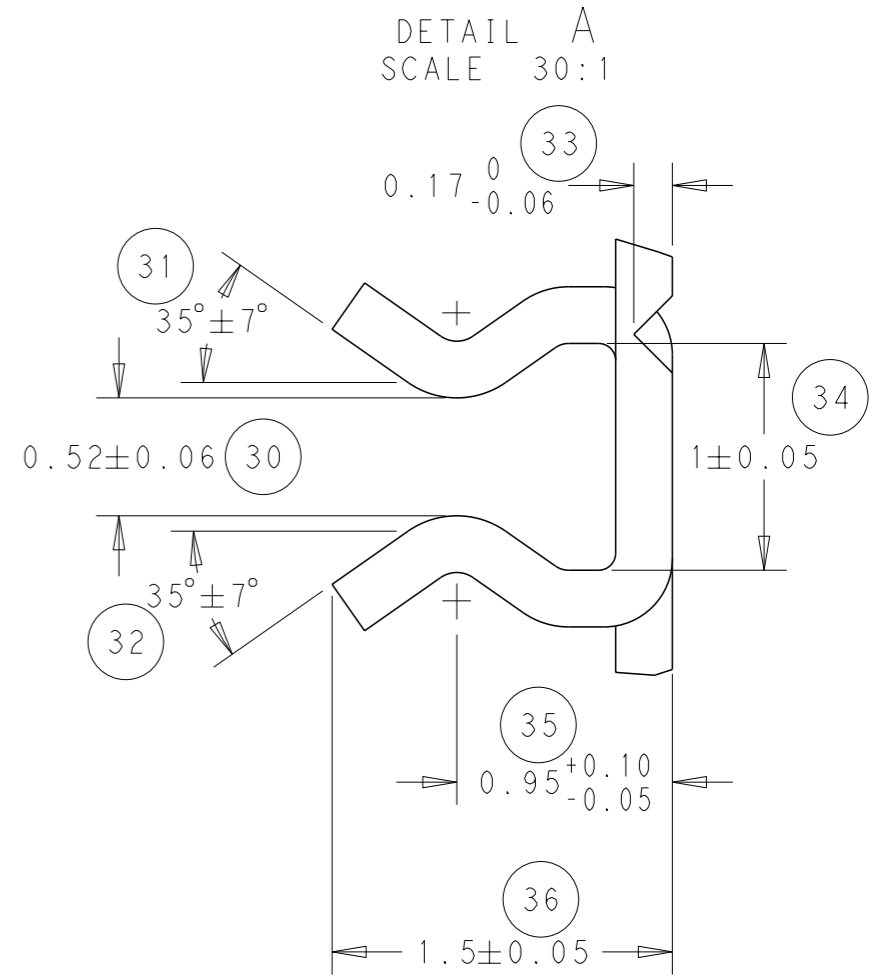
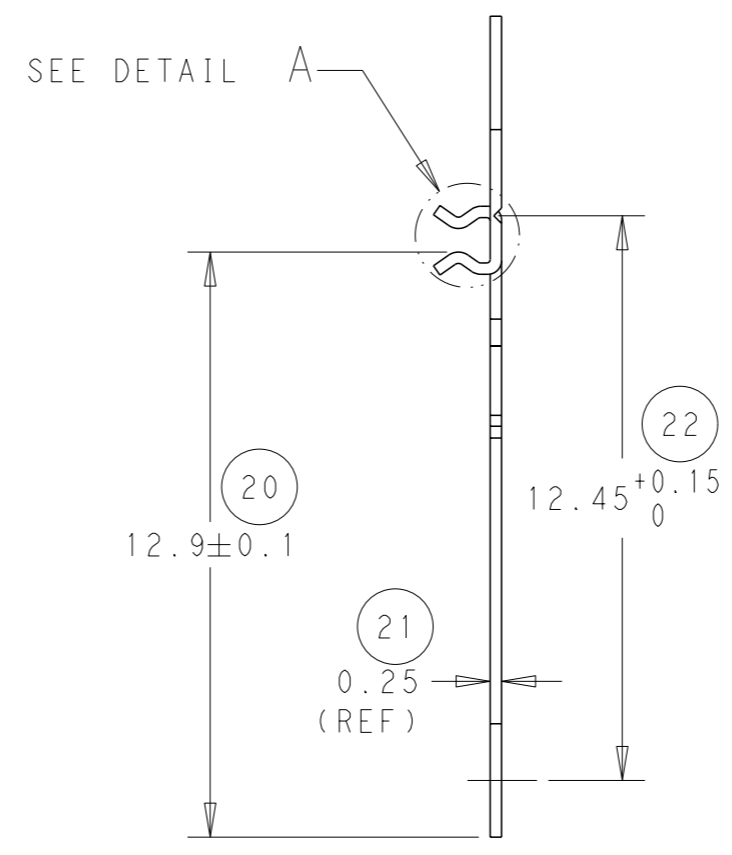
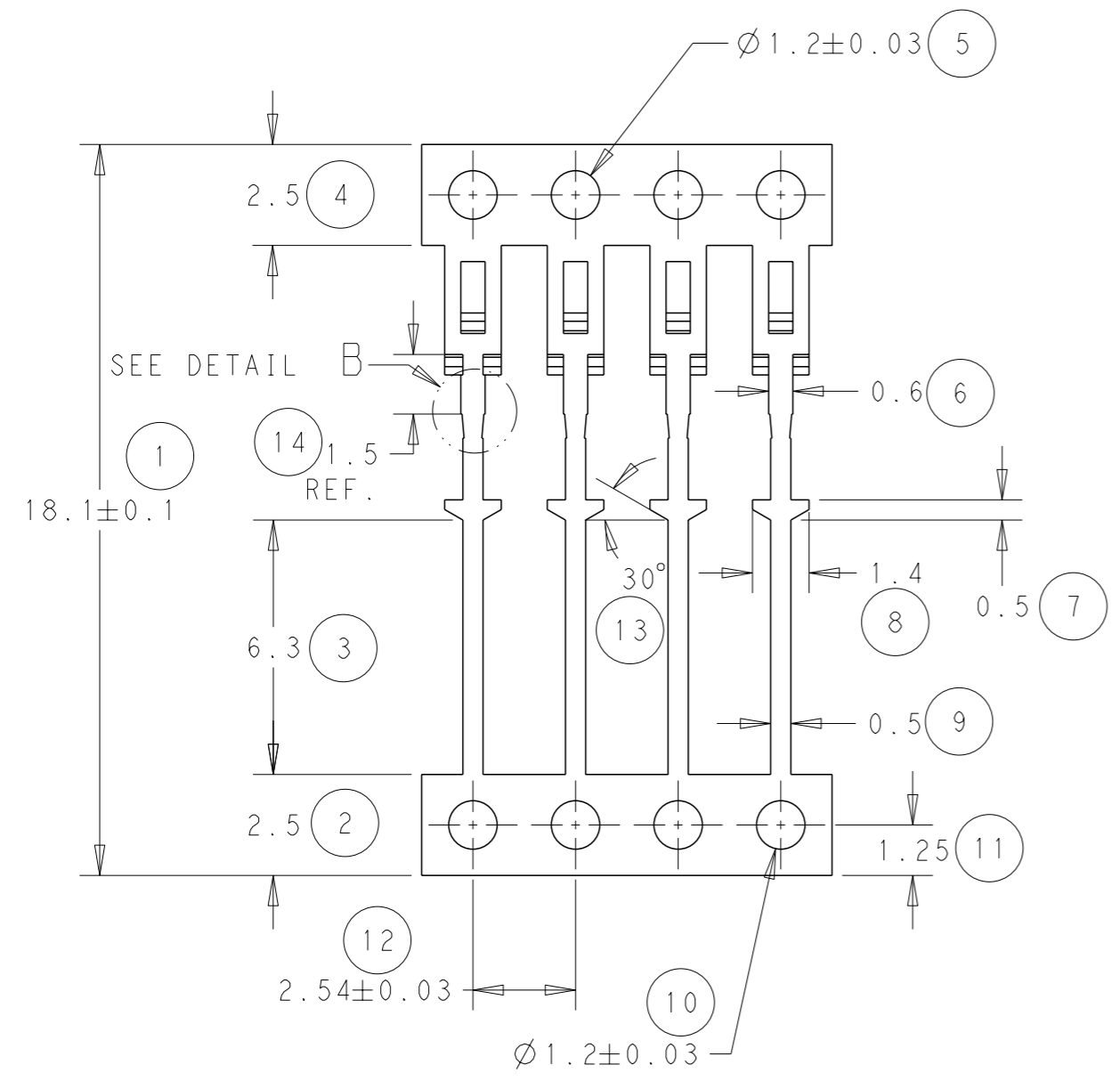
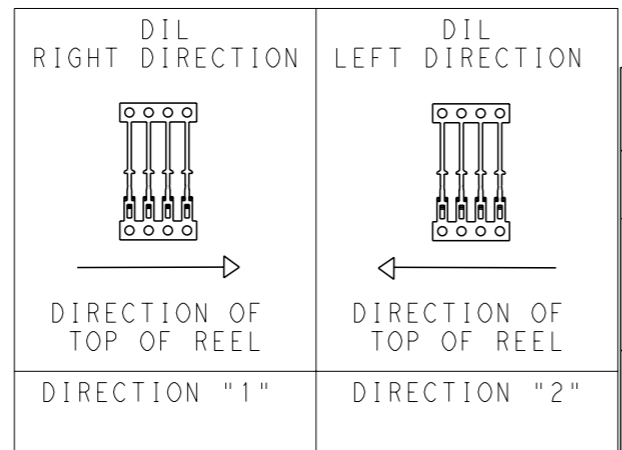
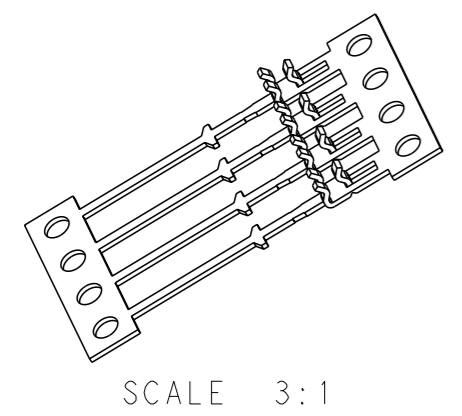


THIS DRAWING IS UNPUBLISHED. RELEASED FOR PUBLICATION 2011
 © COPYRIGHT 2011 ALL RIGHTS RESERVED.

LOC	DIST	REVISIONS				
P	LTR	DESCRIPTION	DATE	DWN	APVD	
AI	-	E	ECR-11-02470	07DEC2011	JB	MG



NOTE
 BOWING: AFTER UPPER TIE BAR REMOVAL-1.5mm MAX. FOR 500mm
 PITCH: AFTER UPPER TIE BAR REMOVAL-2.54±0.127
 INTERIOR RADS 0.1mm TYPICAL



THIS DRAWING IS A CONTROLLED DOCUMENT.

DIMENSIONS:	TOLERANCES UNLESS OTHERWISE SPECIFIED:
mm	0 PLC ±-
	1 PLC ±-
	2 PLC ±0.05
	3 PLC ±-
	4 PLC ±-
	ANGLES ±1°
MATERIAL	FINISH
-	-

DWN	07/12/2011
J. BRIGHT	
CHK	07/12/2011
M. GREENER	
APVD	-
PRODUCT SPEC	-
APPLICATION SPEC	-
WEIGHT	-

1	Ni: 112-25-3 (1.27-3 MICRONS) Sn: 112-65-1 (MIN 4 MICRONS)	1544200-2
2	Sn: 112-16-4 (3-7 MICRONS)	1544200-3
1		1544200-1
REELING	FINISH	PART NUMBER
STE TE Connectivity		
DIL LEADFRAME		
SIZE	CAGE CODE	DRAWING NO
A3	00779	C-1544200
CUSTOMER DRAWING		SCALE 6:1
SHEET 1 OF 1		REV E

单击下面可查看定价，库存，交付和生命周期等信息

[>>TE Connectivity\(泰科\)](#)