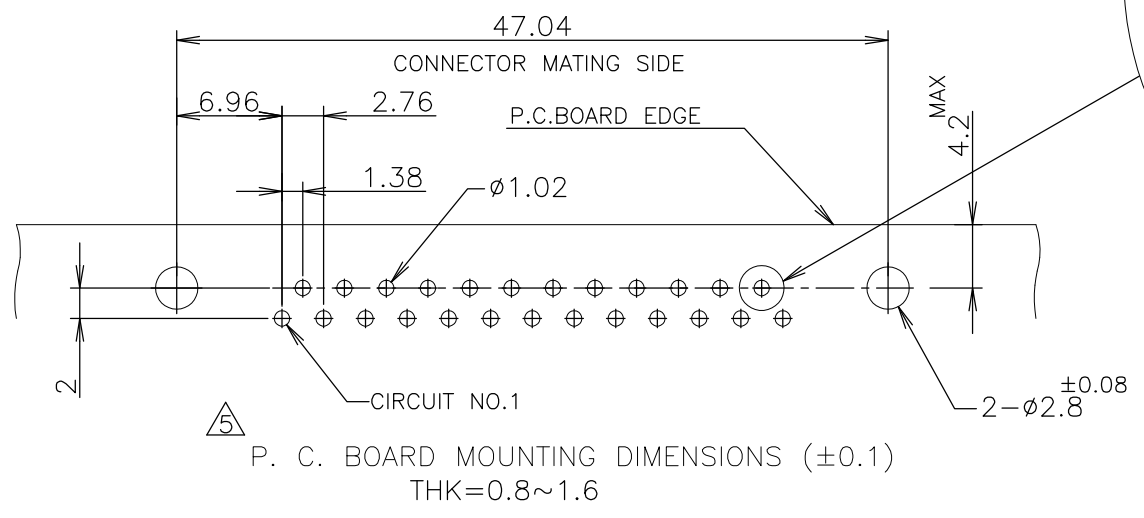
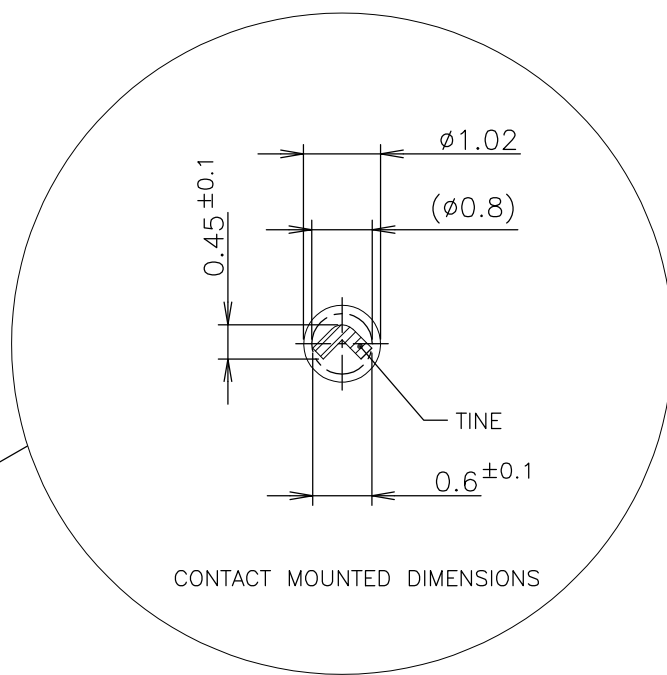
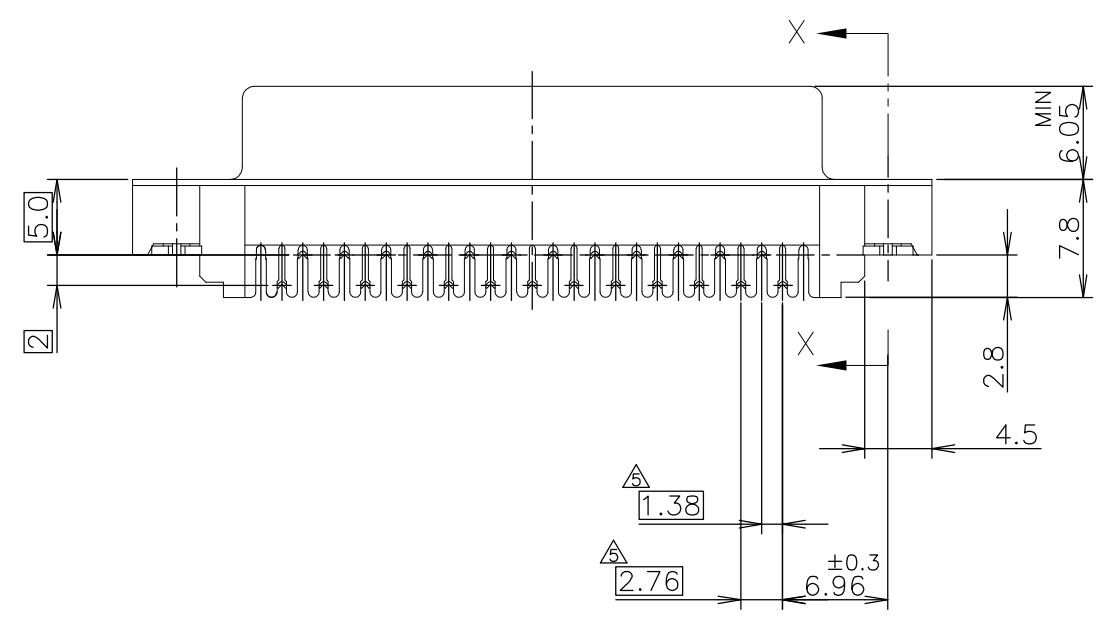
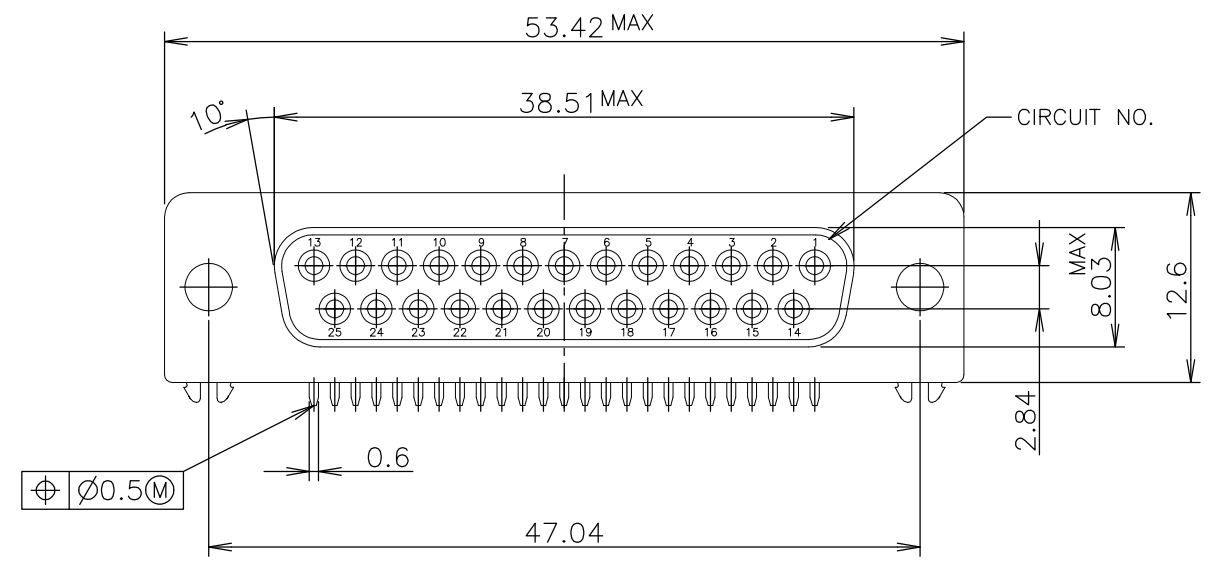
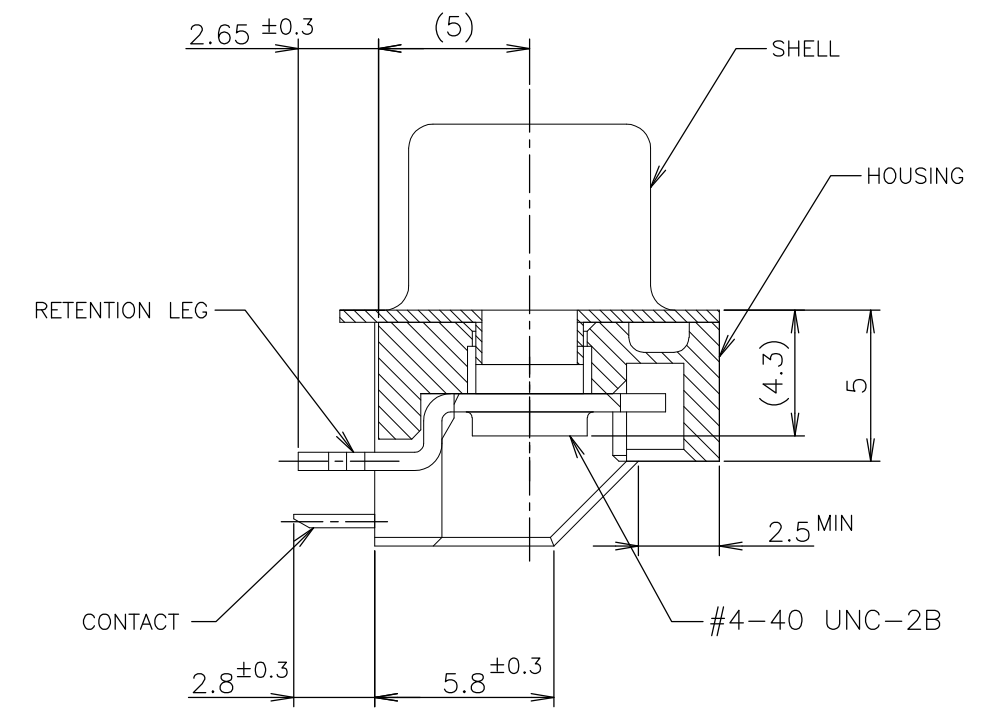


THIS DRAWING IS UNPUBLISHED. RELEASED FOR PUBLICATION JUN ,1994.
 © COPYRIGHT 1994 BY TYCO ELECTRONICS CORPORATION. ALL RIGHTS RESERVED.

LOC	DIST	REVISIONS			
P	LTR	DESCRIPTION	DATE	DWN	APVD
J		A	RELEASE (ECR-05-001155)	5APR05	L.Z I.E
		A1	REVISED PER ECO-09-024927	10NOV09	KK AEG



- 1 THESE PRODUCTS CONFORM AMP SPEC 108-5400.
- △ MATERIAL
HOUSING: THERMOPLASTEC
SHELL: CARBON STEEL
CONTACT: COPPER ALLOY
RETENTION LEG: COPPER ALLOY
- △ FINISH
CONTACT: GOLD PL.
SHELL: TIN PL.
RETENTION LEG: TIN PL.
- 4 SCREWLOCK OR SCREW MUST BE ASSEMBLED BEFORE PLUG CONNECTOR MATING.
(SCREW ON TORQUE: 5kg-cmMAX)
- △ P. C. BOARD MOUNTING DIMENSION CONFORM MIL SPEC. (MS-18275)
- △ OBSOLETE PARTS: OBSOLETE CIS STREAMLINING PER D.RENAUD/D.SINISI



Au: 0.00076 MIN.	6	9
Au: FLASH	5179953-3	
FINISH	P/N	

THIS DRAWING IS A CONTROLLED DOCUMENT.		DWN LEO ZHOU 5APR05	Tyco Electronics Tyco Electronics AMP K.K. Kawasaki, Japan	
DIMENSIONS: mm		CHK STEVEN YAO 5APR05	NAME	
TOLERANCES UNLESS OTHERWISE SPECIFIED:		APVD I.ENOMOTO 5APR05	RECEPTACLE ASSY RIGHT ANGLE SIZE 3, 25P LOW PROFILE STD-D P.C.B t=0.8~1.6 DIP L=2.80 AMPLIMITE III-J ULTRA SLIM HD-20	
0 PLC ± 1 PLC ± 2 PLC ± 3 PLC ± 4 PLC ± ANGLES ± FINISH		PRODUCT SPEC	SIZE A3	RESTRICTED TO
MATERIAL SEE NOTE 2		APPLICATION SPEC	CAGE CODE 00779	DRAWING NO C-5179953
GENERAL TOLERANCE 10 ≥ : ±0.2 30 ≥ > 10: ±0.25 100 ≥ > 30: ±0.3 ANGLES : ±3°		WEIGHT	SCALE 2:1	SHEET 1 OF 1 REV A1
CUSTOMER DRAWING				

单击下面可查看定价，库存，交付和生命周期等信息

[>>TE Connectivity\(泰科\)](#)