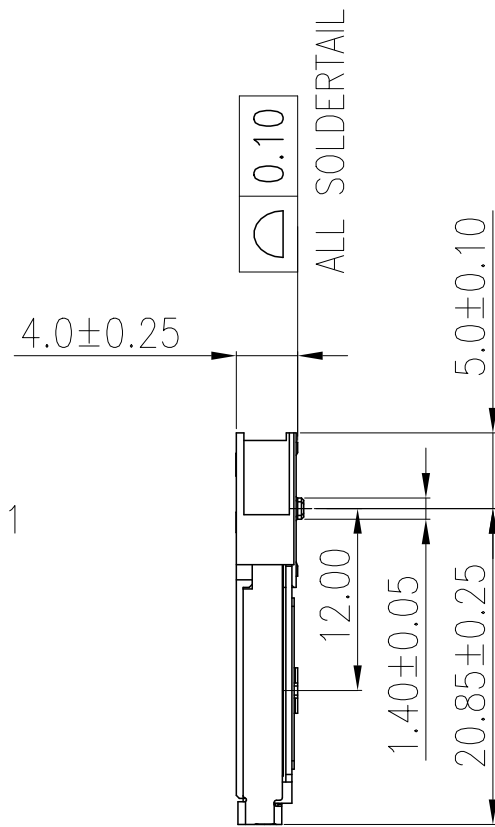
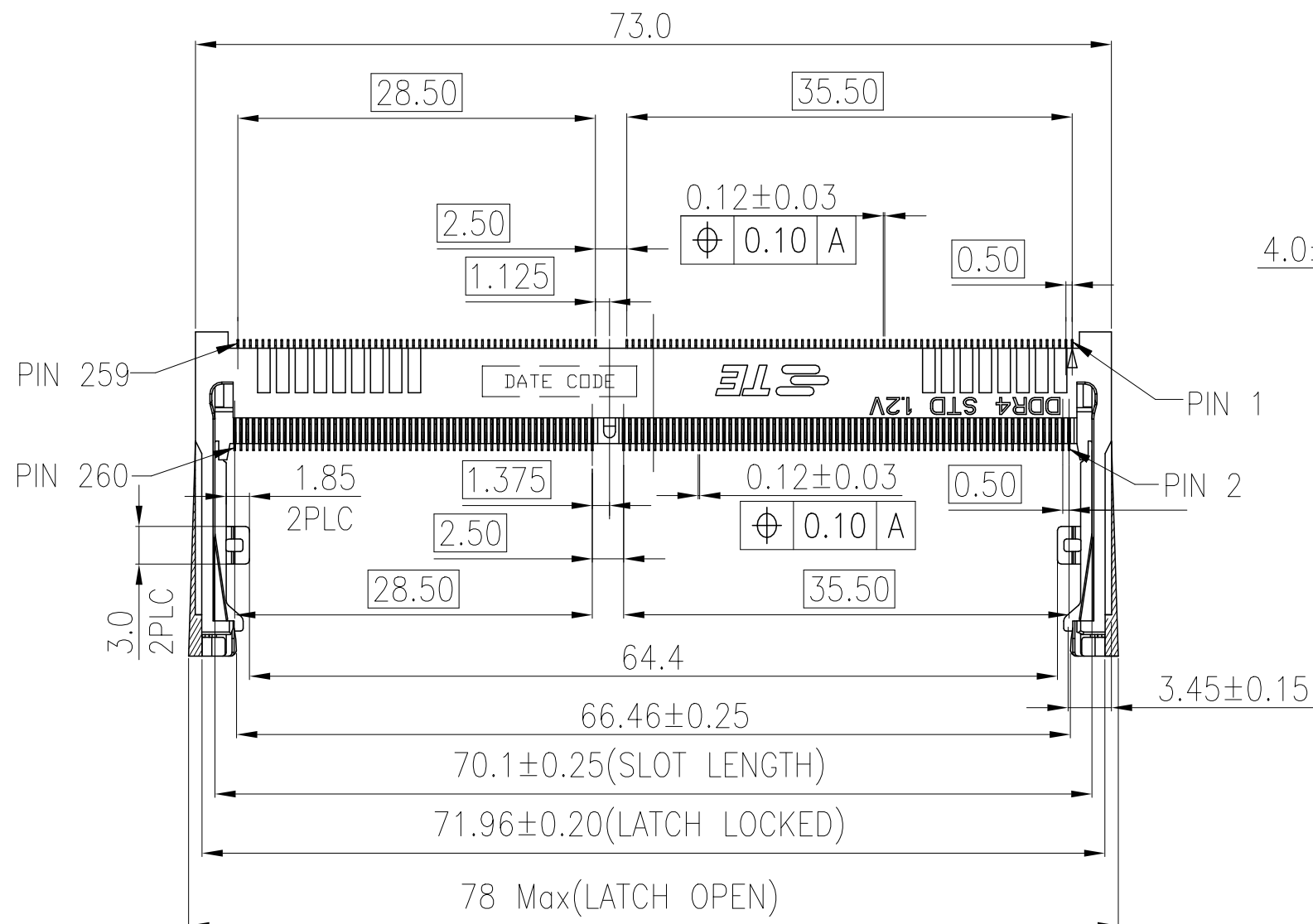
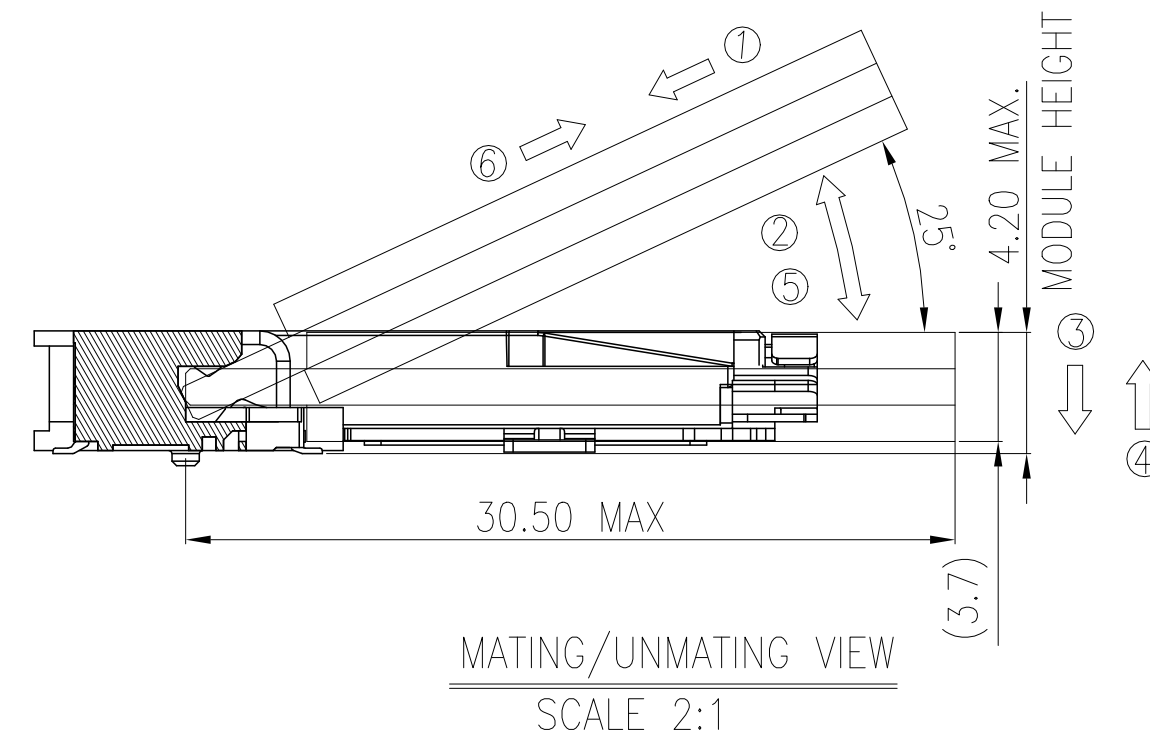
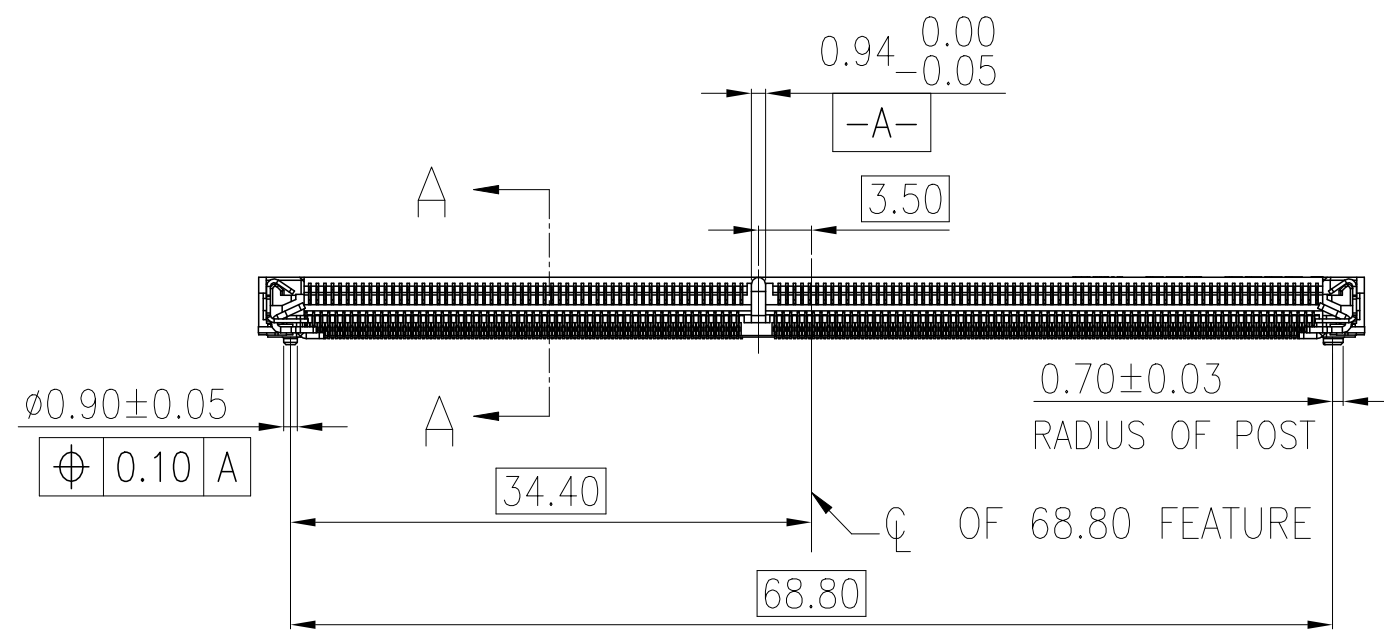


REVISIONS					
P	LTR	DESCRIPTION	DATE	DWN	APVD
4		GAP DIM CHANGE TO 0.74+/-0.08 FROM 0.80	16NOV2020	SS	DZ

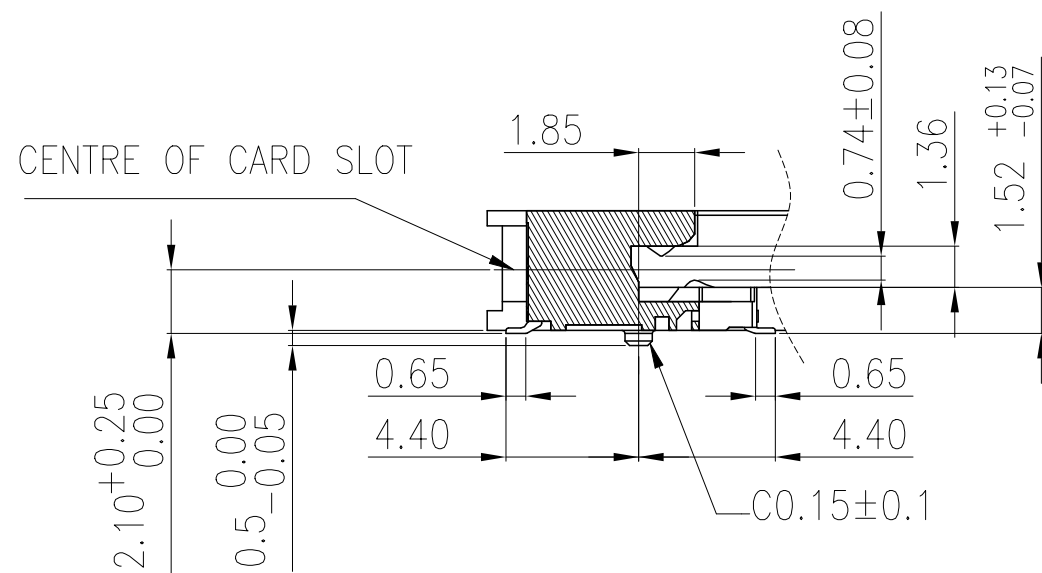


NOTES:

- MATERIAL:
  - HOUSING: HIGH TEMPERATURE THERMO PLASTIC,UL94V-0,COLOR:BLACK.
  - CONTACT: COPPER ALLOY.
  - SOLDER PEG AND LATCH:STAINLESS STEEL.
- FINISH:
  - SOLDER PEG: GOLD FLASH ON 50u" MIN NICKEL UNDERPLATED ALL OVER.
  - CONTACT SOLDER AREA: GOLD FLASH ON SOLDER TAIL.
  - CONTACT AREA: GOLD FLASH ON 50u" MIN NICKEL UNDERPLATED ALL OVER.
  - CONTACT AREA: 5u" ON 50u" MIN NICKEL UNDERPLATED ALL OVER.
  - CONTACT AREA: 10u" ON 50u" MIN NICKEL UNDERPLATED ALL OVER.
  - CONTACT AREA: 15u" ON 50u" MIN NICKEL UNDERPLATED ALL OVER.
  - CONTACT AREA: 30u" ON 50u" MIN NICKEL UNDERPLATED ALL OVER.
- COPLANARITY: 0.10 MAX. (BEFORE SOLDERING)



MATING: ① INSERTING(25°) → ② ROTATING → ③ FIXED  
 UNMATING: ④ UNFIXED → ⑤ ROTATING → ⑥ WITHDRAWING



SECTION:A-A  
SCALE 2:1

TAPE&REEL	BLACK	1.2V	30u"	260	2309407-5
TAPE&REEL	BLACK	1.2V	15u"	260	2309407-4
TAPE&REEL	BLACK	1.2V	10u"	260	2309407-3
TAPE&REEL	BLACK	1.2V	5u"	260	2309407-2
TAPE&REEL	BLACK	1.2V	GF	260	2309407-1
PACKING TYPE	HOUSING COLOR	POWER SUPPLY	FINISH	POS	PART NO.

THIS DRAWING IS A CONTROLLED DOCUMENT.		DWN DAVID ZHAO 09SEP2016			
DIMENSIONS: mm		CHK RICHARD MA 09SEP2016			
TOLERANCES UNLESS OTHERWISE SPECIFIED:		APVD SIMON LI 05SEP2016	NAME		
0 PLC ± -		PRODUCT SPEC		DDR4 SODIMM SOCKET	
1 PLC ± 0.25		APPLICATION SPEC		0.5mm PITCH 260POS	
2 PLC ± 0.15		108-115122		4.0mm HEIGHT STANDARD TYPE	
3 PLC ± 0.10		-		SIZE	RESTRICTED TO
4 PLC ± -		-		CAGE CODE	DRAWING NO
ANGLES ± -		WEIGHT 3.1g		A2 00779	2309407
FINISH		CUSTOMER DRAWING		SCALE 1:1	SHEET 1 of 3
				REV 4	

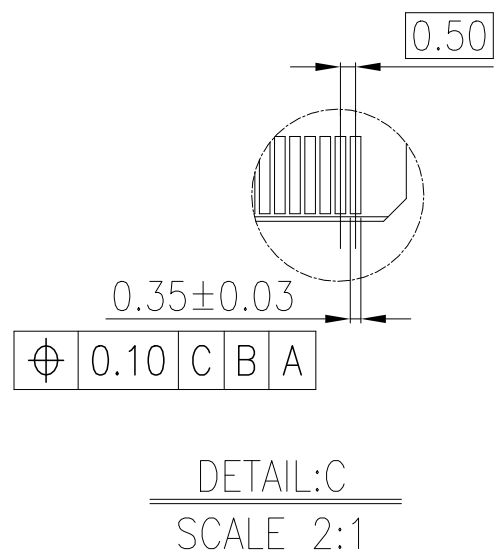
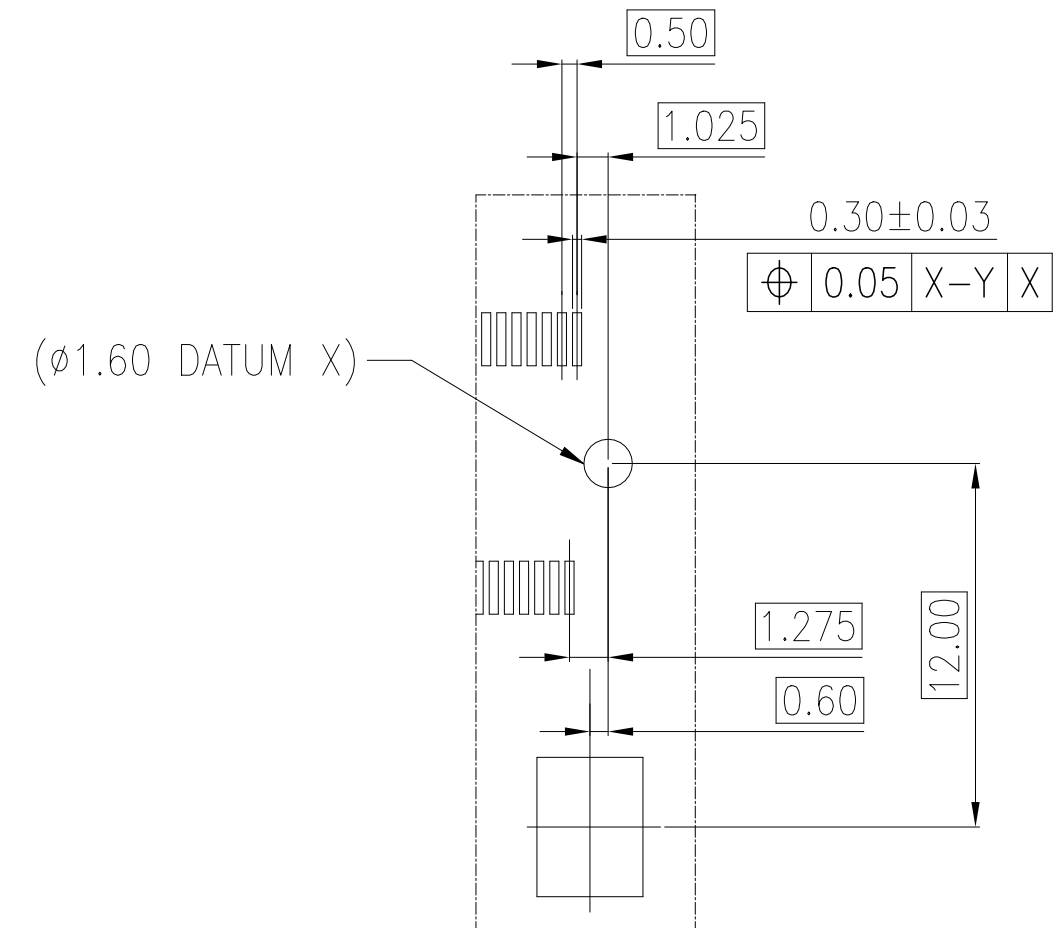
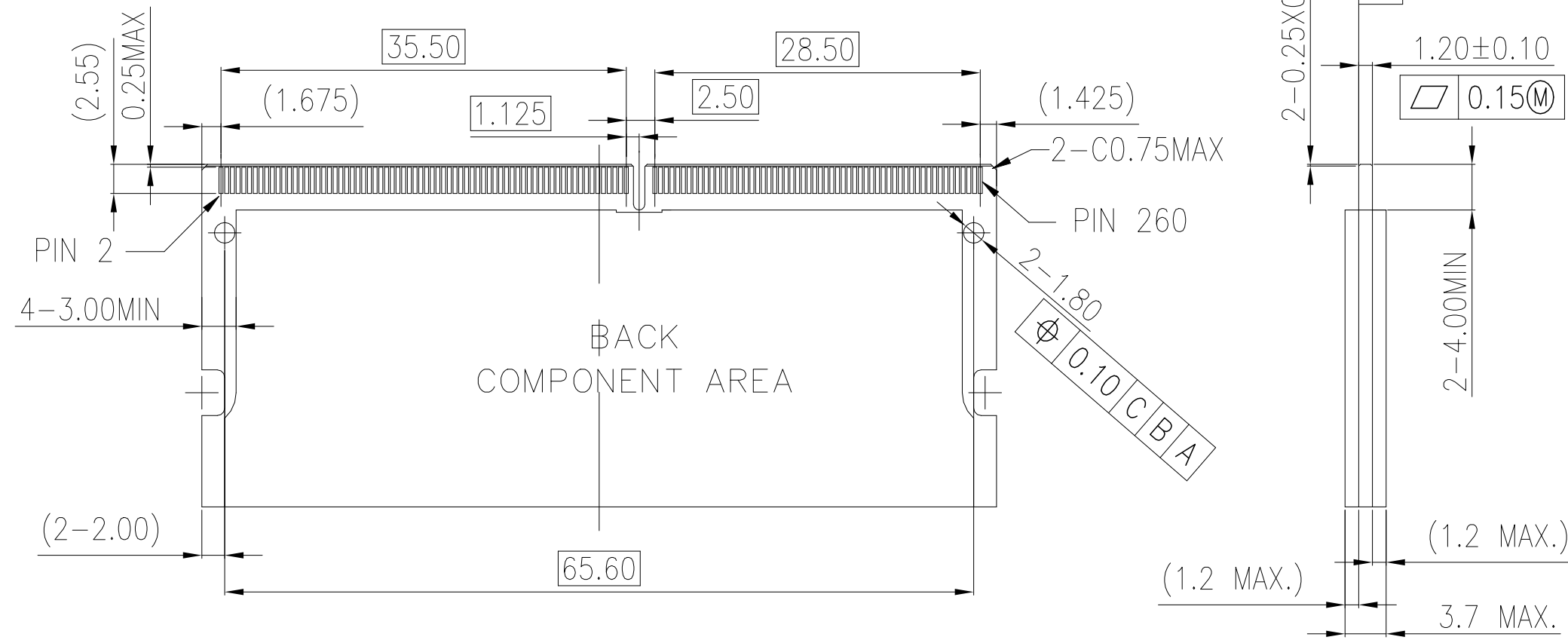
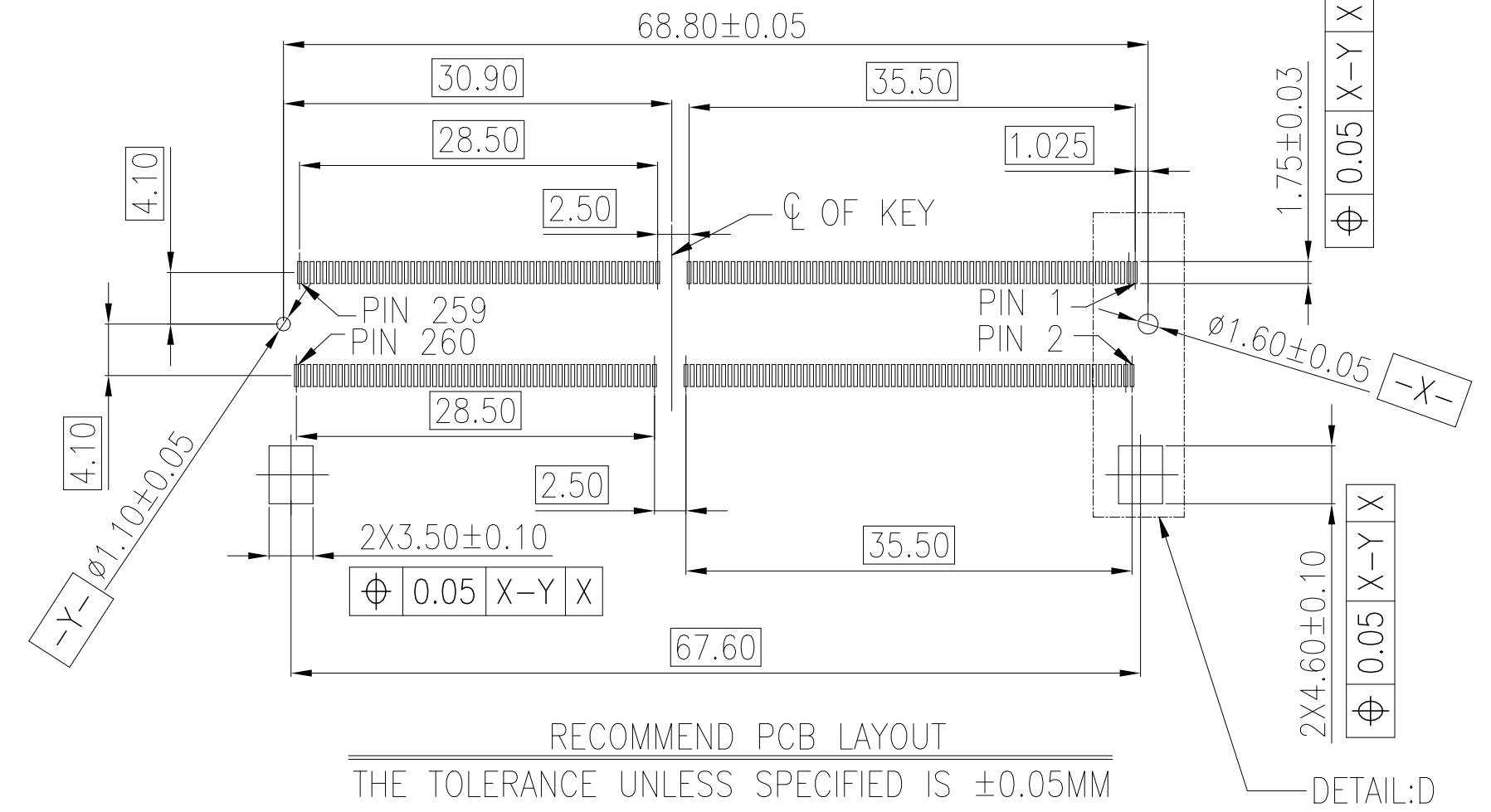
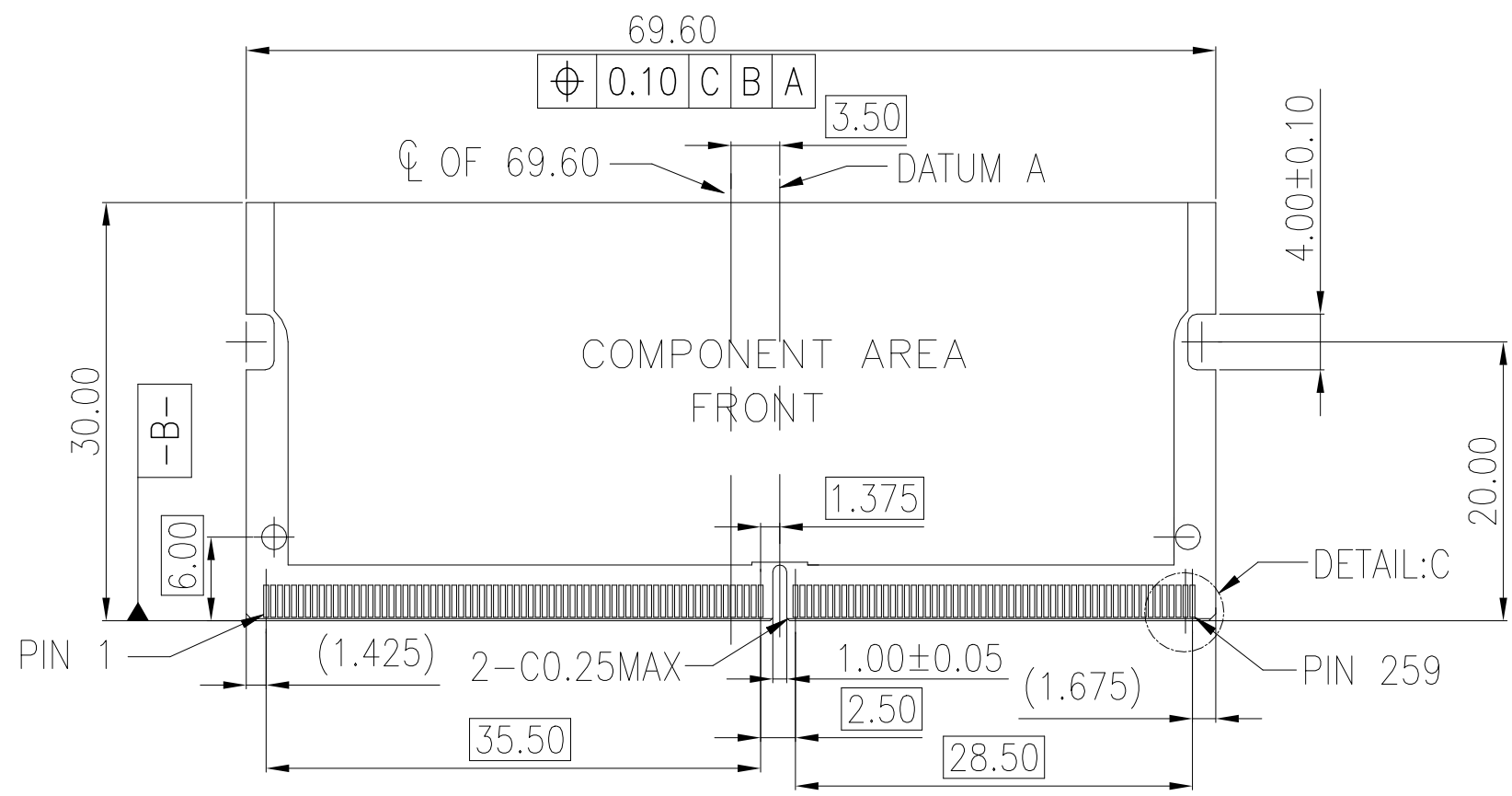
4

3

2

1

REVISIONS					
P	LTR	DESCRIPTION	DATE	OWN	APVD
-	-	-	-	-	-

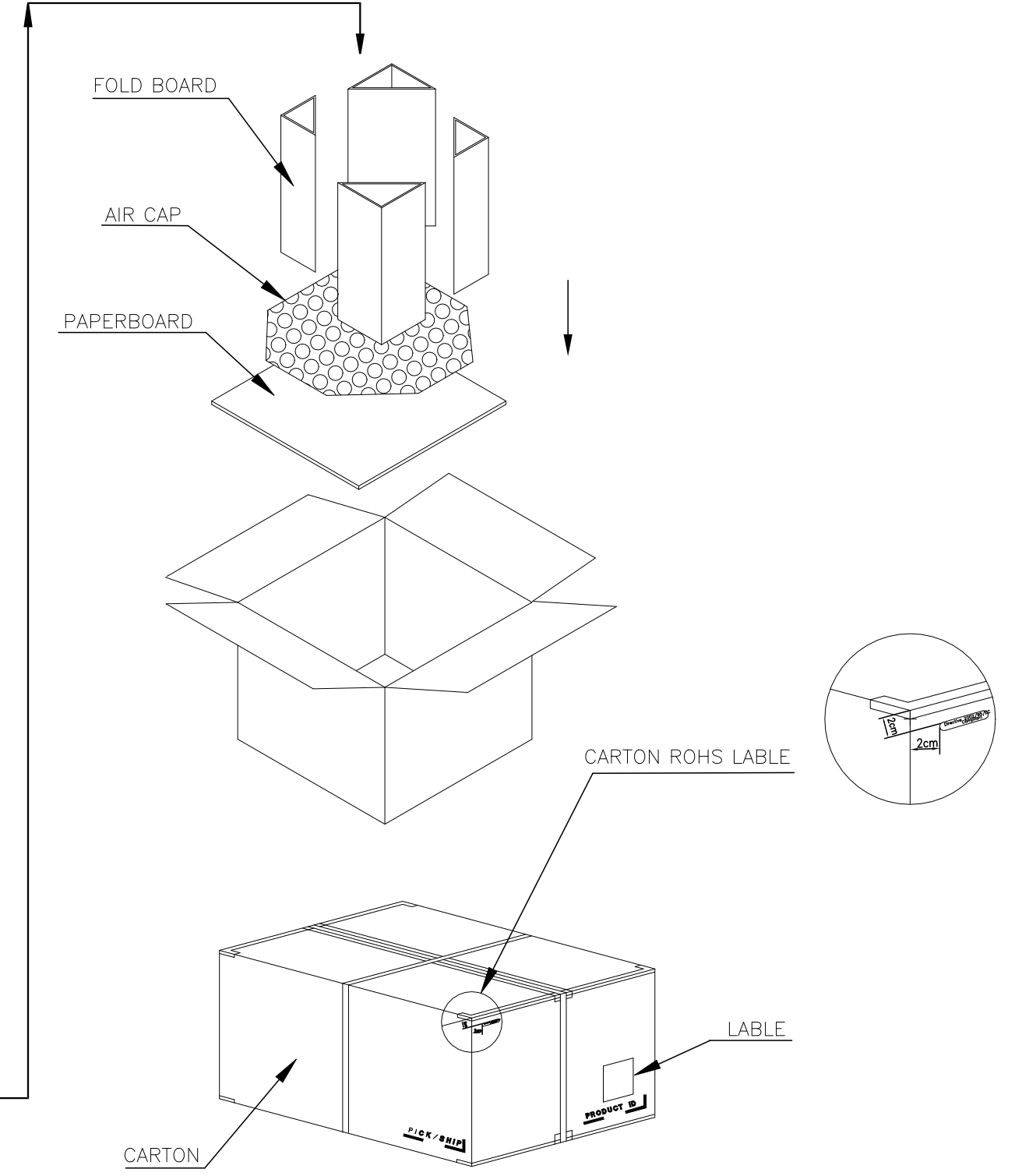
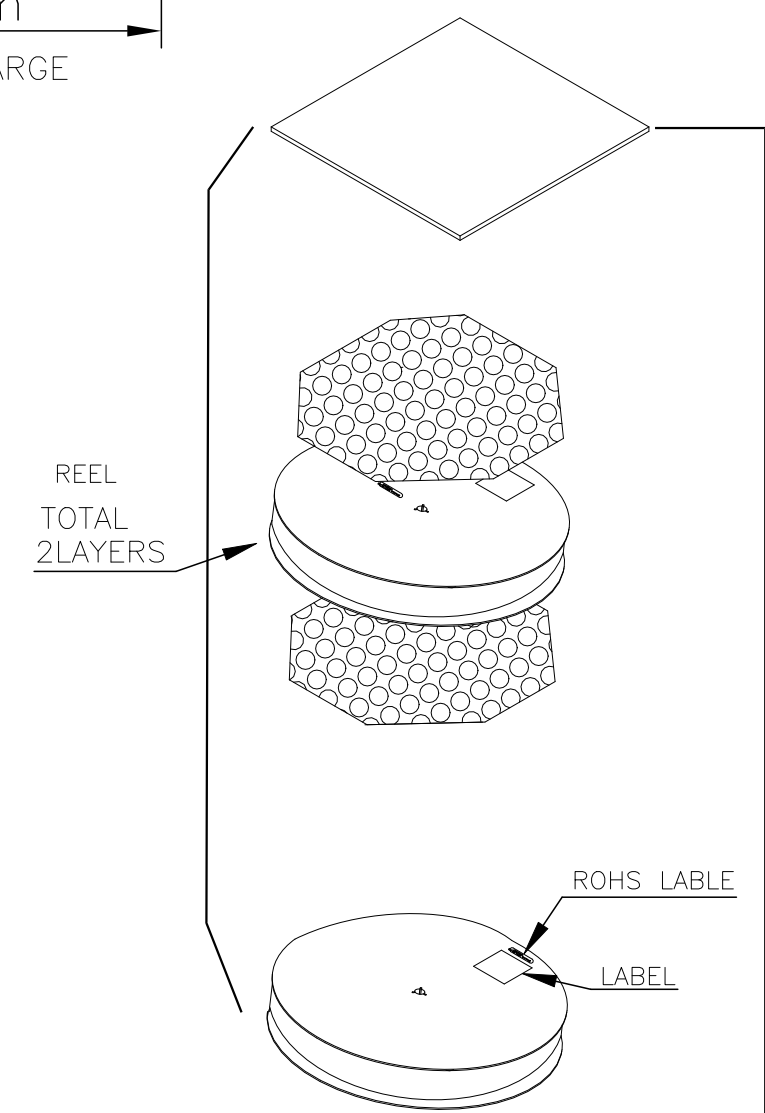
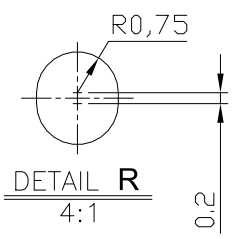
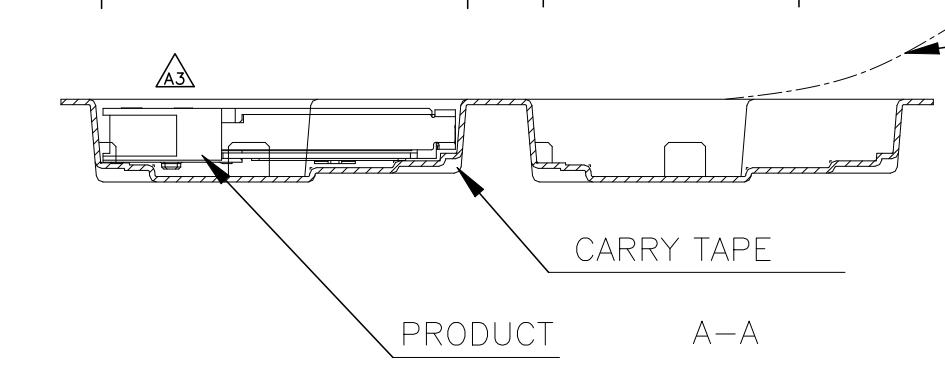
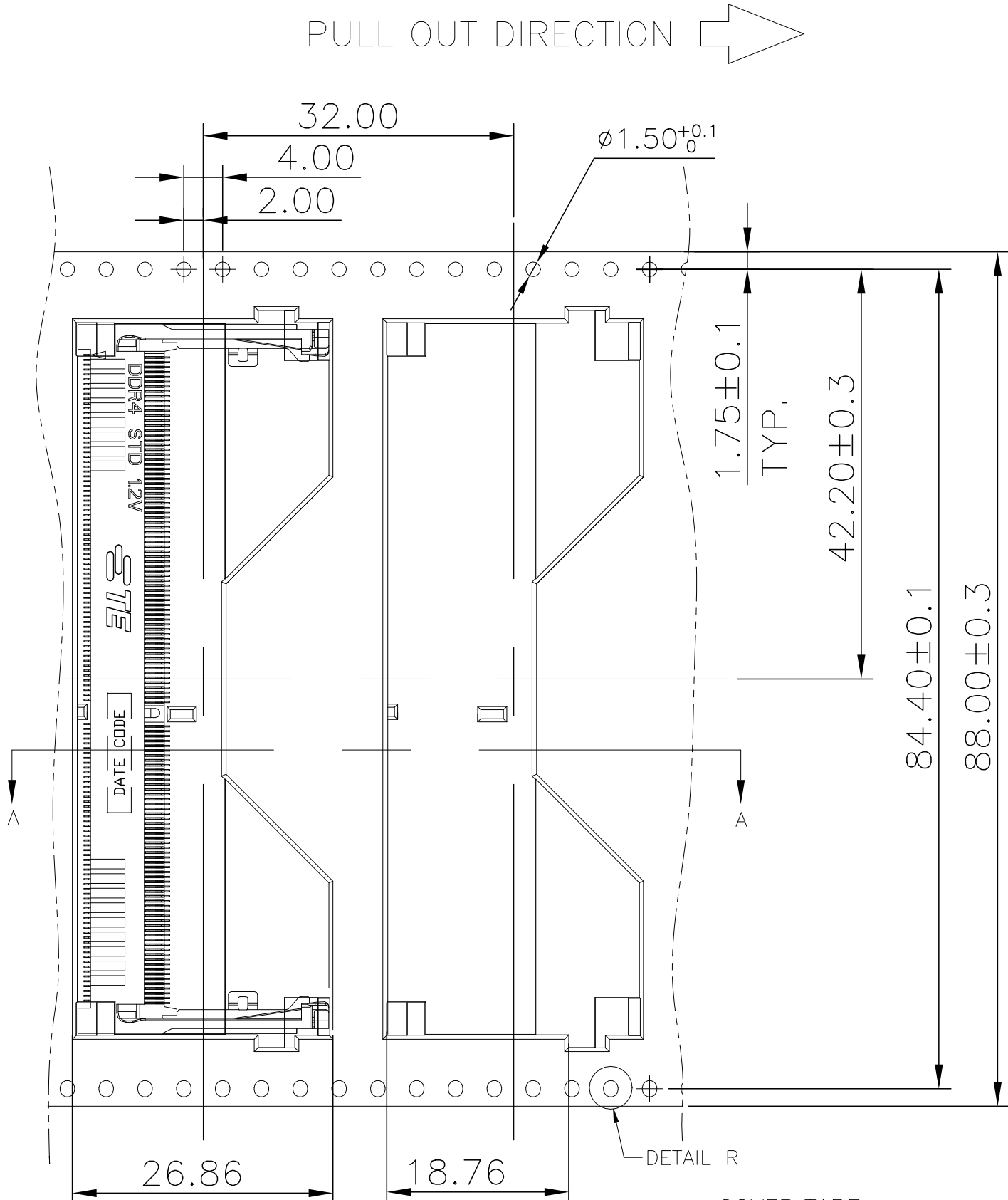
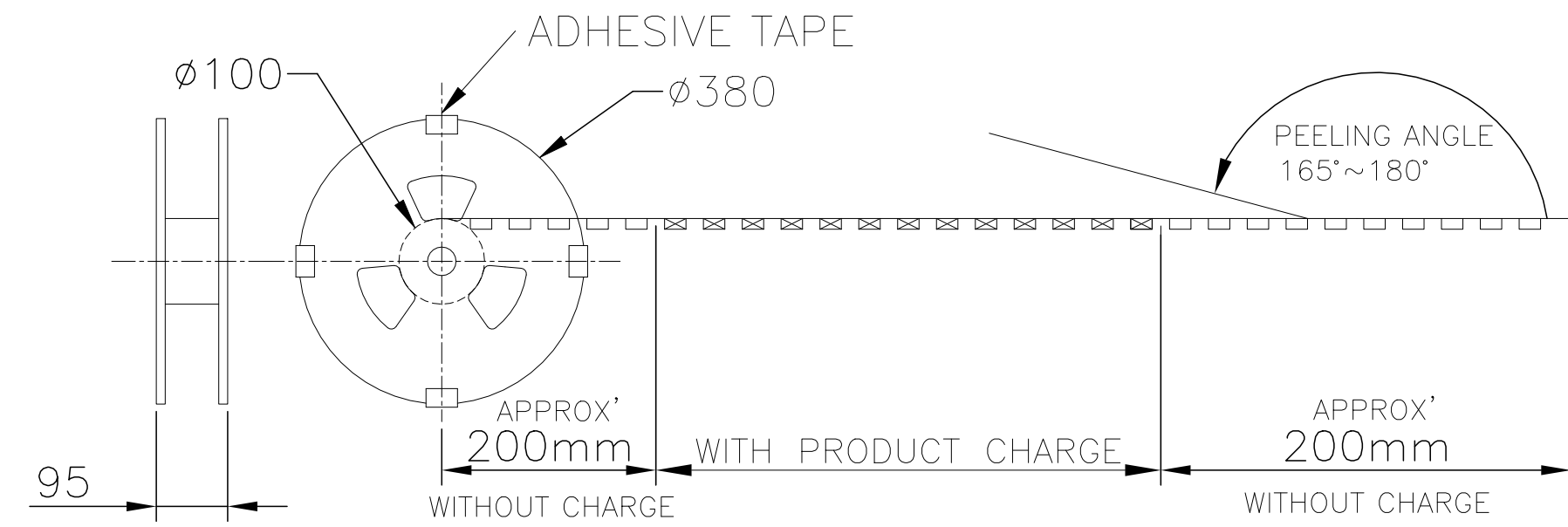


DETAIL:D  
 SCALE 2:1

THIS DRAWING IS A CONTROLLED DOCUMENT.		OWN DAVID ZHAO 09SEP2016	TE Connectivity
DIMENSIONS: mm		CHK RICHARD MA 09SEP2016	
TOLERANCES UNLESS OTHERWISE SPECIFIED:		APVD SIMON LI 09SEP2016	NAME
0 PLC ±	1 PLC ±	PRODUCT SPEC	DDR4 SODIMM SOCKET
2 PLC ±	3 PLC ±	APPLICATION SPEC	0.5mm PITCH 260POS
4 PLC ±	ANGLES ±	WEIGHT	4.0mm HEIGHT STANDARD TYPE
MATERIAL	FINISH	CUSTOMER DRAWING	SIZE A2
			CAGE CODE 00779
			DRAWING NO C=2309407
			RESTRICTED TO
			SCALE 1:1
			SHEET 2 OF 3
			REV 4

THIS DRAWING IS UNPUBLISHED. RELEASED FOR PUBLICATION  
 © COPYRIGHT 2016 By TE connectivity ALL RIGHTS RESERVED.

REVISIONS					
P	LTR	DESCRIPTION	DATE	DWN	APVD
-	-		-	-	-



450	2	900	*-2309407-*
PCS/REEL	REEL/CARTON	PCS/CARTON	PART NUMBER

THIS DRAWING IS A CONTROLLED DOCUMENT.		DWN DAVID ZHAO 09SEP2016	
DIMENSIONS: mm		CHK RICHARD MA 09SEP2016	
TOLERANCES UNLESS OTHERWISE SPECIFIED:		APVD SIMON LI 05SEP2016	NAME
0 PLC ±	1 PLC ±	PRODUCT SPEC	DDR4 SODIMM SOCKET
2 PLC ±	3 PLC ±	APPLICATION SPEC	0.5mm PITCH 260POS
4 PLC ±	ANGLES ±	WEIGHT	4.0mm HEIGHT STANDARD TYPE
MATERIAL	FINISH	CUSTOMER DRAWING	SIZE CAGE CODE DRAWING NO RESTRICTED TO
			A2 00779 C=2309407
		SCALE - SHEET 3 of 3 REV 4	

单击下面可查看定价，库存，交付和生命周期等信息

[>>TE Connectivity\(泰科\)](#)