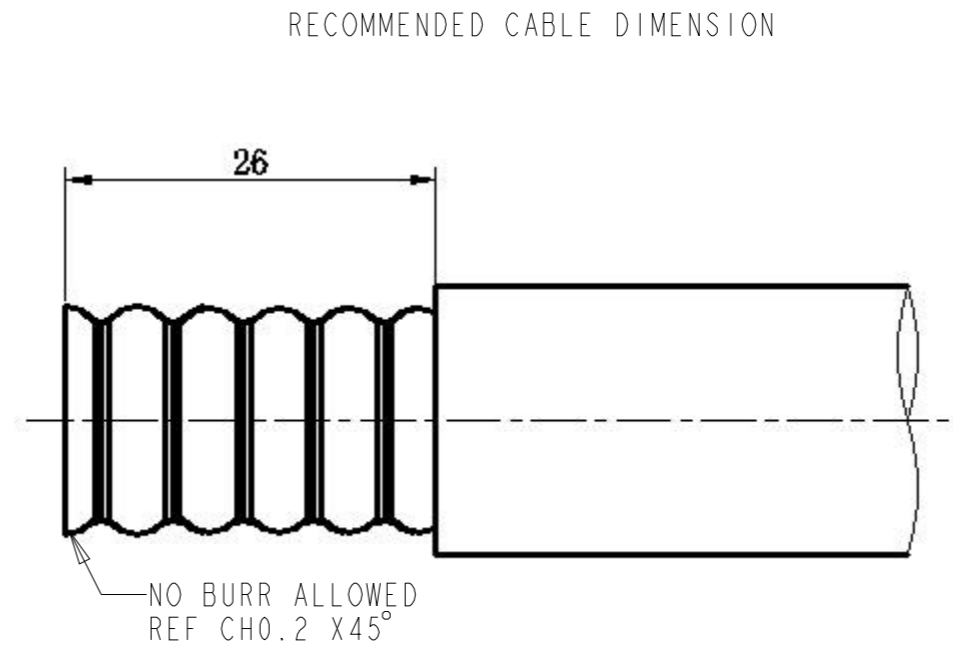
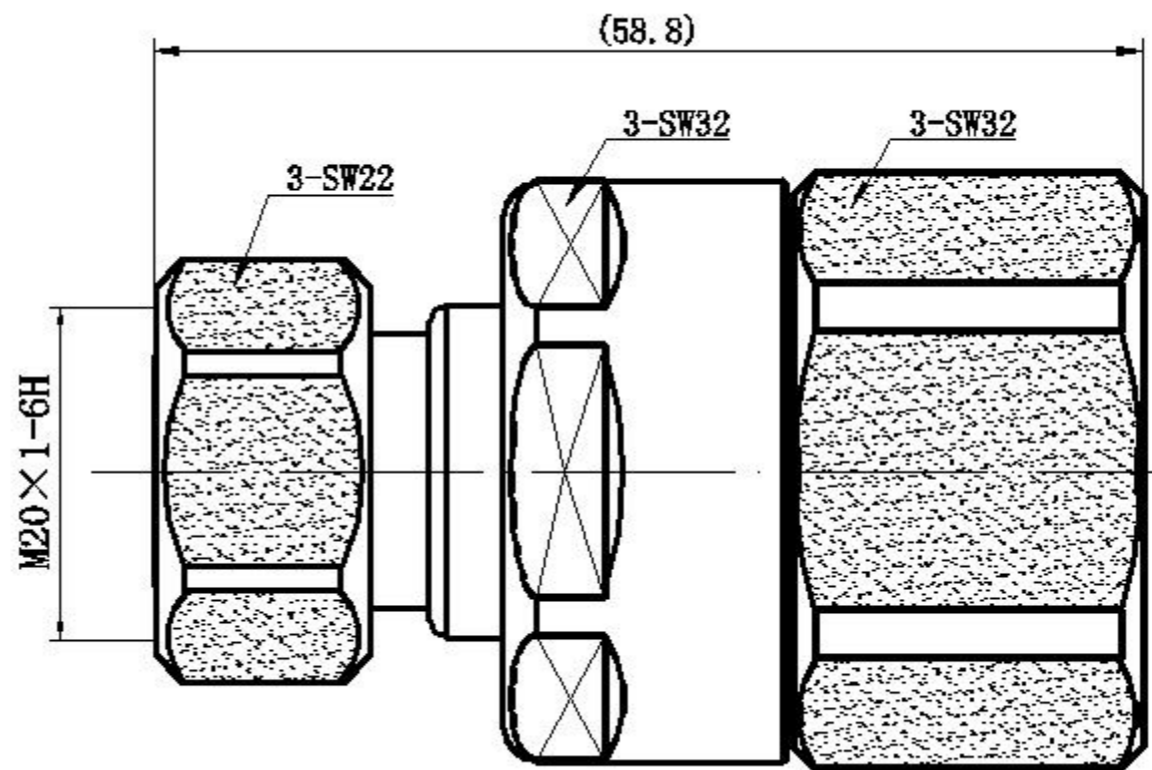


ELECTRICAL	
IMPEDANCE	50 Ohm
FREQUENCY RANGE	DC to 6GHz
INSERTION LOSS:	Max. 0.05*SQRT(F) dB
VSWR:	Max. 1.15@0-3GHz
DIELECTRIC WITHSTAND VOLTAGE:	
	Max. 2500 V RMS
INSULATION RESISTANCE	Min. 5000 Mohms
PIM3:	Max. -160dBc @2x20W, 900MHz, 1800MHz, 2100MHz tested with cable

MECHANICAL	
MATING CYCLES:	MIN. 100 CYCLES
RECOMMENDED TORQUE:	5Nm
CABLE PULLING:	1000N MIN.
CABLE TORSION:	5Nm MIN.

ENVIRONMENTAL	
TEMPERATURE RANGE:	-40°~+85°C
SALT SPRAY:	96H
INTERFACE SEAL:	IP68(1m, 24h) MATED
CLAMP SEAL:	IP67(1m, 0.5h)

P	LTR	DESCRIPTION	DATE	DWN	APVD



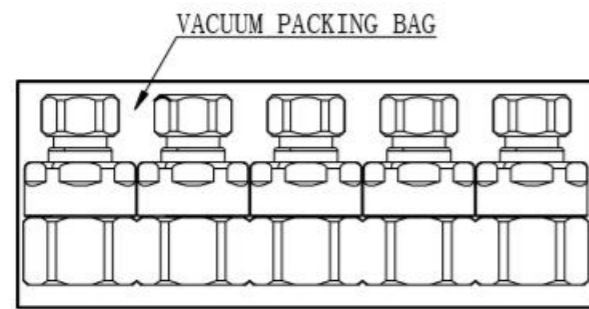
NOTE:
1. INTERFACE ACCORDING TO IEC 61169-54

P/N	PART NAME	MATERIAL	PLATING
2081972-1	CENTER CONTACT	BRONZE	SILVER
	OUTER CONTACT	BRASS	WHITE BRONZE
	INSULATOR	PTFE	
	O-RING	SILICONE RUBBER	
	OTHERS	BRASS	NICKEL

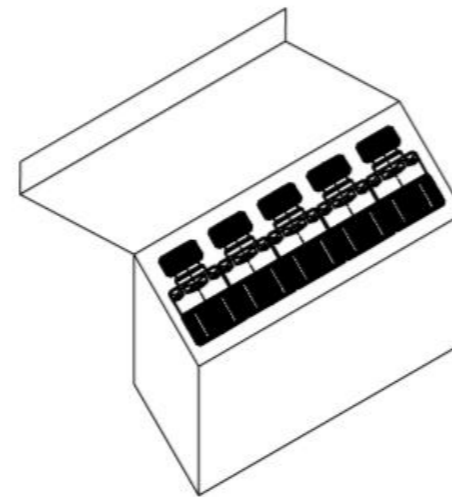
THIS DRAWING IS A CONTROLLED DOCUMENT.		DWN	JZ	10MAR2020	TE TE Connectivity											
DIMENSIONS: mm		CHK	RS	10MAR2020												
TOLERANCES UNLESS OTHERWISE SPECIFIED:		APVD	RS	10MAR2020												
<table border="0"> <tr><td>0 PLC</td><td>±0.3</td></tr> <tr><td>1 PLC</td><td>±0.2</td></tr> <tr><td>2 PLC</td><td>±0.2</td></tr> <tr><td>3 PLC</td><td>±0.2</td></tr> <tr><td>4 PLC</td><td>±0.2</td></tr> <tr><td>ANGLES</td><td>±</td></tr> </table>		0 PLC	±0.3	1 PLC		±0.2	2 PLC	±0.2	3 PLC	±0.2	4 PLC	±0.2	ANGLES	±	PRODUCT SPEC	108-115175
0 PLC	±0.3															
1 PLC	±0.2															
2 PLC	±0.2															
3 PLC	±0.2															
4 PLC	±0.2															
ANGLES	±															
MATERIAL SEE TABLE		FINISH	SEE TABLE		NAME	4.3-10 STRAIGHT PLUG, SCREW FOR 7/8 CABLE CLAMP TYPE										
-		WEIGHT	126g		SIZE	A3	CAGE CODE	00779	DRAWING NO	C-2081972	RESTRICTED TO	-				
-		CUSTOMER DRAWING			SCALE	1:1		SHEET	1 OF 2		REV	A				

REVISIONS

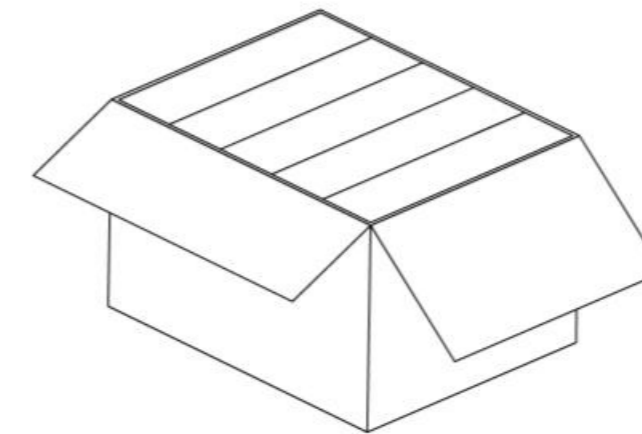
P	LTR	DESCRIPTION	DATE	DWN	APVD



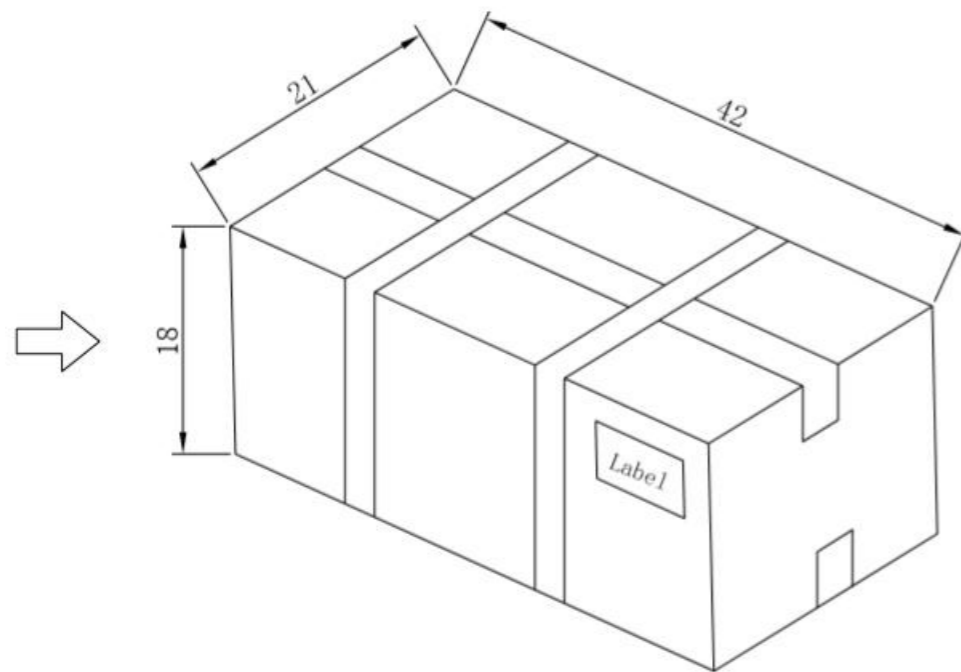
VACUUM PACKING (5PCS/BAG)



INNER BOX (10PCS/BOX)



OUTER BOX (100PCS/BOX)



PACKAGE

(BOX SIZE ONLY FOR REFERENCE, UNIT: CM)

THIS DRAWING IS A CONTROLLED DOCUMENT.		DWN JZ	10MAR2020		
DIMENSIONS: mm		CHK RS	10MAR2020		
TOLERANCES UNLESS OTHERWISE SPECIFIED:		APVD RS	10MAR2020	NAME 4.3-10 STRAIGHT PLUG, SCREW FOR 7/8 CABLE CLAMP TYPE	
		PRODUCT SPEC	108-115175	SIZE	
MATERIAL SEE TABLE		FINISH SEE TABLE	APPLICATION SPEC	408-160016	CAGE CODE
-		WEIGHT		126g	DRAWING NO
-		CUSTOMER DRAWING		A3	00779
-		SCALE		1:1	SHEET
-		RESTRICTED TO		-	2 OF 2
-		REV		A	

单击下面可查看定价，库存，交付和生命周期等信息

[>>TE Connectivity\(泰科\)](#)