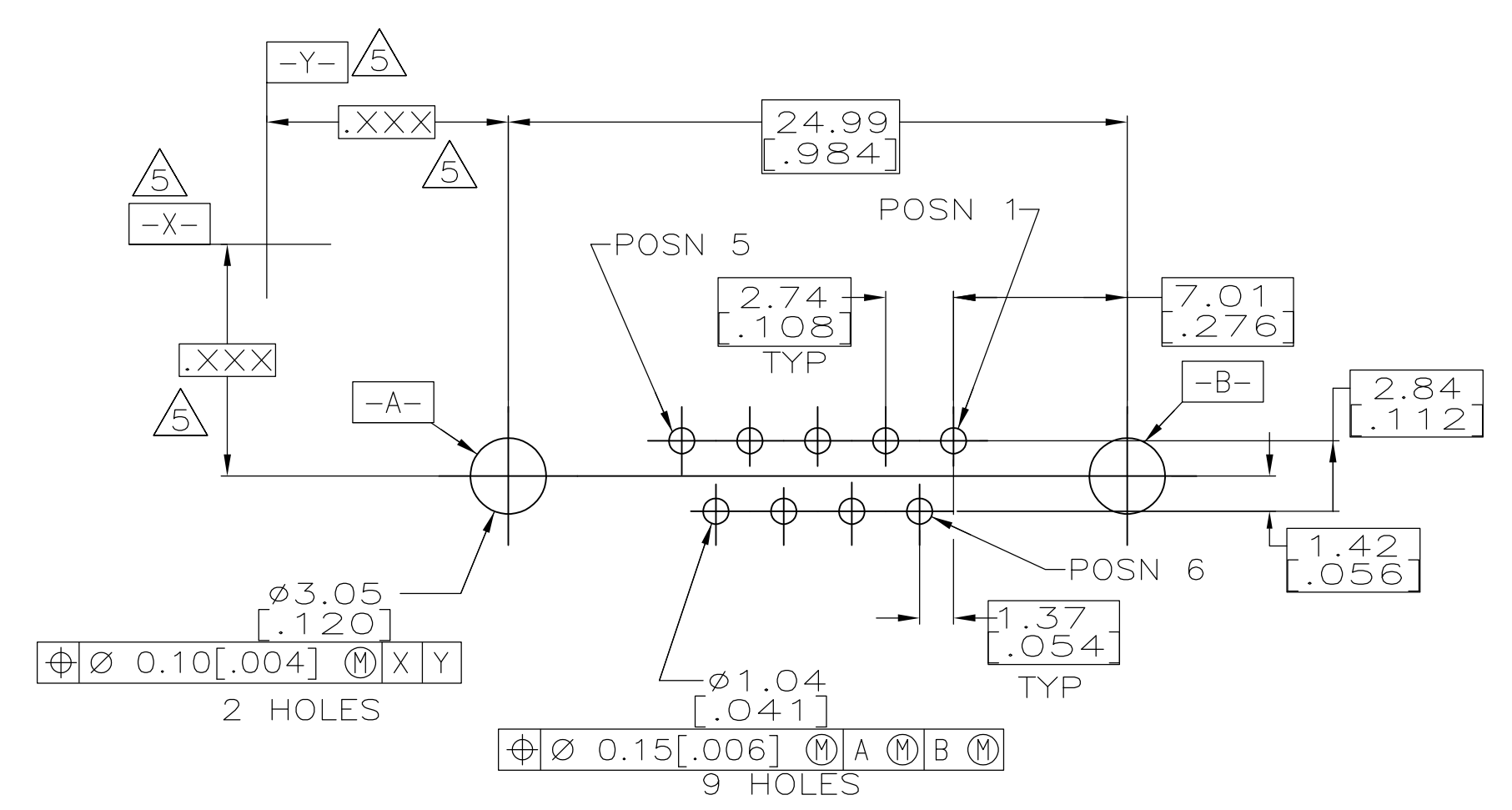
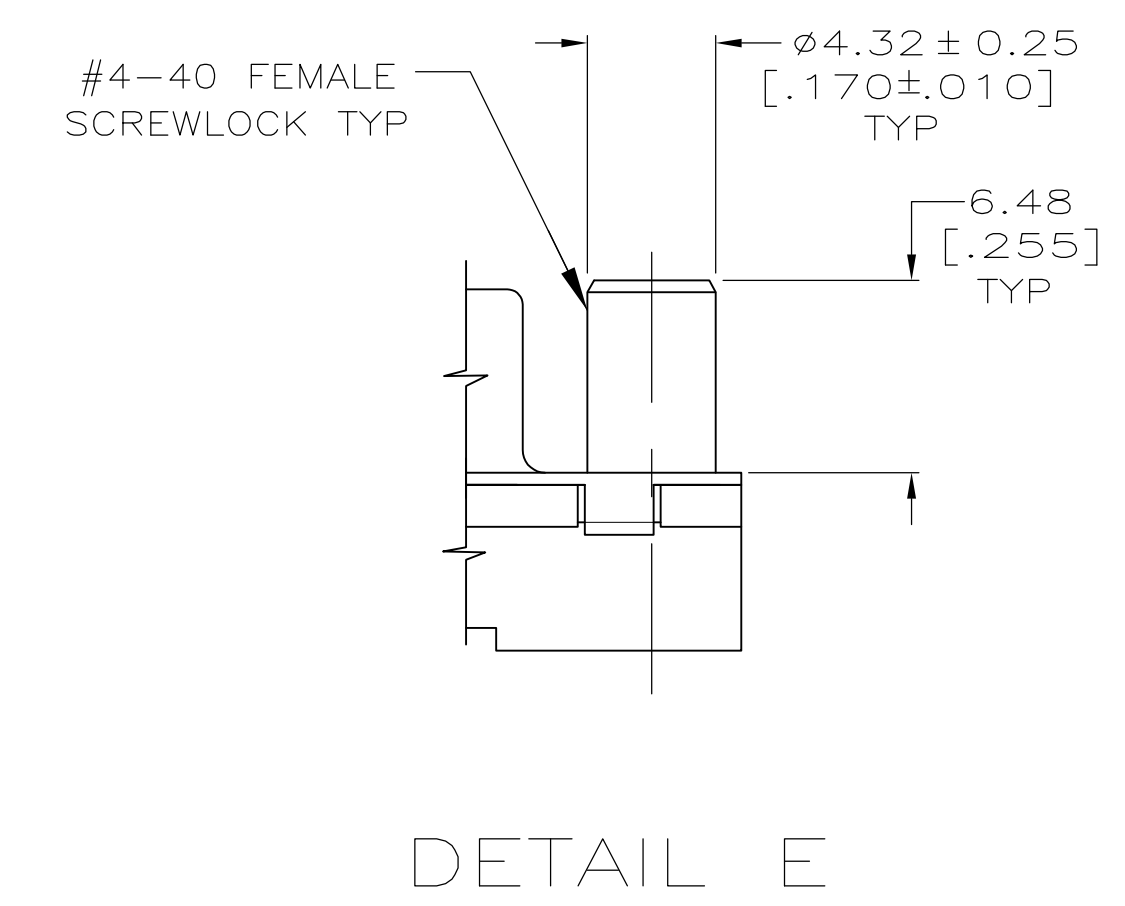
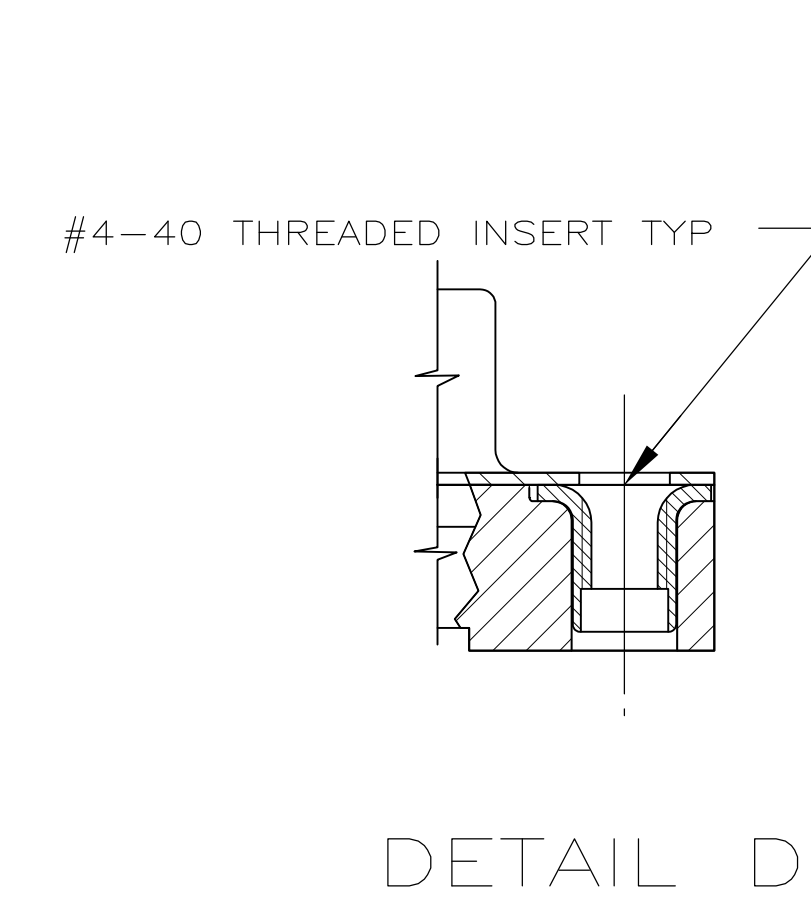
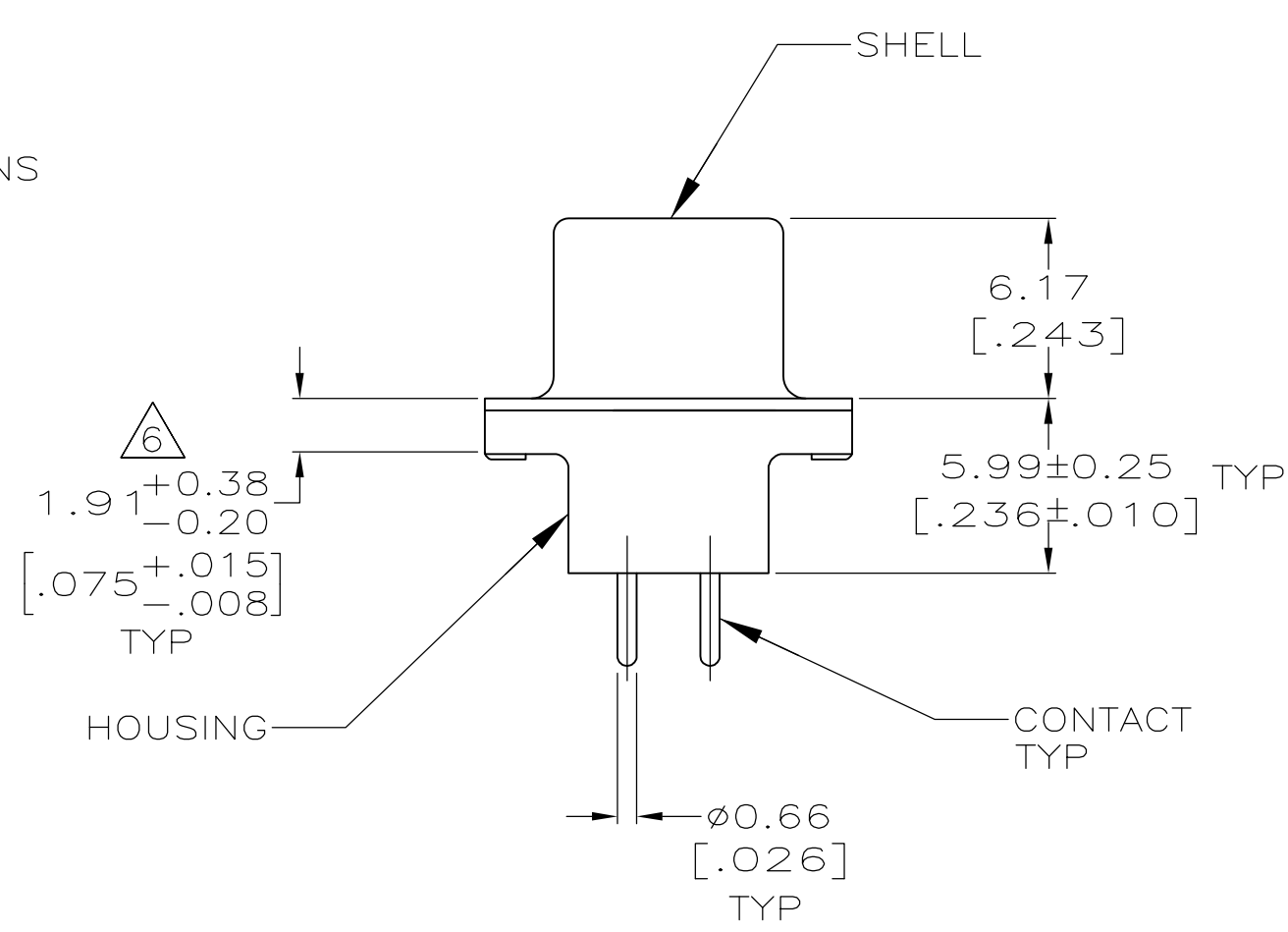
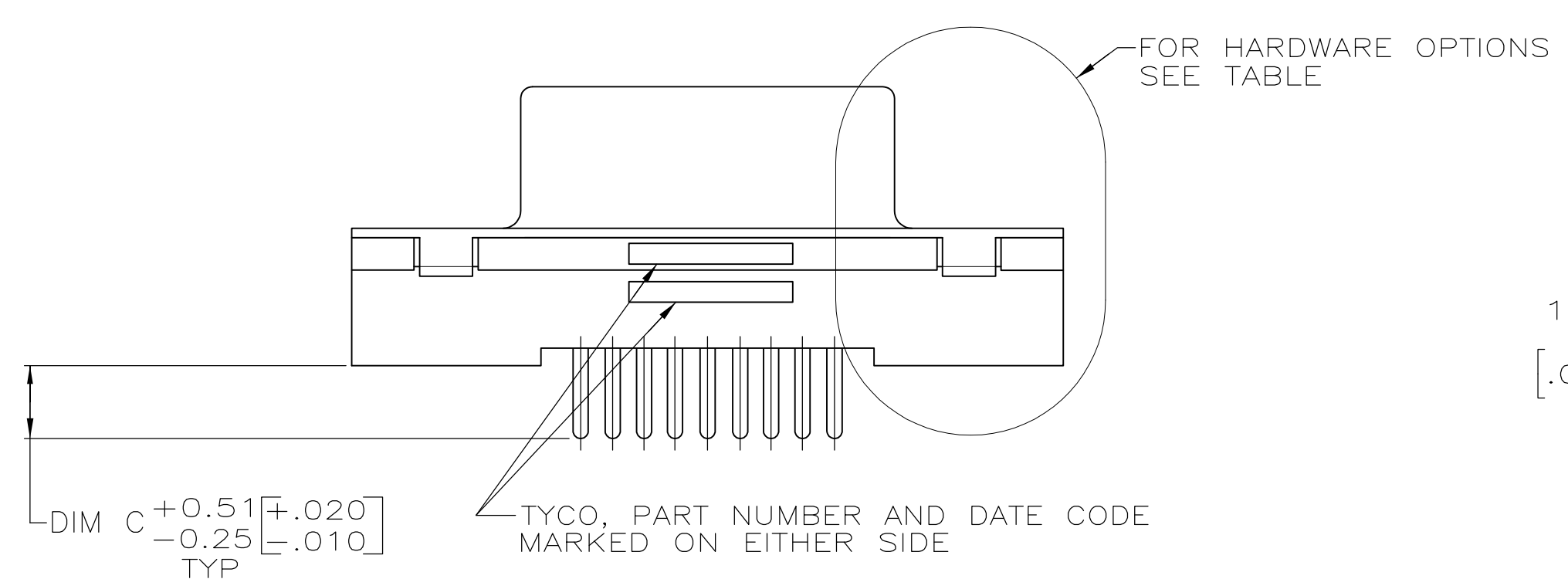
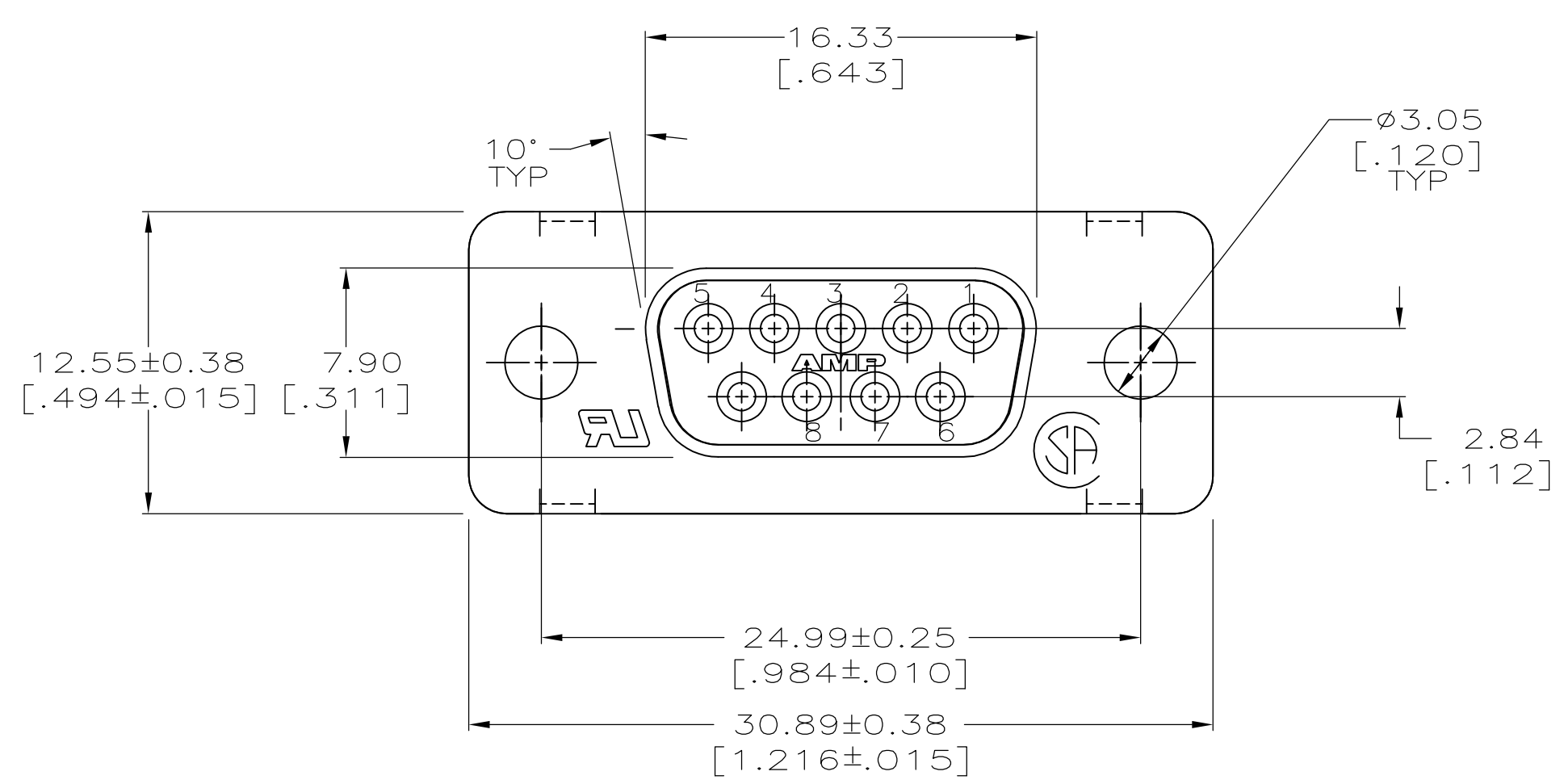


LOC	DIST	REVISIONS			
GP	00	REV	DATE	BY	APP'D
A1		REVISED PER ECO-11-004835	11MAR11	RK	HMR



RECOMMENDED PC BOARD LAYOUT  
CONNECTOR SIDE OF PC BOARD

- ⚠ MATERIAL:  
HOUSING: POLYESTER, UL 94V-0 RATED, BLACK.  
SHELL: CARBON STEEL.  
CONTACTS: PHOS. BRONZE.  
SCREWLOCKS: ZINC  
INSERTS: BRASS
- ⚠ FINISH:  
SHELL: 5.08um [.000200] MIN TIN OVER 2.54um [.000100] MIN COPPER.  
CONTACTS: SEE TABLE.
- ⚠ GOLD FLASH FOR A LENGTH OF 2.54 [.100] MIN FROM MATING END, 2.54um [.000100] MIN TIN ON OPPOSITE END, OVER 1.27um [.000050] MIN NICKEL.
- ⚠ 0.76um [.000030] MIN GOLD FOR A LENGTH OF 2.54 [.100] MIN FROM MATING END, 2.54um [.000100] MIN TIN ON OPPOSITE END, OVER 1.27um [.000050] MIN NICKEL.
- ⚠ DATUMS AND BASIC DIMENSIONS ESTABLISHED BY CUSTOMER.
- ⚠ 2.79 [.110] MAX IN SHELL TAB CLINCH AREAS.

W/FEMALE SCREWLOCKS PER DETAIL E	4	4.32 [.170]	1-5747150-6
	4	3.18 [.125]	1-5747150-4
	3	3.18 [.125]	1-5747150-3
W/THREADED INSERTS PER DETAIL D	4	4.32 [.170]	5747150-9
	4	3.18 [.125]	5747150-8
	3	3.18 [.125]	5747150-7
WO/FEMALE SCREWLOCKS OR THREADED INSERTS AS SHOWN	4	4.32 [.170]	5747150-4
	4	3.18 [.125]	5747150-2
HARDWARE OPTIONS	CONTACTS FINISH	C	PART NO

DIMENSIONS:		TOLERANCES UNLESS OTHERWISE SPECIFIED:		MATERIAL:		FINISH:	
MM	[INCHES]	0 PLC	± -	1	± -	1	± -
		1 PLC	± -	2	± -	2	± -
		2 PLC	± 0.13 [.005]	3	± -	3	± -
		3 PLC	± -	4	± -	4	± -
		4 PLC	± -	ANGLES	± -		

THIS DRAWING IS A CONTROLLED DOCUMENT.		DWG: B. MCMASTER 18MAY05		CHK: S. BOLASH 18MAY05		APPROV: M. WALMSLEY 18MAY05		NAME: M. WALMSLEY	
RECEIPTACLE ASSEMBLY, SIZE 1, 9 POSITION FRONT METAL SHELL, WITH OR WITHOUT SCREWLOCKS OR INSERTS.		SIZE: 114-40023		CAGE CODE: 114-40023		DRAWING NO: 00779		RESTRICTED TO: A1	
CUSTOMER DRAWING		SCALE: 4:1		SHEET: 1 OF 1		REV: A1			

单击下面可查看定价，库存，交付和生命周期等信息

[>>TE Connectivity\(泰科\)](#)

[>>点击查看相关商品](#)