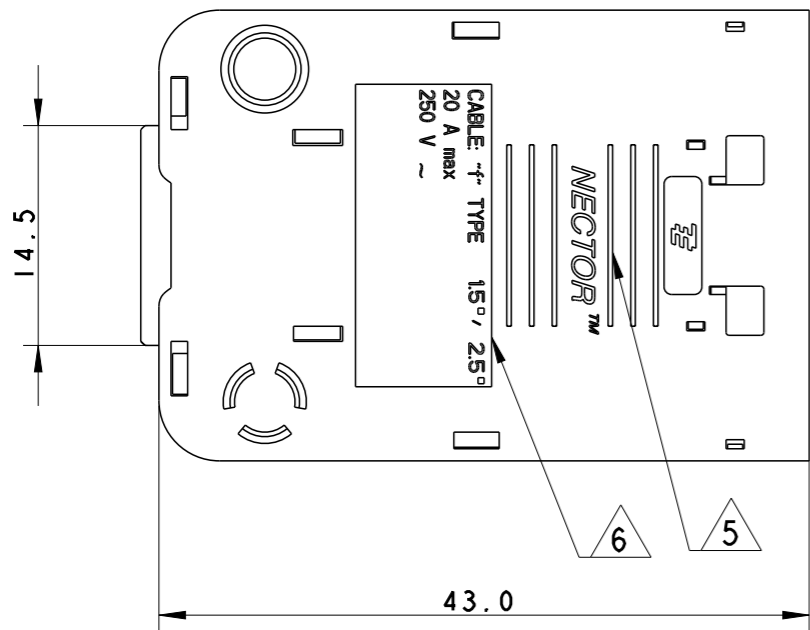
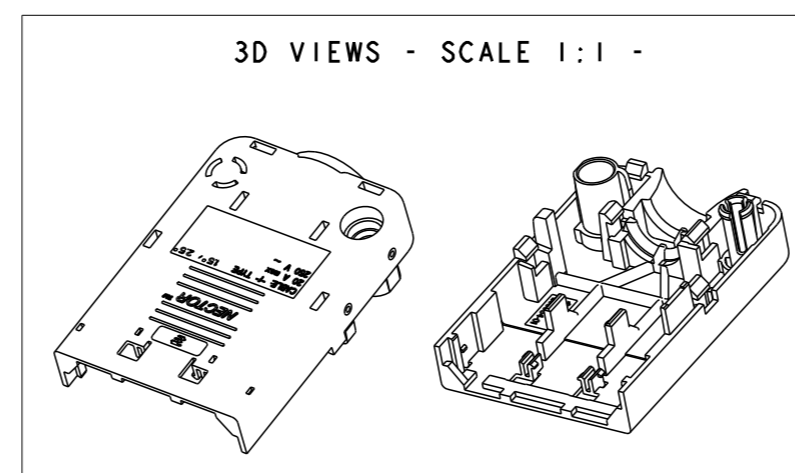
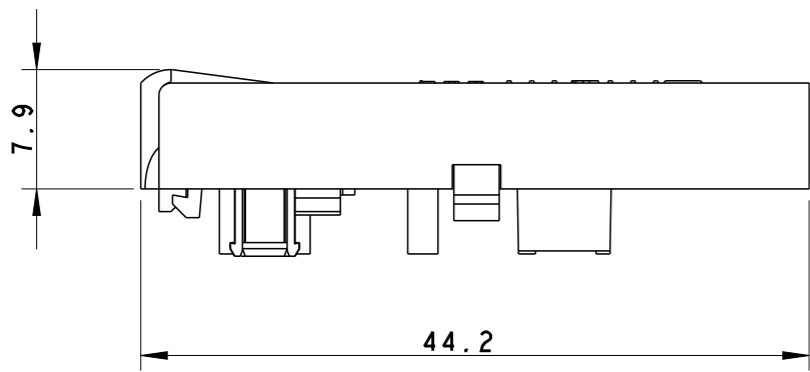
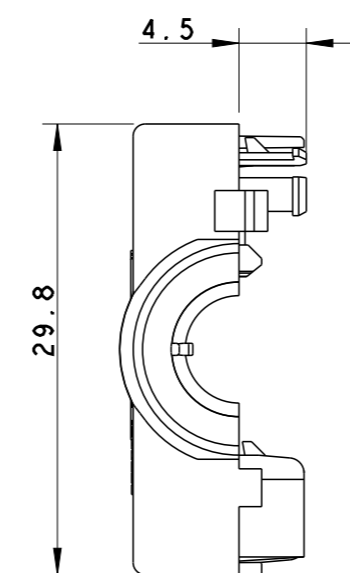
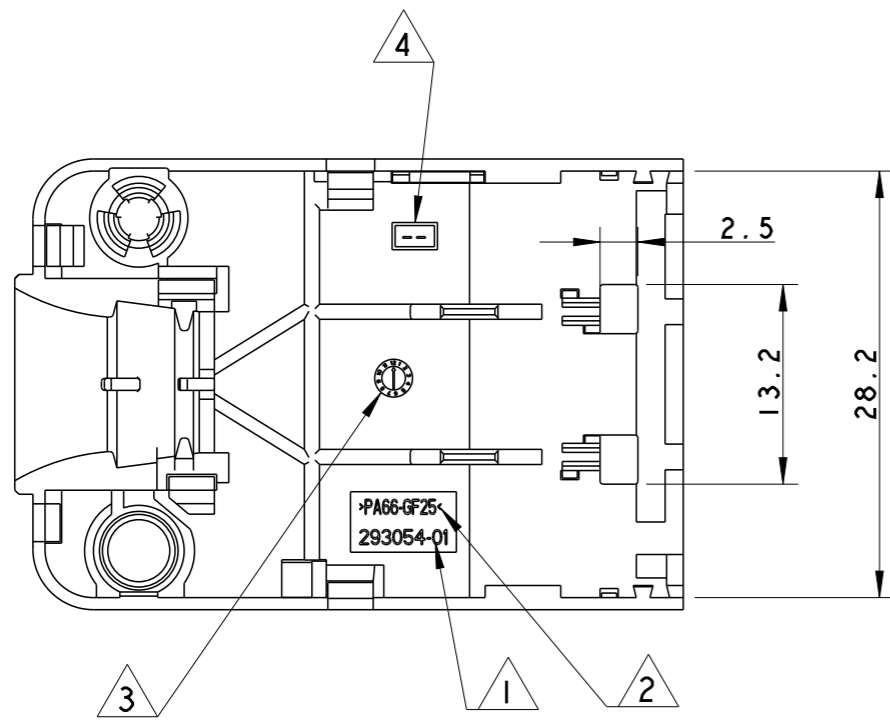


THIS DRAWING IS UNPUBLISHED. RELEASED FOR PUBLICATION 2006  
 © COPYRIGHT 2006 BY TYCO ELECTRONICS CORPORATION. ALL RIGHTS RESERVED.

LOC	DIST	REVISIONS				
P	LTR	DESCRIPTION	DATE	DWN	APVD	
1	-	0	-FIRST ISSUE	04MAY2006	UA	GT
		B	ECR-10-021916	25OCT2010	UA	GT



- NOTES:
- 1 TE P/N
  - 2 RAW MAT'L CODE
  - 3 DATE CODE
  - 4 MOULD CAVITY IDENTIFICATION
  - 5 TE NECTOR TRADEMARK
  - 6 WIRE SIZE INDICATION
    - MIN.: 1.5 sqmm
    - MAX.: 2.5 sqmm
- 7) CABLES TO BE USED:  
 MIN. INSULATION DIA.: 8.3 mm (WIRE SIZE 1.5sqmm)  
 MAX. INSULATION DIA.: 10.2 mm (WIRE SIZE 2.5sqmm)
- 8) PACKAGING ACCORDING TO TYCO SPEC 107-20252
- 9) TO BE USED ON FREE-HANGING VERSION
- SPRING CLAMP VERSION (SEE TE C-DWGS 293046, 293045)
  - SCREW VERSION (SEE TE C-DWGS 293049, 293047)
  - CRIMP VERSION (SEE TE C-DWGS 293052, 293051)
- 10) OPTIONAL SCREWS M3x12 (NOT INCLUDED) ACCORDING TO "UNI9709", OR "UNI 9707", OR "UNI10227", OR "UNI10228"

293054-2	WHITE	B
293054-1	BLACK	B
TYCO P/N	COLOUR	REV.

P/N 293054-1 AS SHOWN

<small>THIS DRAWING IS A CONTROLLED DOCUMENT FOR TYCO ELECTRONICS CORPORATION IT IS SUBJECT TO CHANGE AND THE CONTROLLING ENGINEERING ORGANIZATION SHOULD BE CONTACTED FOR THE LATEST REVISION.</small>		DWN U. AIME 04MAY2006 CHK U. AIME 04MAY2006 APVD G. TURCO 04MAY2006	AMP Italia S.p.A. C.so F.lli Cervi 15 Collegno (TO)
DIMENSIONS: mm 	TOLERANCES UNLESS OTHERWISE SPECIFIED: 0 PLC ±0.3 1 PLC ±0.3 2 PLC ±0.3 3 PLC ±0.3 4 PLC ±0.3 ANGLES ±1 FINISH -	NAME TYCO NECTOR* HERMAPHRODITE HALF SHELL FOR 3 POS. CONN.S PRODUCT SPEC 108-20268 APPLICATION SPEC -	SIZE A3 CAGE CODE 00779 DRAWING NO C-293054 RESTRICTED TO -
MATERIAL PA66 GF25 UL 94 V0	WEIGHT -	CUSTOMER DRAWING	SCALE 5:1 SHEET 1 OF 1 REV B

单击下面可查看定价，库存，交付和生命周期等信息

[>>TE Connectivity\(泰科\)](#)