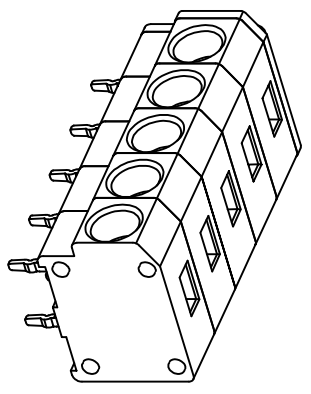
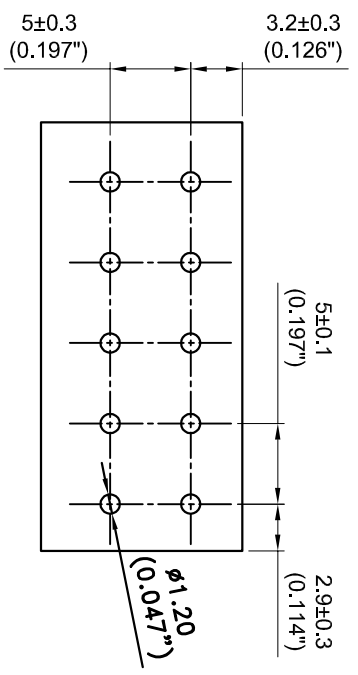
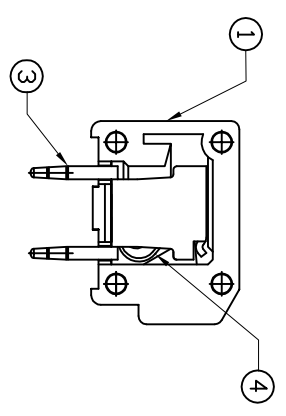
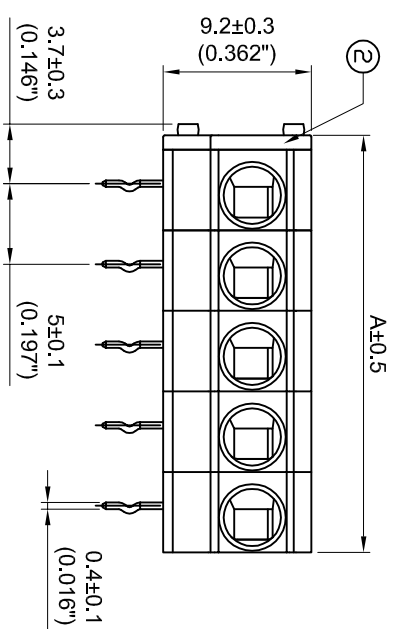
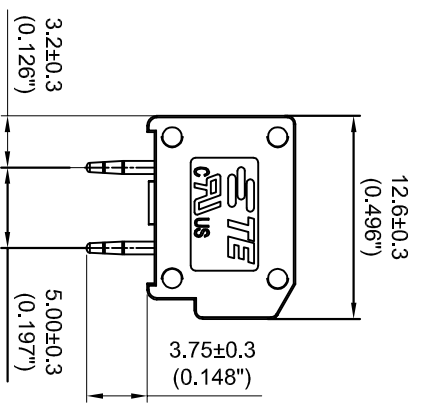


THIS DRAWING IS UNCLASSIFIED
 © COPYRIGHT BY ST - ALL RIGHTS RESERVED

REVISIONS			DATE	DWG	APP'D
1	P	LTR			
2	A	FIRST VERSION			



NOTES :

- 1. MATERIALS AND FINISH:
 - HOUSING: PA66
 - CONTACTS: COPPER, FINISH: TIN OVER NICKEL UNDERPLATE
- 2. MUST COMPLY WITH DIRECTIVE 2002/95/EC (ROHS)
- 3. WIRE TYPES AND SIZES ACCEPTED
- 4. WIRE RANGE: 14AWG~20AWG.
- 5. STRIP LENGTH: 9.0mm~10.0mm
- 6. PACKAGED IN TRAY.
- 7. CURRENT RATING: 10Amp AC300V.
- 8. OPERATION TEMPERATURE: -40°C TO +105°C
- 9. THIS PART NO. IS THE SAME STRUCTURE AS THE SERIES: 2834097
- 10. THE DATASHEET AND MORE DETAILS PLEASE FOLLOW THE SERIES: 2834097

④	③	②	①
WIRE PROTECTOR	CONTACT	COVER	HOUSING
40.90	8 POSN	2834097-7	
35.90	7 POSN	2834097-6	
30.90	6 POSN	2834097-5	
25.90	5 POSN	2834097-4	
20.90	4 POSN	2834097-3	
15.90	3 POSN	2834097-2	
10.90	2 POSN	2834097-1	
COLOR	DIM A	NO. OF POSITIONS	PART NO
GRAY			

THIS DRAWING IS A CONTROLLED DOCUMENT.

DESCRIPTION: TE	DATE: 02DEC2015	REV: 02DEC2015	5.0 Horizontal Entry Screwless Connector
DRAWING NO: 108-137147	REV: 02DEC2015	DATE: 02DEC2015	5.0 Horizontal Entry Screwless Connector
VERSION: 114-137147	DATE: 02DEC2015	REV: 02DEC2015	5.0 Horizontal Entry Screwless Connector

STE TE Connectivity

SIZE: A2	CODE: 00779	REV: C-2834097
SCALE: 1:1	SHEET: 1	REV: A

单击下面可查看定价，库存，交付和生命周期等信息

[>>TE Connectivity\(泰科\)](#)