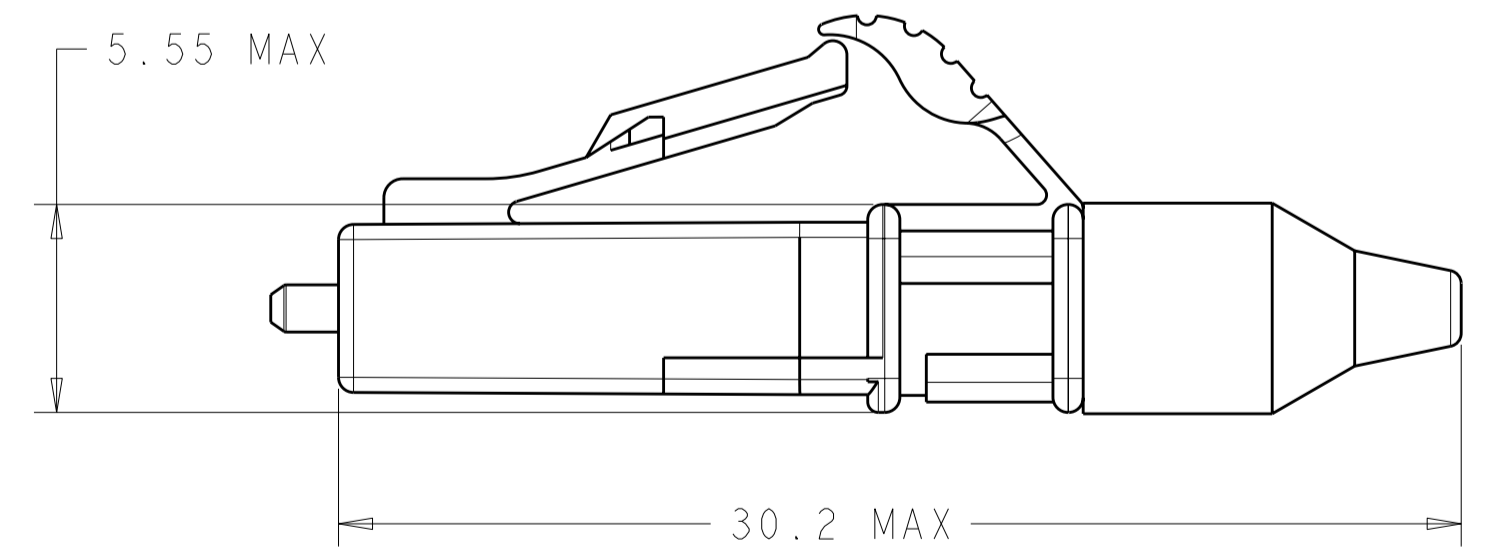
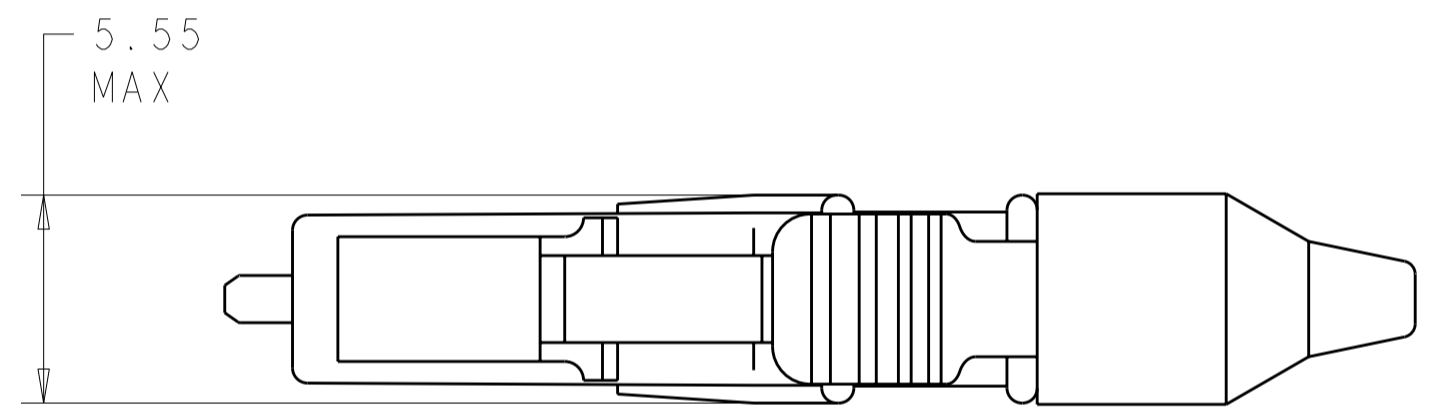
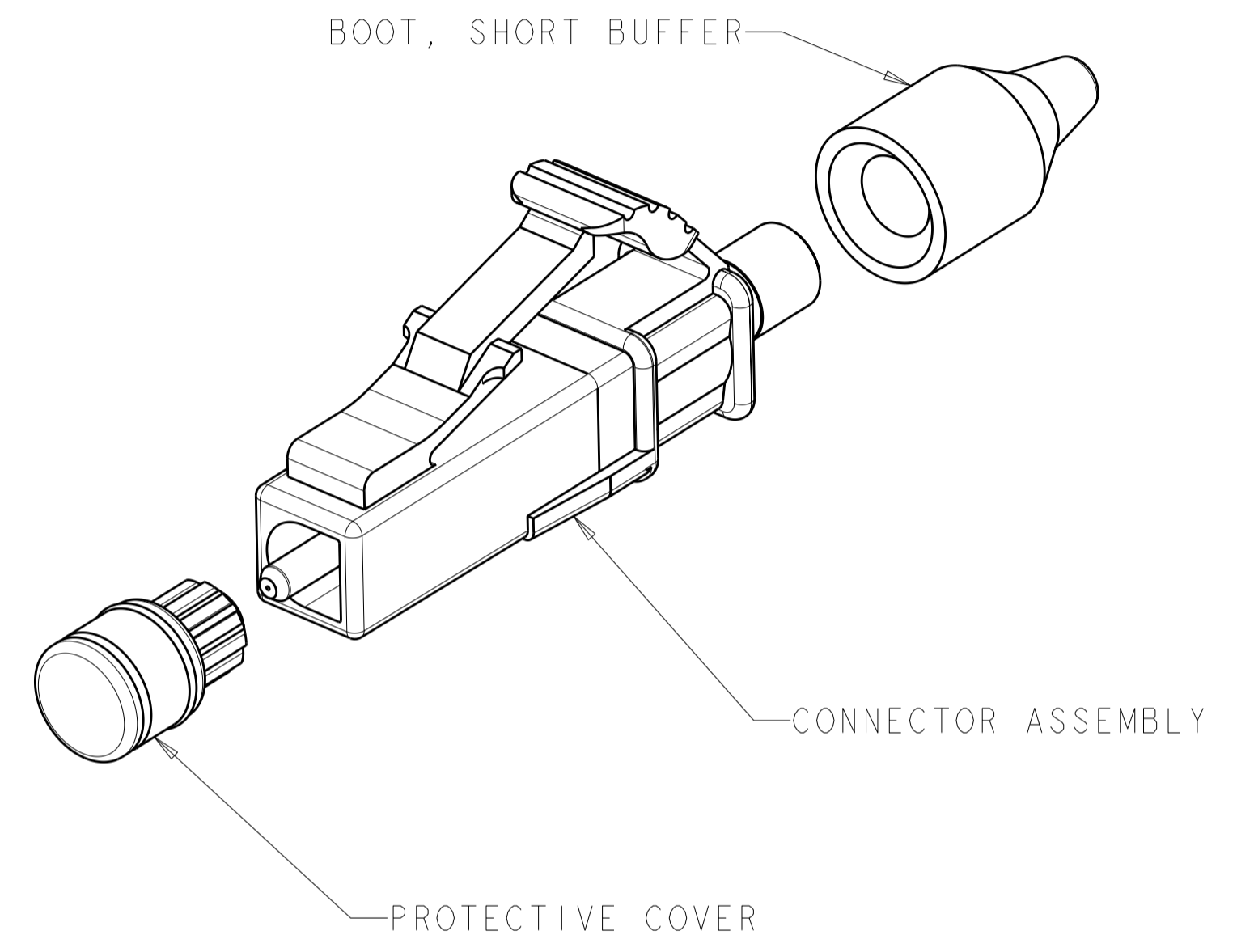


THIS DRAWING IS UNPUBLISHED. RELEASED FOR PUBLICATION 20
 © COPYRIGHT 20 BY TYCO ELECTRONICS CORPORATION. ALL RIGHTS RESERVED.

LOC	DIST	REVISIONS			
P	LTR	DESCRIPTION	DATE	DWN	APVD
CE	00				
	B2	REVISE NOTE 2	12MAR2009	BB	SB
	C	REVISED PER ECR 10-007692	06MAY2010	DLF	CB

⚠ MATERIAL: PROTECTIVE COVER: TPE, COLOR: BLACK, UL 94 V-0. *
 FERRULE SUB ASSEMBLY: ZIRCONIA/METAL.
 COMPRESSION SPRING: STAINLESS STEEL.
 HOUSING: PPSU, COLOR:SEE DASH NO'S.
 INNER TUBING: PTFE, COLOR:CLEAR, UL VW-1.
 REAR BODY : METAL
 BOOT: TPE, COLOR:BEIGE, UL 94 V-0. *
 *RATED AT QUALIFYING THICKNESS.

2. INSTRUCTION SHEET: 408-8675 AVAILABLE FOR DOWNLOAD AT
www.tycoelectronics.com/documents OR www.ampnetconnect.com/foguide.



SLATE	1-1828861-0
ORANGE	1828861-9
VIOLET	1828861-8
BROWN	1828861-7
AQUA	1828861-6
ROSE	1828861-5
BLUE	1828861-4
GREEN	1828861-3
YELLOW	1828861-2
RED	1828861-1
COLOR	PART NO

<small>THIS DRAWING IS A CONTROLLED DOCUMENT FOR TYCO ELECTRONICS CORPORATION IT IS SUBJECT TO CHANGE AND THE CONTROLLING ENGINEERING ORGANIZATION SHOULD BE CONTACTED FOR THE LATEST REVISION.</small>		DWN 22FEB2006 D. ERDMAN CHK 22FEB2006 M. GURRERI APVD 22FEB2006 D. BAECHTLE	Tyco Electronics Harrisburg, PA 17105-3608
DIMENSIONS: MM/[IN]	TOLERANCES UNLESS OTHERWISE SPECIFIED: 0 PLC ± 1 PLC ±0.1/[0.004] 2 PLC ±0.01/[0.0004] 3 PLC ± 4 PLC ± ANGLES ± FINISH	PRODUCT SPEC APPLICATION SPEC WEIGHT	NAME CONNECTOR KIT, LC, SECURE, SIMPLEX, MM, 900um BUFFER SIZE CAGE CODE DRAWING NO RESTRICTED TO A2 00779 C-1828861
MATERIAL ⚠ -		CUSTOMER DRAWING	SCALE 5:1 SHEET 1 OF 1 REV C

单击下面可查看定价，库存，交付和生命周期等信息

[>>TE Connectivity\(泰科\)](#)