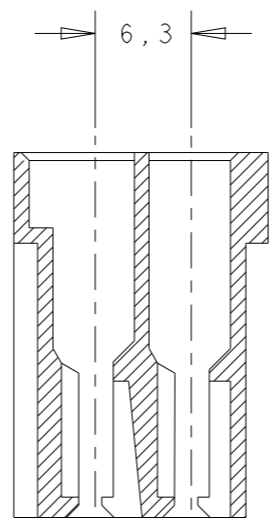
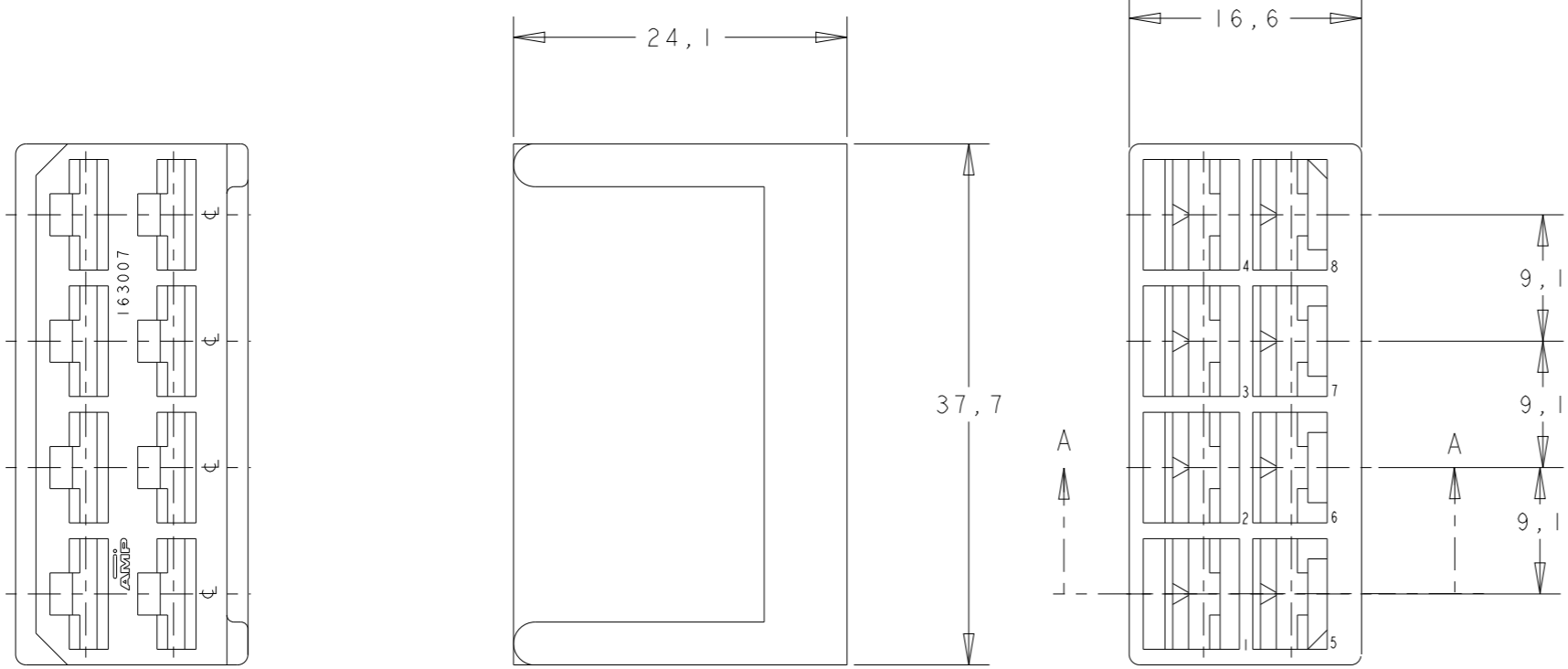


REVISIONS

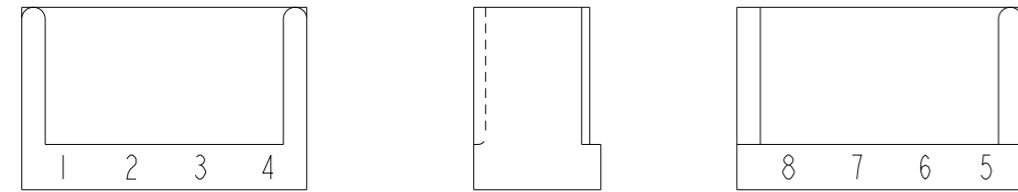
| P | LTR | DESCRIPTION               | DATE      | DWN | APVD |
|---|-----|---------------------------|-----------|-----|------|
|   | D3  | REVISED PER ECR-21-118186 | 29OCT2021 | SS  | EW   |
|   |     |                           |           |     |      |
|   |     |                           |           |     |      |

DIMENSIONS IN mm




SECTION A-A

THESE VIEWS SHOW THE EXTRA NUMBERING FOR: 1-163007-0



| ORDER NO.  | COLOUR | MATERIAL |
|------------|--------|----------|
| 1-163007-0 | CLEAR  | PA 6/6   |
| 163007-9   | ORANGE | PA 6/6   |
| 163007-8   | VIOLET | PA 6/6   |
| 163007-7   | GREY   | PA 6/6   |
| 163007-6   | BROWN  | PA 6/6   |
| 163007-5   | BLACK  | PA 6/6   |
| 163007-4   | YELLOW | PA 6/6   |
| 163007-3   | BLUE   | PA 6/6   |
| 163007-2   | GREEN  | PA 6/6   |
| 163007-1   | RED    | PA 6/6   |
| 163007-0   | CLEAR  | PA 6/6   |

|   |  |                      |  |                                      |                 |
|---|--|----------------------|--|--------------------------------------|-----------------|
| THIS DRAWING IS A CONTROLLED DOCUMENT.                                |  | DWN RvHEUVEN 14AUG07 | <br>TE Connectivity | NAME 8 WAY FASTIN-ON RECEPT. HOUSING |                 |
| DIMENSIONS: mm  |  | CHK MvDRIEL 14AUG07  |  | PRODUCT SPEC                         |                 |
| TOLERANCES UNLESS OTHERWISE SPECIFIED:                                |  | APVD MvDRIEL 14AUG07 |  | APPLICATION SPEC                     |                 |
| 0 PLC ±-<br>1 PLC ±-<br>2 PLC ±-<br>3 PLC ±-<br>4 PLC ±-<br>ANGLES ±- |  | WEIGHT -             |  | SIZE A3                              | CAGE CODE 00779 |
| MATERIAL material_2   |  | FINISH finish_spec_2 | CUSTOMER DRAWING   |                                      | RESTRICTED TO - |
|   |  |                      | SCALE NTS  | SHEET 1 OF 1                         | REV D3          |

单击下面可查看定价，库存，交付和生命周期等信息

[>>TE Connectivity\(泰科\)](#)