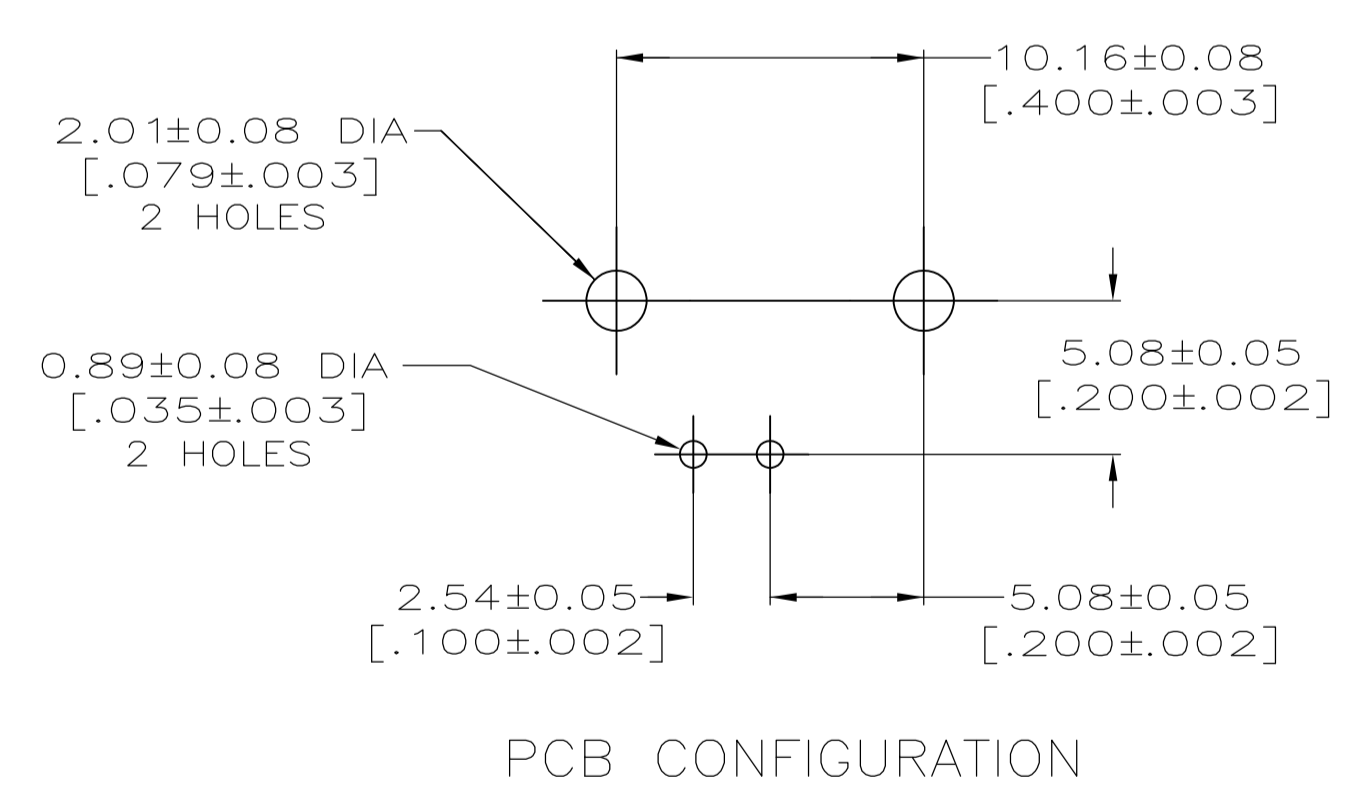
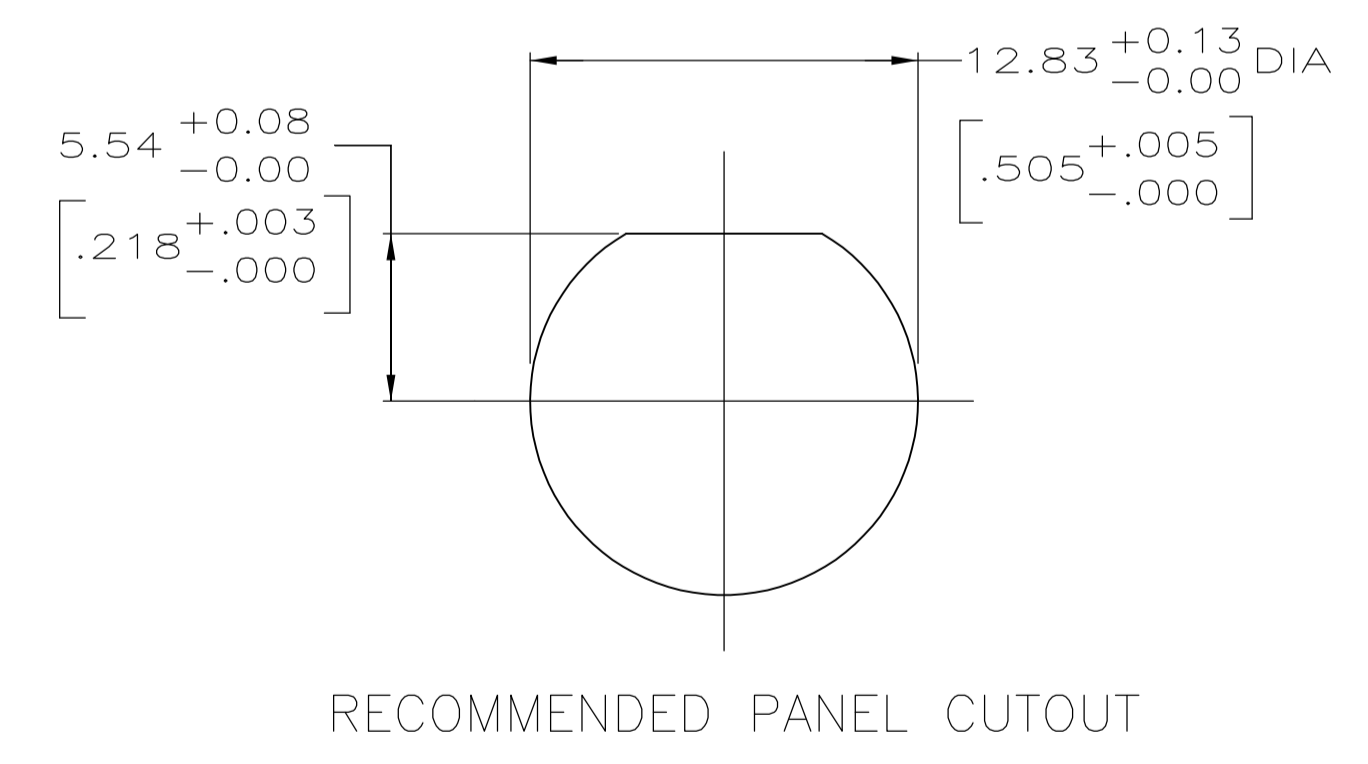
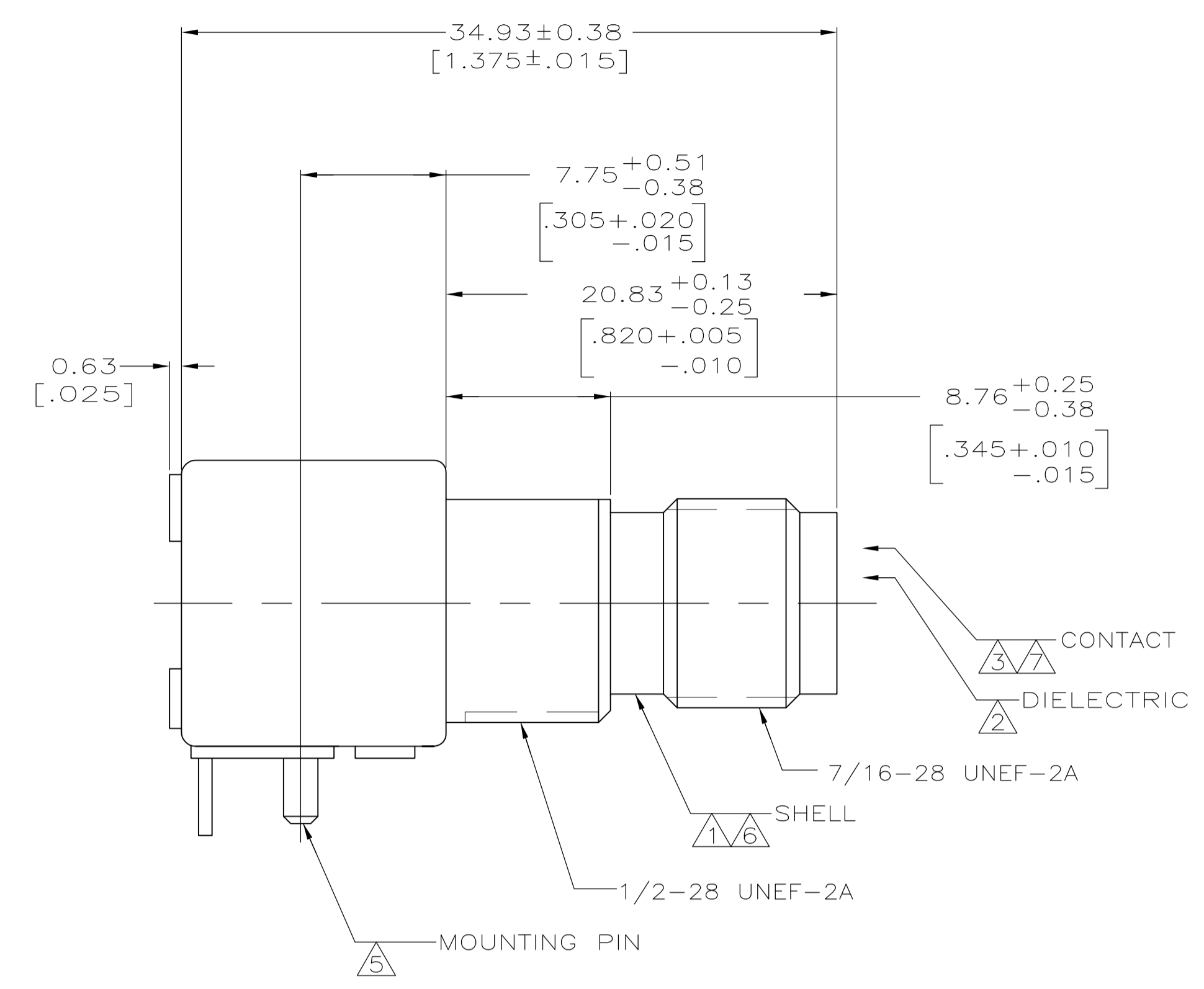
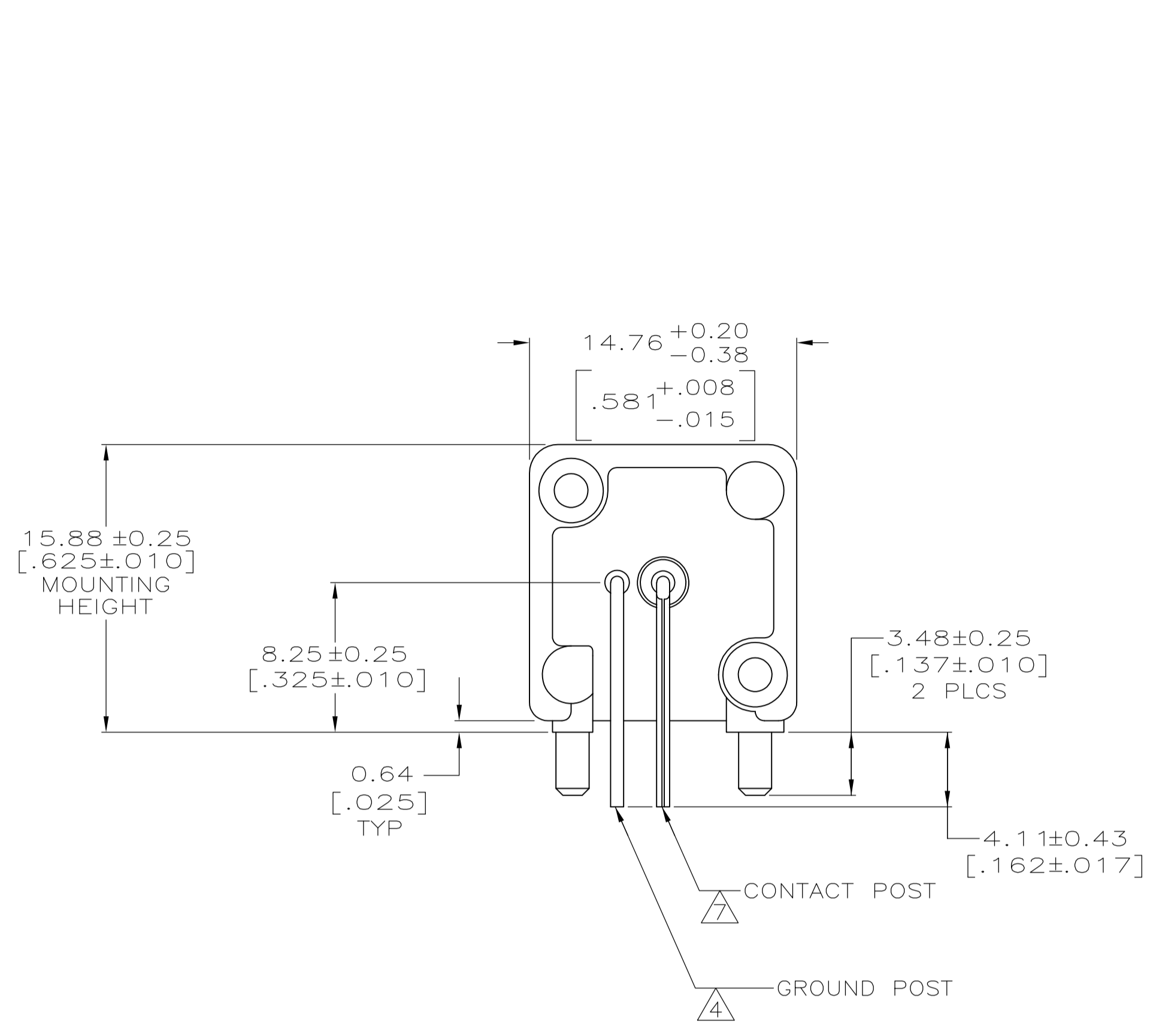


LOC		DIST		REVISIONS			
P	LTR	DESCRIPTION	DATE	DN	APVD		
AJ	16			A1	REVISED PER ECO-11-005030	11MAR11	RK HMR



- ① ZINC PER QQ-Z-363.
- ② POLYMETHYLPENTENE, GENERAL PURPOSE.
- ③ PHOSPHOR BRONZE PER QQ-B-750.
- ④ BRASS PER ASTM-B-453.
- ⑤ BRASS PER ASTM-B-16.
- ⑥ NICKEL PLATE PER QQ-N-290, 3.81 μ m [.000150] MINIMUM THICK.
- ⑦ GOLD PLATE PER MIL-G-45204, 0.76 μ m [.000030] MINIMUM THICK.

5227839-1
PART NUMBER

THIS DRAWING IS A CONTROLLED DOCUMENT.		DIN L VARELA - DOCKS 21APR2005		TE Connectivity	
DIMENSIONS: mm [INCHES]		TOLERANCES UNLESS OTHERWISE SPECIFIED:			
		0 PLC ± - 1 PLC ± - 2 PLC ± 0.20 [.008] 3 PLC ± - 4 PLC ± - ANGLES ± -		CHK J HAVENER 21APR2005 APVD J LIPPERT 21APR2005 PRODUCT SPEC APPLICATION SPEC	
MATERIAL SEE NOTES 1-4		FINISH SEE NOTES 5-7		NAME JACK, RIGHT ANGLE, 50 OHM, PCB, TNC SIZE CAGE CODE DRAWING NO A1 00779 C=5227839 WEIGHT - CUSTOMER DRAWING SCALE 4:1 SHEET 1 OF 1 REV A1	

单击下面可查看定价，库存，交付和生命周期等信息

[>>TE Connectivity\(泰科\)](#)