

THIS DRAWING IS UNPUBLISHED.

RELEASED FOR PUBLICATION

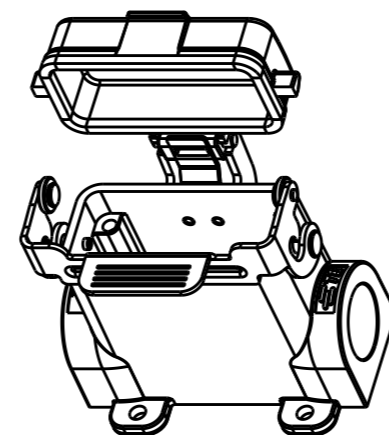
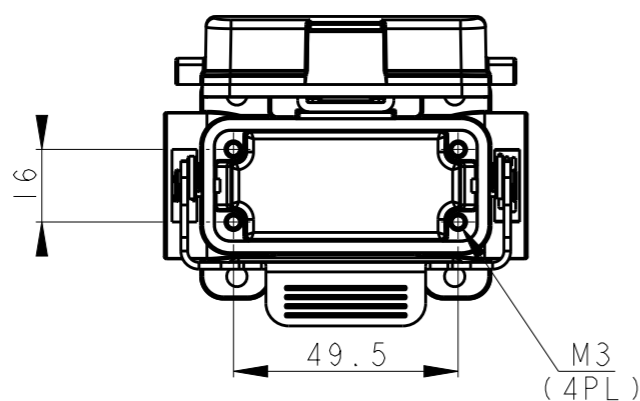
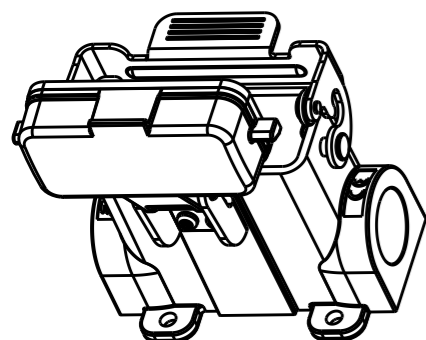
20

© COPYRIGHT 20 BY -

ALL RIGHTS RESERVED.

REVISIONS

P	LTR	DESCRIPTION	DATE	DWN	APVD
A		INITIAL RELEASE	24APR2015	DL	CW
B		ECR-20-008424	14DEC2020	BS	CW

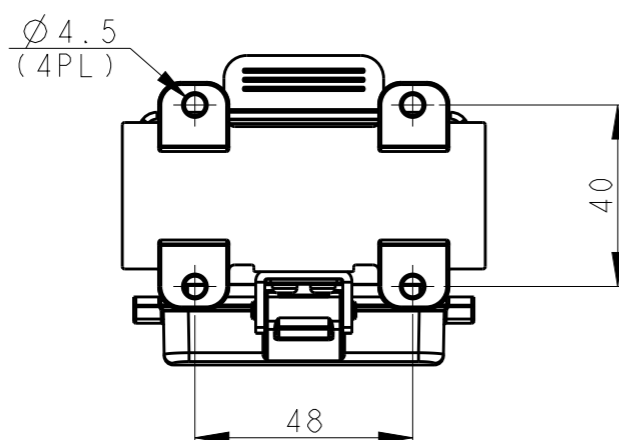
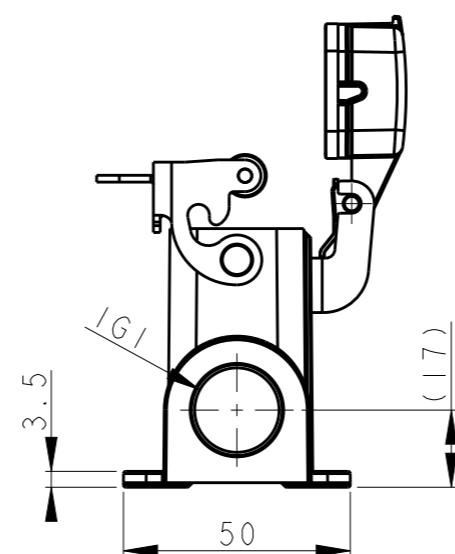
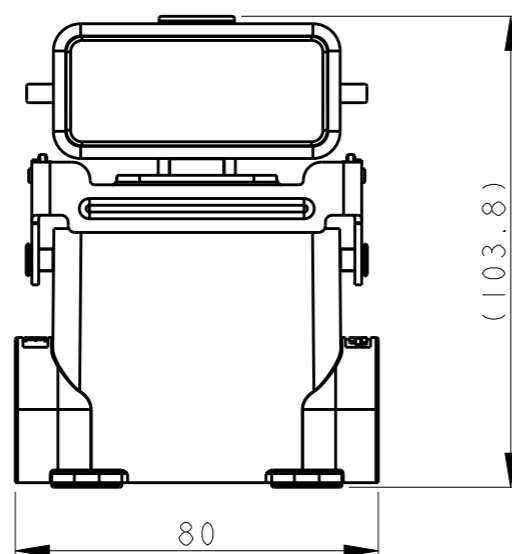
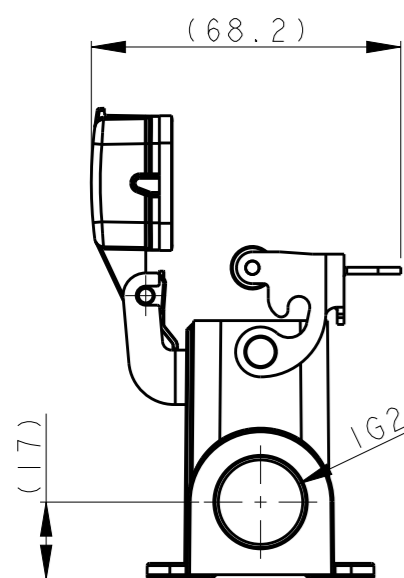


NOTES:

- 1. TECHNICAL CHARACTERISTICS:
 BODY MATERIAL: DIE CAST ALUMINIUM ALLOY
 SURFACE TREATMENT: POWDER-COATED, GRAY
 DEGREE OF PROTECTION: IP65 (MATED)

注释:

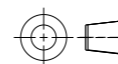
- 1. 技术参数:
 主体材料: 铝合金
 表面处理: 粉末喷涂, 灰色
 防护等级: IP65(配合)



T1629101116-000	H10A-SDRMS-PG16	PG16	-
T1629101120-000	H10A-SDRMS-M20	M20	-
T1629101121-000	H10A-SDRMS-PG21	PG21	-
T1629101125-000	H10A-SDRMS-M25	M25	-
T1629101216-000	H10A-SDRMS-2PG16	PG16	PG16
T1629101220-000	H10A-SDRMS-2M20	M20	M20
T1629101221-000	H10A-SDRMS-2PG21	PG21	PG21
T1629101225-000	H10A-SDRMS-2M25	M25	M25
ASSEMBLY PART NUMBER	ASSEMBLY PART DESCRIPTION	1G1	1G2

THIS DRAWING IS A CONTROLLED DOCUMENT.

DIMENSIONS: mm



TOLERANCES UNLESS OTHERWISE SPECIFIED:

0 PLC	±-
1 PLC	±-
2 PLC	±-
3 PLC	±-
4 PLC	±-
ANGLES	±-
FINISH	-

MATERIAL -

DWN 24APR2015
 DAVID LI
 CHK 24APR2015
 CHRIS WANG
 APVD 24APR2015
 XU XIANG

PRODUCT SPEC 108-137010
 APPLICATION SPEC 108-137010
 WEIGHT -



TE Connectivity

NAME H10A-SDRMS-PG/M

SIZE A3 CAGE CODE - DRAWING NO. C-T1629101XXX000 RESTRICTED TO -

CUSTOMER DRAWING SCALE 3:5 SHEET 1 OF 1 REV B

单击下面可查看定价，库存，交付和生命周期等信息

[>>TE Connectivity\(泰科\)](#)