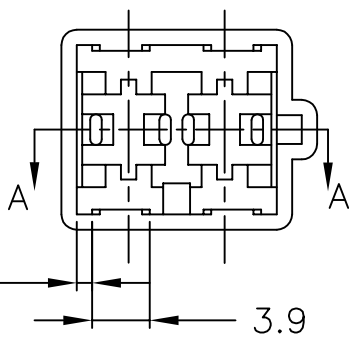
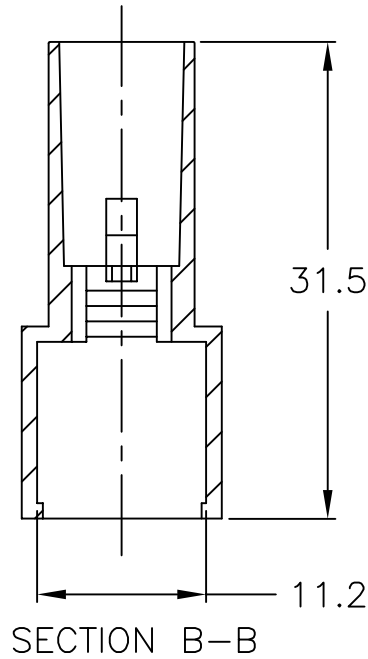
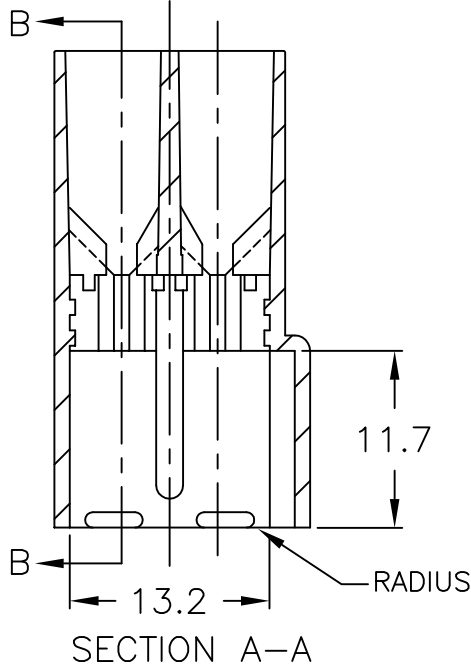
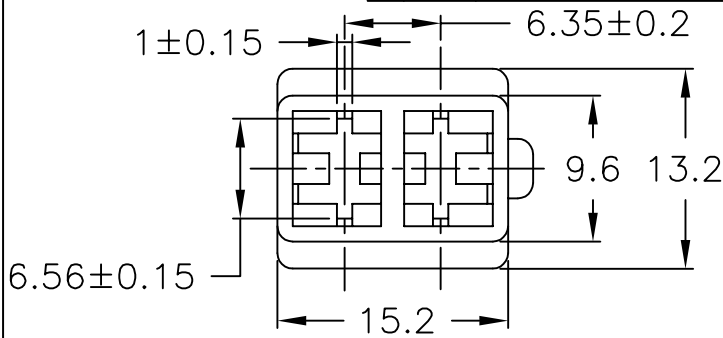


REVISIONS					
P	LTR	DESCRIPTION	DATE	DWN	APVD
	L	REDRAWN PER ECR-17-015744	25OCT2017	BDA	GG



1 OBSOLETE PARTS: OBSOLETE CIS STREAMLINING PER D.RENAUD/D.SINISI

1 OBSOLETE

NOTES	COLOUR	MATERIAL	PART NUMBER
	BLACK	NYLON 6/6	280542-5
	RED		280542-1
	NATURAL		280542-0

RELEASED FOR PUBLICATION

ALL RIGHTS RESERVED.

© COPYRIGHT - TE Connectivity

DIMENSIONS: mm	
TOLERANCES UNLESS OTHERWISE SPECIFIED:	
0 PLC	± -
1 PLC	± 0.4
2 PLC	± -
3 PLC	± -
4 PLC	± -
ANGLES	± 1°

DWN	25OCT2017	MATERIAL	SEE TABLE	FINISH	SEE TABLE
CHK	25OCT2017	TE Connectivity			
APVD	25OCT2017				
PRODUCT SPEC	-				
APPLICATION SPEC	-	NAME	2 WAY .250 SRS FASTIN-ON TAB HSG		
WEIGHT	-	SIZE	A4	CAGE CODE	00779
CUSTOMER DRAWING		DRAWING NO	C=280542		RESTRICTED TO

SCALE		2:1	SHEET		1 OF 1	REV	L
-------	--	-----	-------	--	--------	-----	---

单击下面可查看定价，库存，交付和生命周期等信息

[>>TE Connectivity\(泰科\)](#)