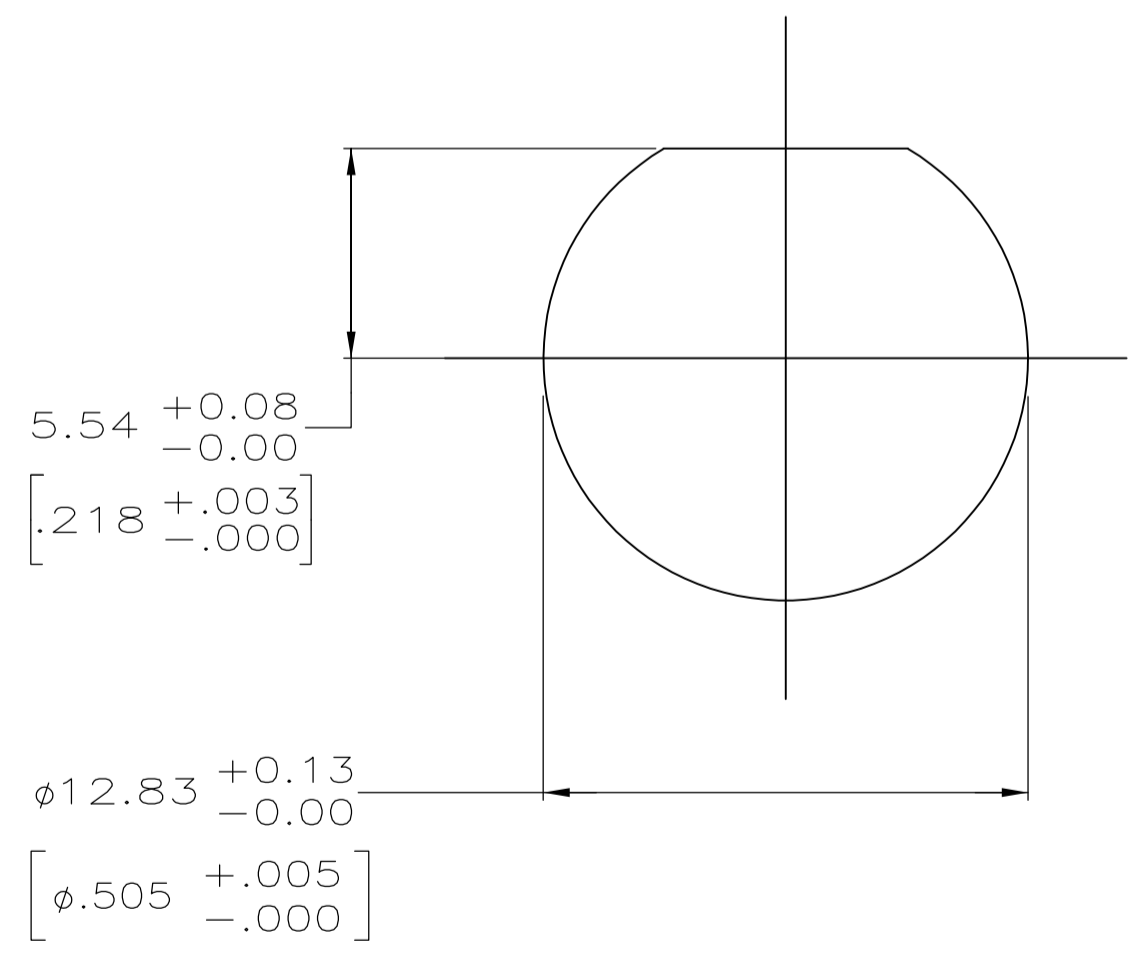
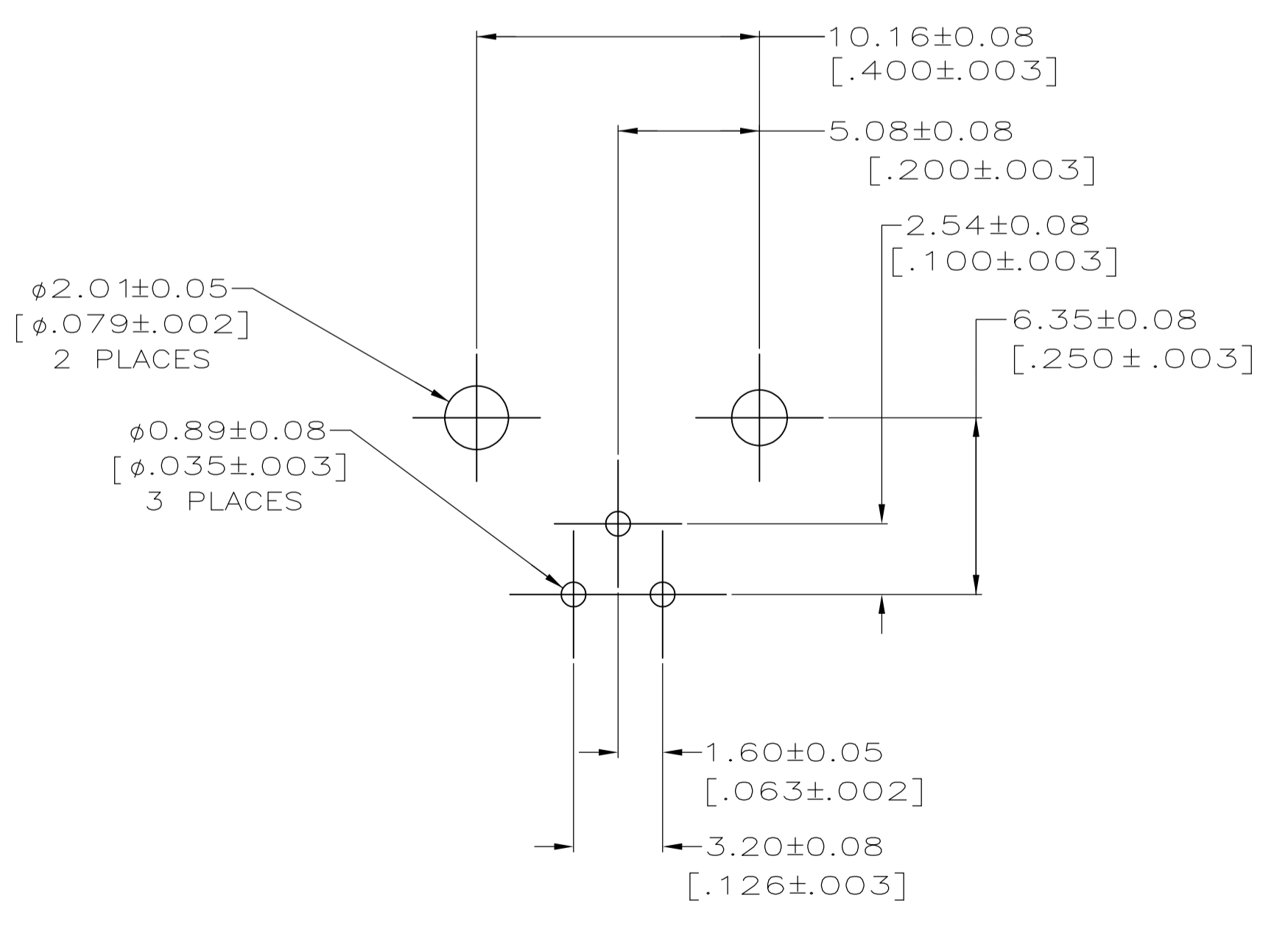


- 1 POLYESTER, PBT, 15% GLASS FIBER REINFORCED, NATURAL, PER MIL-M-24519.
- 2 ZINC PER QQ-Z-363.
- 3 POLYMETHYLPENTENE, GENERAL PURPOSE.
- 4 PHOSPHOR BRONZE PER QQ-B-750.
- 5 BRASS PER QQ-B-626.
- 6 BRASS PER ASTM-B-453.
- 7 NICKEL PL PER QQ-N-290, 3.81 µm [.000150] MINIMUM THICK
- 8 GOLD PL PER MIL-G-45204, 0.76 µm [.000030] MINIMUM THICK
- 9 TIN PL PER ASTM-B-545 3.81 µm [.000150] MINIMUM THICK



PCB CONFIGURATION

RECOMMENDED PANEL CUTOUT

5228686-1
PART NO

THIS DRAWING IS A CONTROLLED DOCUMENT.		DIN L VARELA - DOCKS 21APR2005		STE TE Connectivity	
DIMENSIONS: INCHES		CHK J HAVENER 21APR2005		NAME JACK ASSEMBLY, RIGHT ANGLE, PCB, SERIES TWIN BNC	
TOLERANCES UNLESS OTHERWISE SPECIFIED:		APVD J LIPPERT 21APR2005		PRODUCT SPEC	
0 PLC ± -		APPLICATION SPEC		SIZE CAGE CODE DRAWING NO	
1 PLC ± -		RESTRICTED TO		A1 00779 C=5228686	
2 PLC ± 0.20[.008]		MATERIAL		WEIGHT	
3 PLC ± -		FINISH		SCALE 5:1 SHEET 1 OF 1 REV A1	
4 PLC ± -		CUSTOMER DRAWING			
ANGLES ± -					

单击下面可查看定价，库存，交付和生命周期等信息

[>>TE Connectivity\(泰科\)](#)