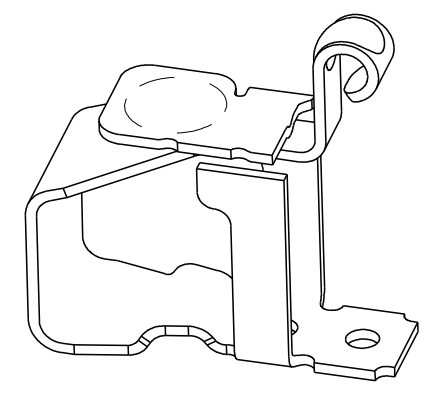
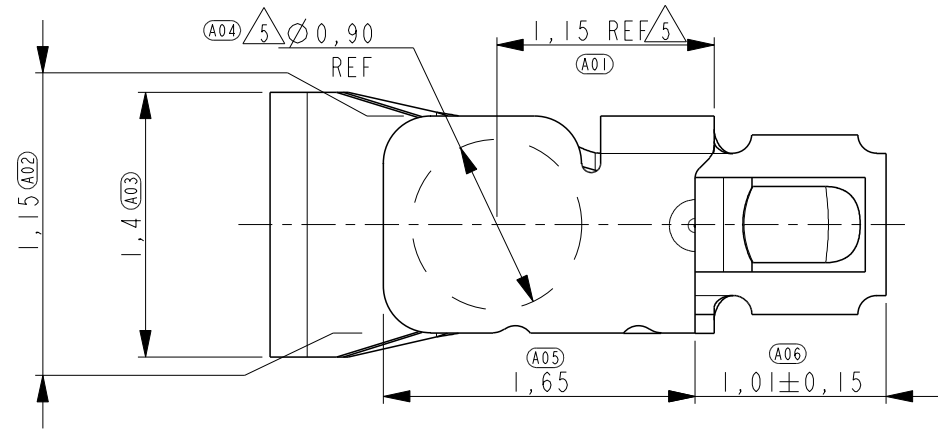
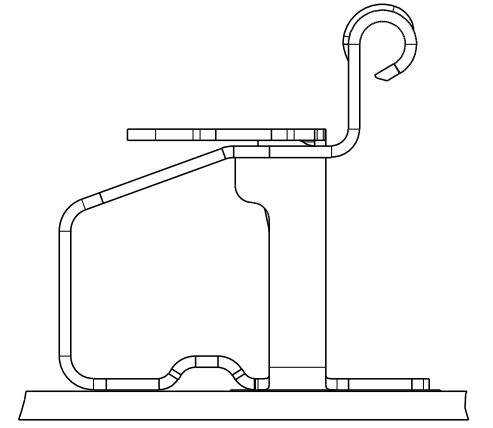


THIS DRAWING IS UNPUBLISHED. RELEASED FOR PUBLICATION
 © COPYRIGHT - BY - ALL RIGHTS RESERVED.

LOC	DIST	REVISIONS			
P	LTR	DESCRIPTION	DATE	DWN	APVD
ES	00	A	NEW RELEASE	7DEC2012	T.Z S.Y
		AI	UPDATED PER ECR-14-004955	27JUL2014	T.Q W.K

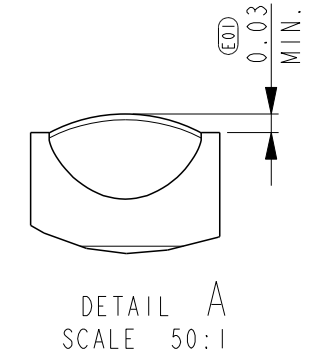
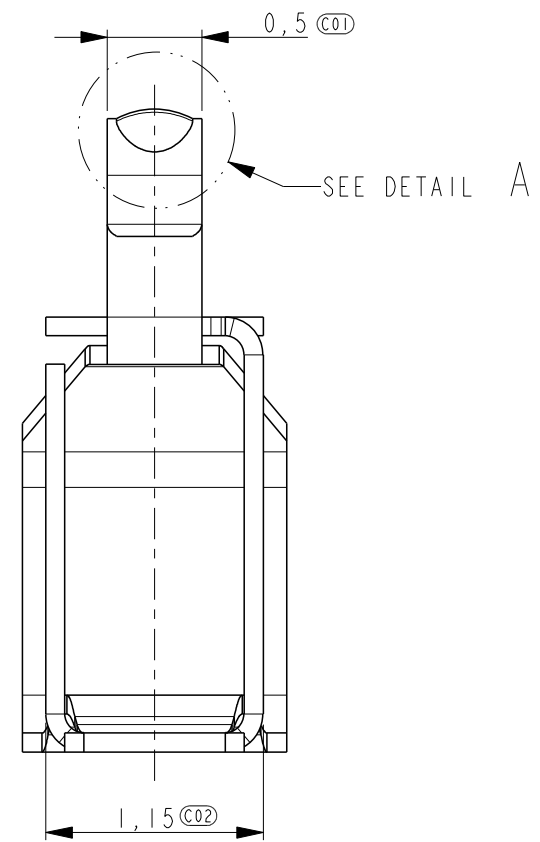
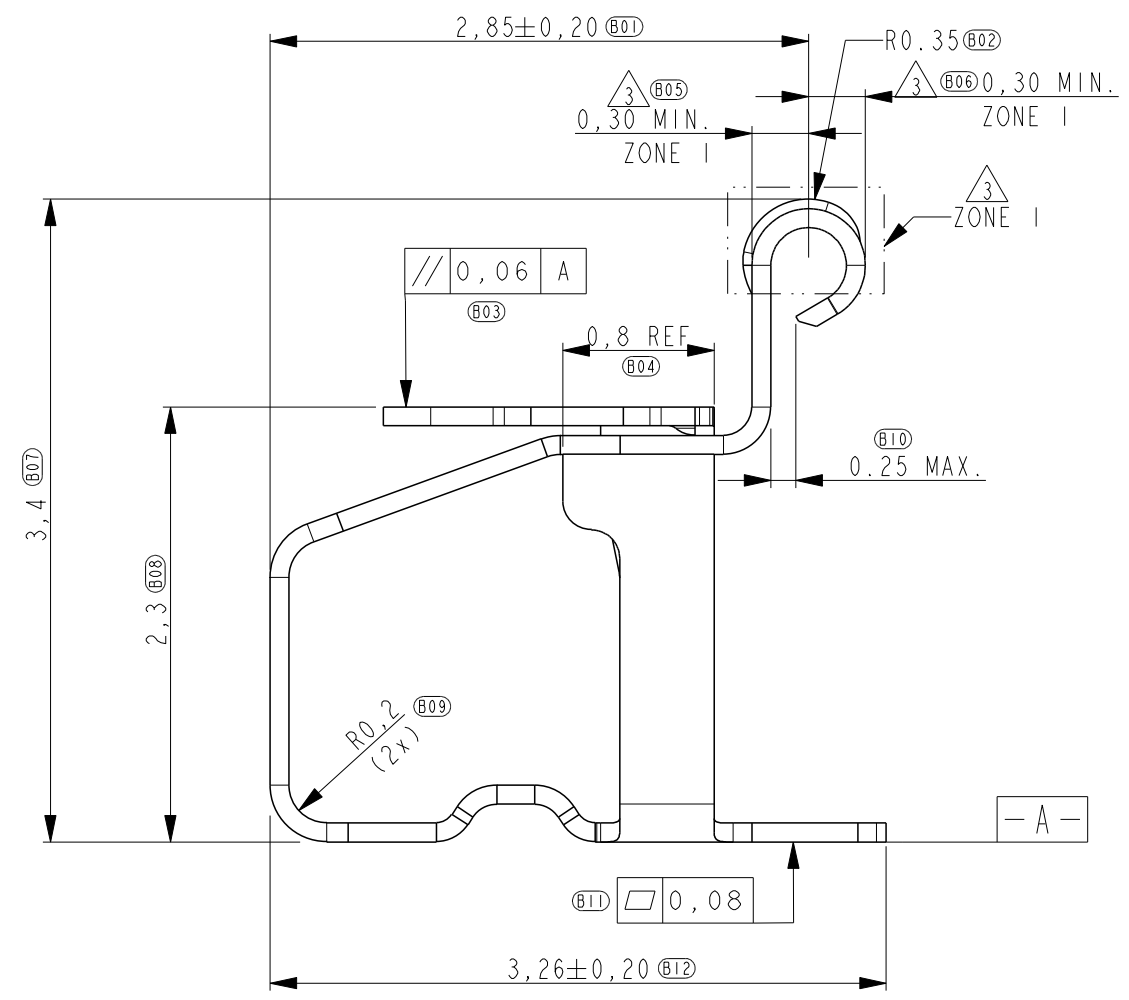


SCALE 15:1

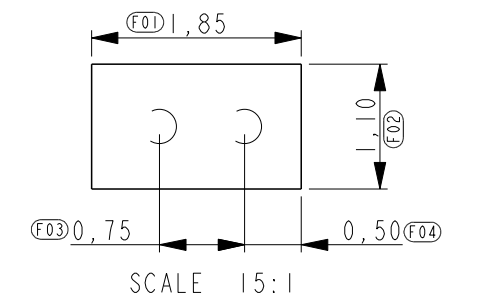


SCALE 15:1

REFERENCE VIEW FOR COMPONENT PLACEMENT



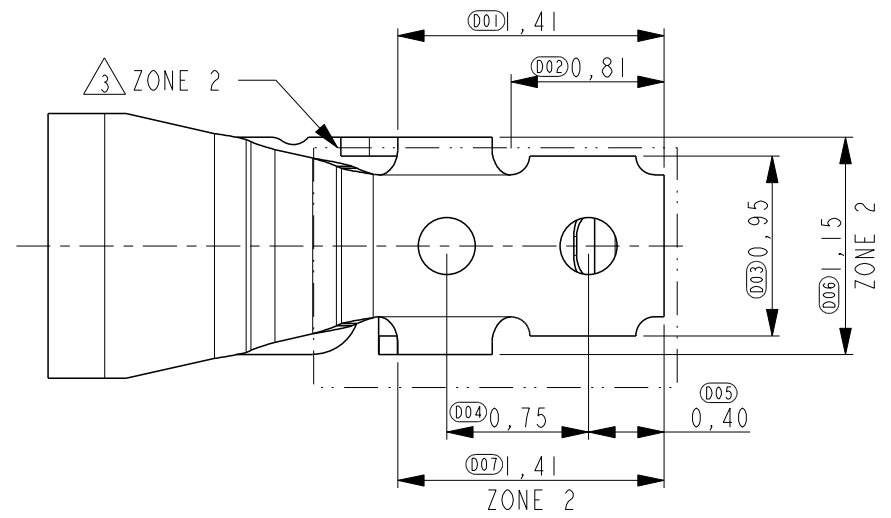
DETAIL A SCALE 50:1



SCALE 15:1

RECOMMENDED PWB LAY-OUT(±0.05)
 DASHED CIRCLES ARE THE LOCATION OF THE SPRING FINGER BOTTOM HOLES

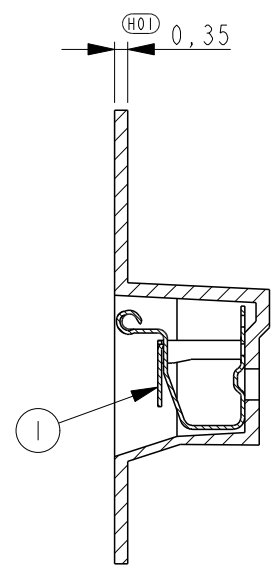
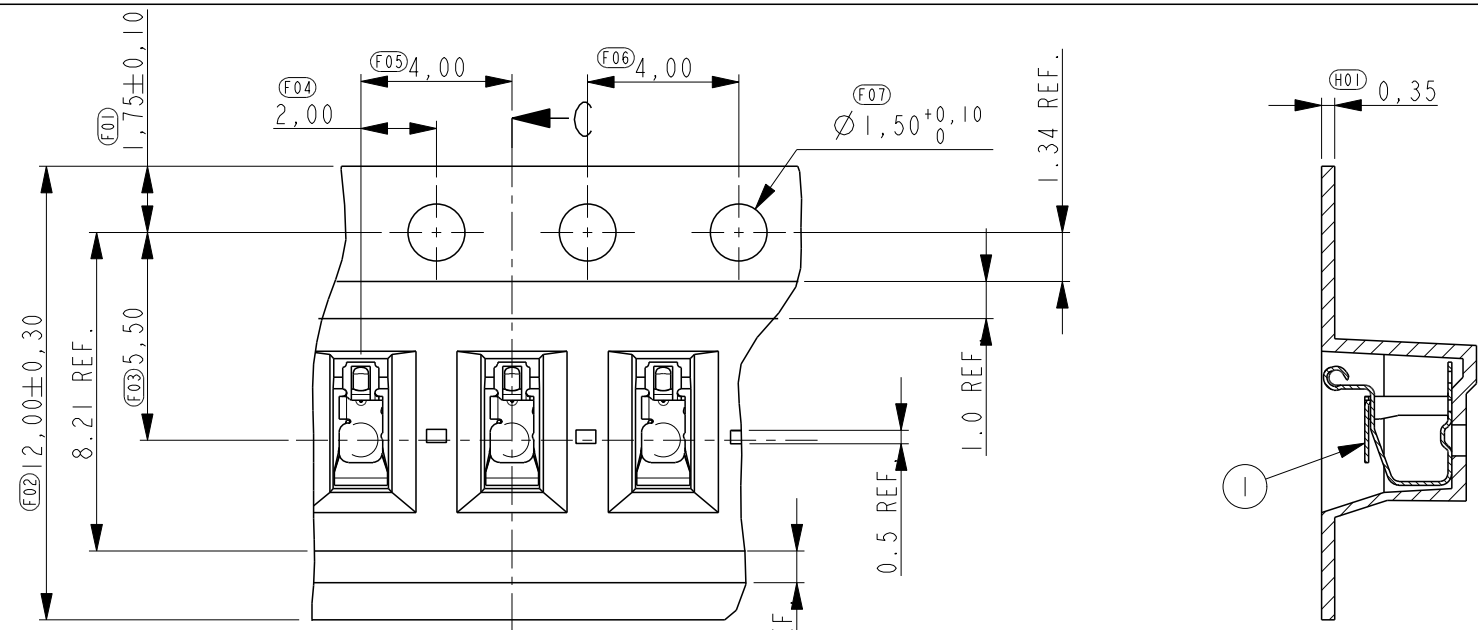
- 1 PART NUMBER: 1551576-5 AS SHOWN.
- 2 MATERIAL: STAINLESS STEEL.
- 3 PLATING: 1,3um MIN. NICKEL UNDERLAYER ALL OVER
 ZONE 1: 0,30um MIN. GOLD
 ZONE 2: 0,01-0,2um GOLD FLASH
- 4 NORMAL FORCE: 0.6±0.2N AT NORMAL HEIGHT 2.8MM.
- 5 INDICATED SURFACE TO BE USED AS PICK AND PLACE SURFACE.



THIS DRAWING IS A CONTROLLED DOCUMENT.		DWN Tony Zhang 15NOV2011	TE Connectivity		
		CHK Xu Xiang 15NOV2011			
DIMENSIONS: mm		APVD Steven Yao 15NOV2011	NAME SPRING FINGER H=3,40		
TOLERANCES UNLESS OTHERWISE SPECIFIED:		PRODUCT SPEC 108-115008	RESTRICTED TO		
0 PLC ±0.2		APPLICATION SPEC	SIZE A3	CAGE CODE 00779	DRAWING NO C=1551576
1 PLC ±0.1		WEIGHT -	SCALE 25:1 SHEET 1 OF 2 REV AI		
2 PLC ±0.1		CUSTOMER DRAWING			
3 PLC ±0.05					
4 PLC ±					
ANGLES ±5°					
FINISH					
MATERIAL					

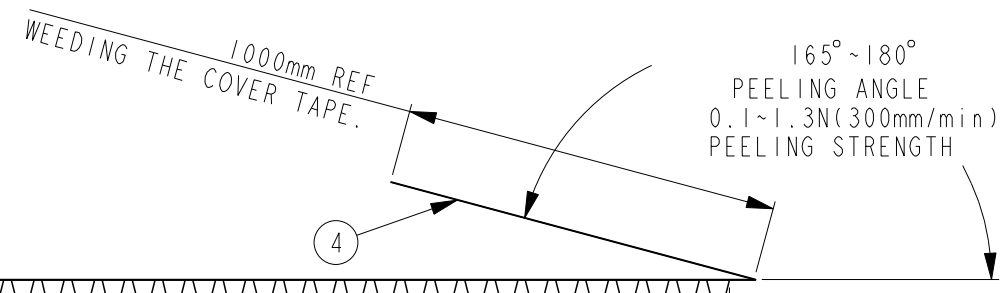
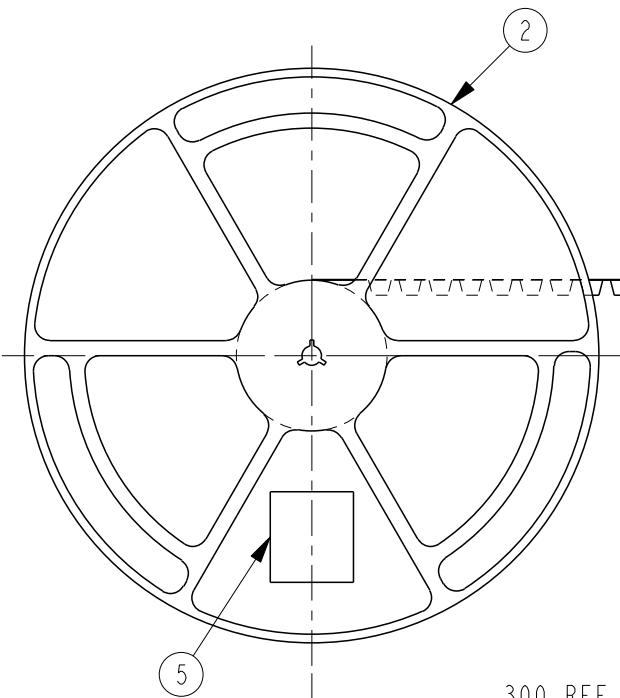
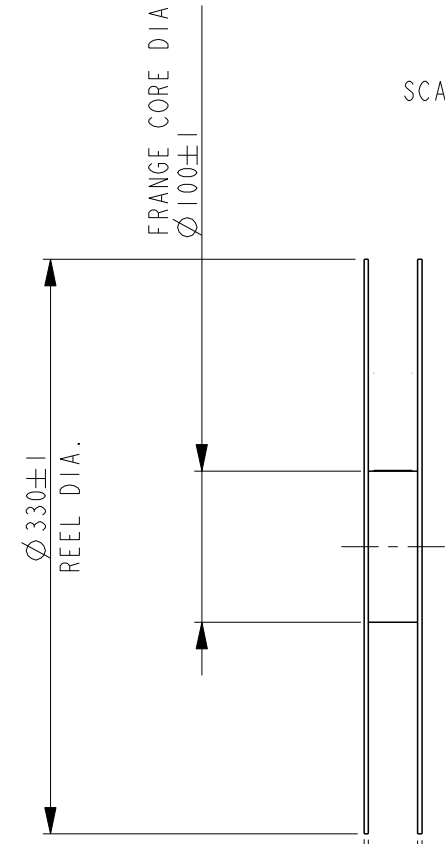
THIS DRAWING IS UNPUBLISHED. RELEASED FOR PUBLICATION
 © COPYRIGHT - BY - ALL RIGHTS RESERVED.

LOC	DIST	REVISIONS			
P	LTR	DESCRIPTION	DATE	DWN	APVD
ES	00	SEE SHEET 1	-	-	-



SCALE 5:1

SECTION C-C



QTY	DESCRIPTION	ITEM
1	LABEL	(5)
1	COVER TAPE (HEAT SEALING)	(4)
1	EMBOSS	(3)
1	PLASTIC REEL	(2)
4000	SPRING FINGER	(1)

+2
12.4 0
18.4 MAX
REEL WIDTH

300 REF WITHOUT CHARGE WITH PRODUCT CHARGE 4000EA/IREEL WITHOUT CHARGE 100~125HOLES

THIS DRAWING IS A CONTROLLED DOCUMENT.

DIMENSIONS: mm	TOLERANCES UNLESS OTHERWISE SPECIFIED:	DWN	TE Connectivity NAME: SPRING FINGER H=3,40
	0 PLC ±0.2	CHK	
	1 PLC ±0.1	APVD	
	2 PLC ±0.1	PRODUCT SPEC	
	3 PLC ±0.05	APPLICATION SPEC	
MATERIAL	4 PLC ANGLES ±	WEIGHT	SIZE: A3 CAGE CODE: 00779 DRAWING NO: C-1551576 RESTRICTED TO: -
	FINISH	CUSTOMER DRAWING	SCALE: 25:1 SHEET 2 OF 2 REV A1

单击下面可查看定价，库存，交付和生命周期等信息

[>>TE Connectivity\(泰科\)](#)