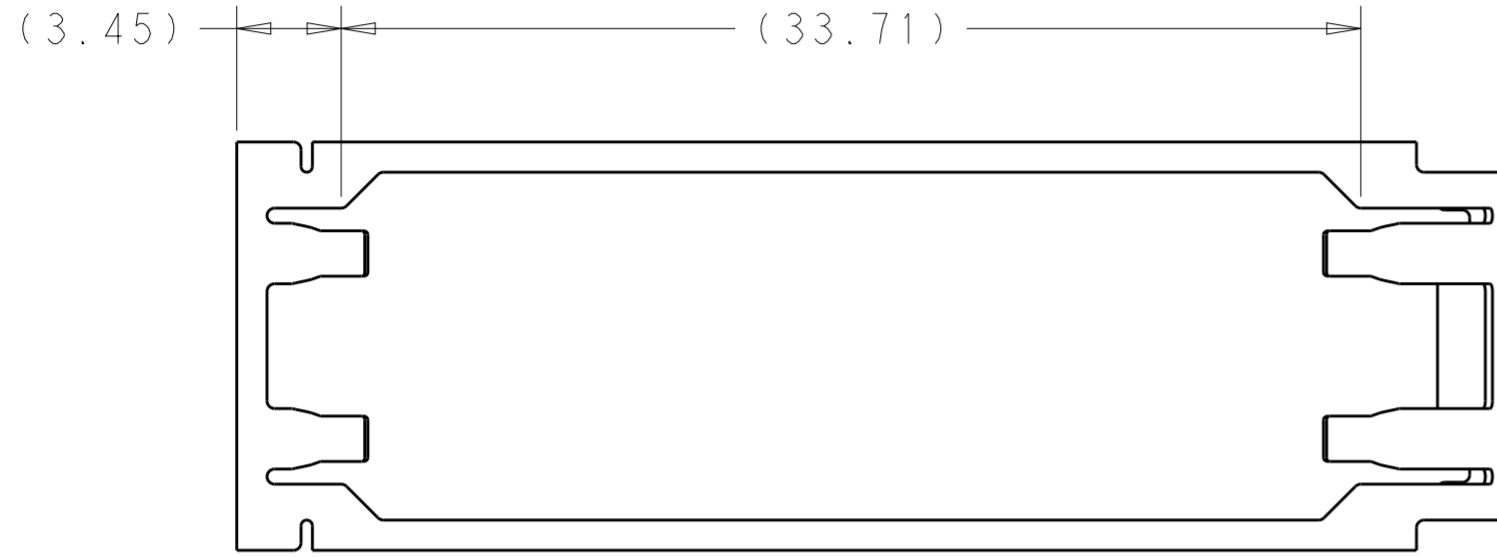
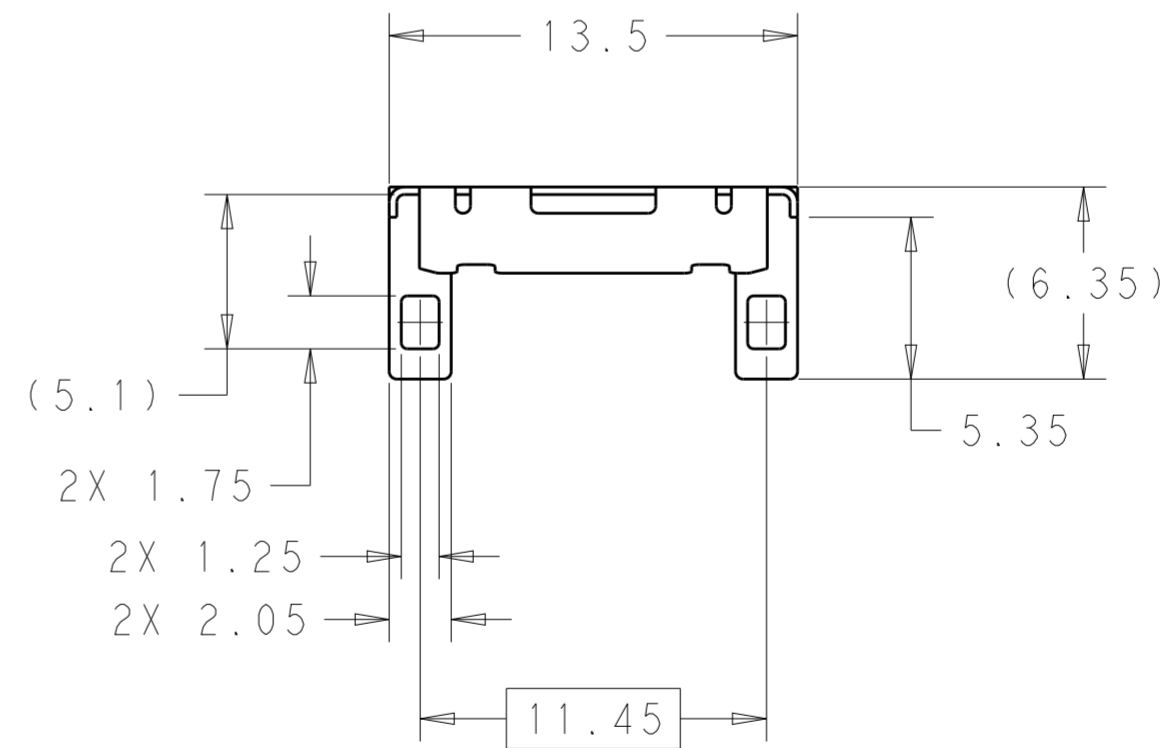
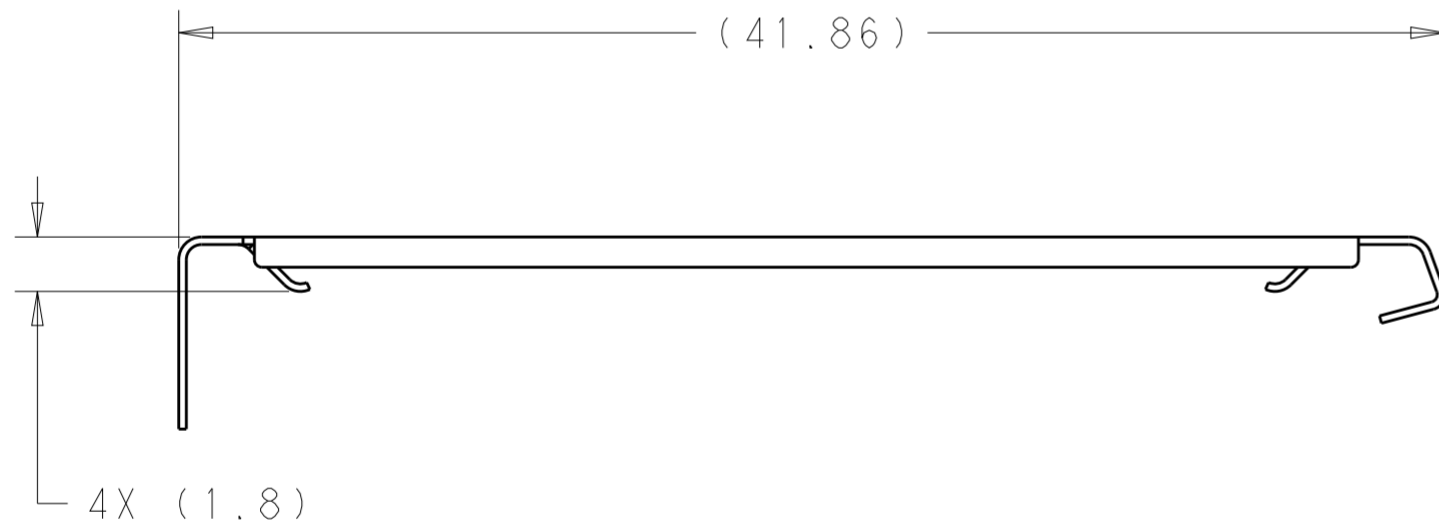
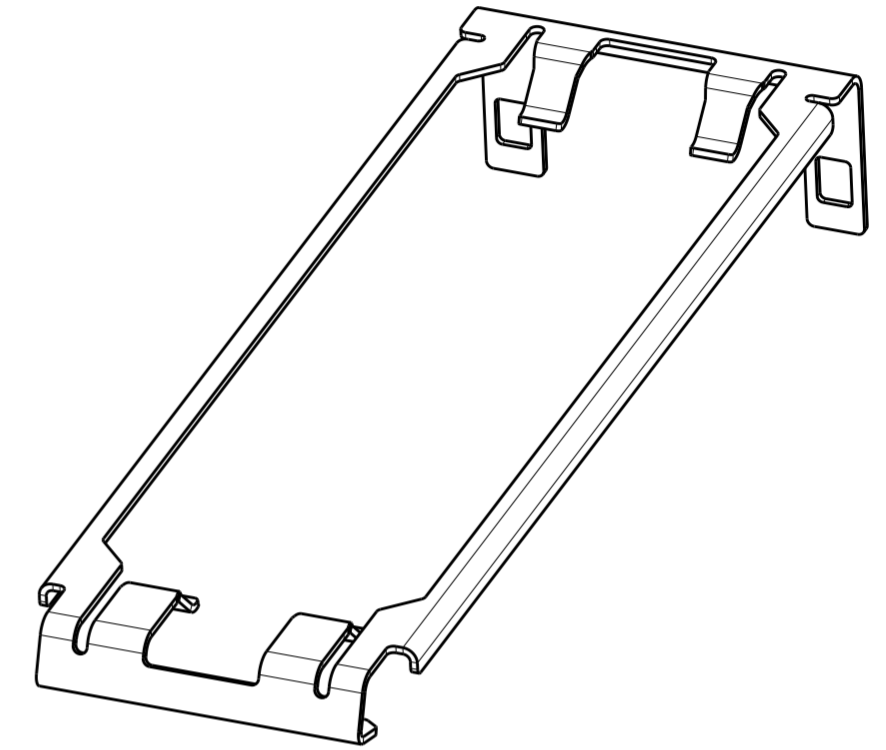


THIS DRAWING IS UNPUBLISHED. RELEASED FOR PUBLICATION
 © COPYRIGHT copyright.d8te- ALL RIGHTS RESERVED.

LOC	DIST	REVISIONS					
GP	00	P	LTR	DESCRIPTION	DATE	DWN	APVD
		A		RELEASED PER ECO-12-013192	24AUG2012	BMM	MRS
		A1		RELEASED PER ECO-15-012866	17NOV2015	KQ	SH



⚠ MATERIAL: 0.25±0.1 THICK PASSIVATED STAINLESS STEEL



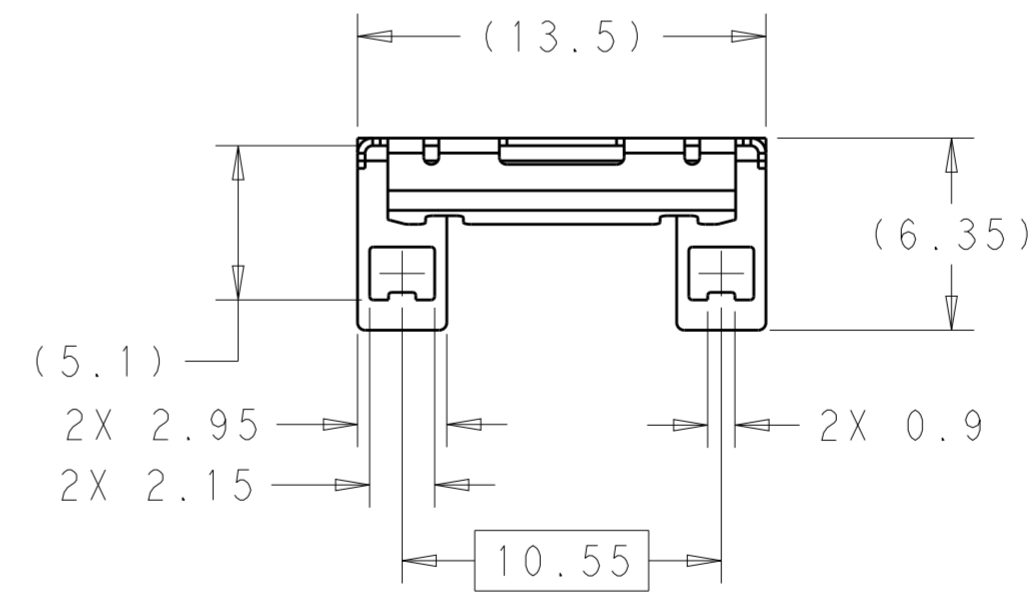
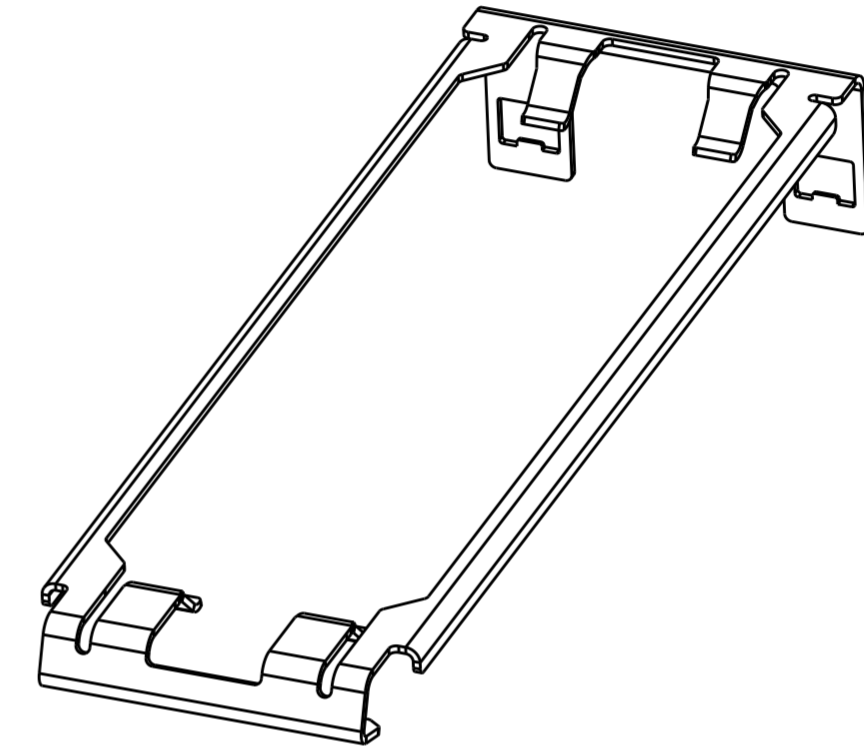
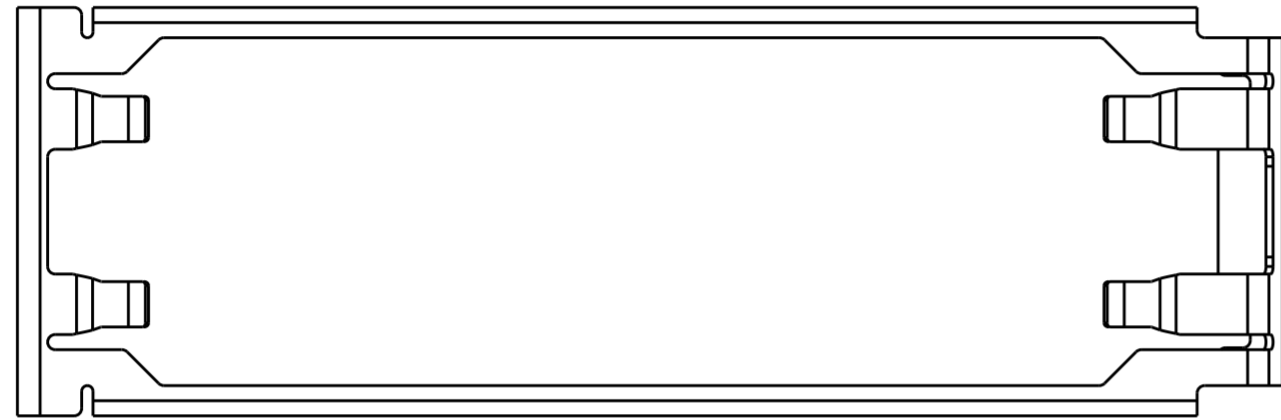
2169851-1
PART NUMBER

THIS DRAWING IS A CONTROLLED DOCUMENT.		DWN B. MATTHEWS 17AUG2010	TE Connectivity	
DIMENSIONS: mm		CHK M. SCHMITT 17AUG2010		
TOLERANCES UNLESS OTHERWISE SPECIFIED:		APVD M. SCHMITT 17AUG2010	NAME HEATSINK CLIP GANGED SFP+	
0 PLC ± 1 PLC ±0.1 2 PLC ±0.1 3 PLC ±0.1 4 PLC ±0.1 ANGLES ±1° FINISH		PRODUCT SPEC 108-2364	RESTRICTED TO	
MATERIAL		APPLICATION SPEC 114-13120	SIZE A200779	CAGE CODE C-2169851
⚠		WEIGHT -	SCALE 4:1 SHEET 1 OF 3 REV A1	
		Customer Drawing		

THIS DRAWING IS UNPUBLISHED. RELEASED FOR PUBLICATION
 © COPYRIGHT copyright.d01e- ALL RIGHTS RESERVED.


LOC	DIST	REVISIONS					
GP	00	P	LTR	DESCRIPTION	DATE	DWN	APVD

P/N: 2169851-6
 UNMARKED DIMENSION SAME AS 2169851-1



2169851-6

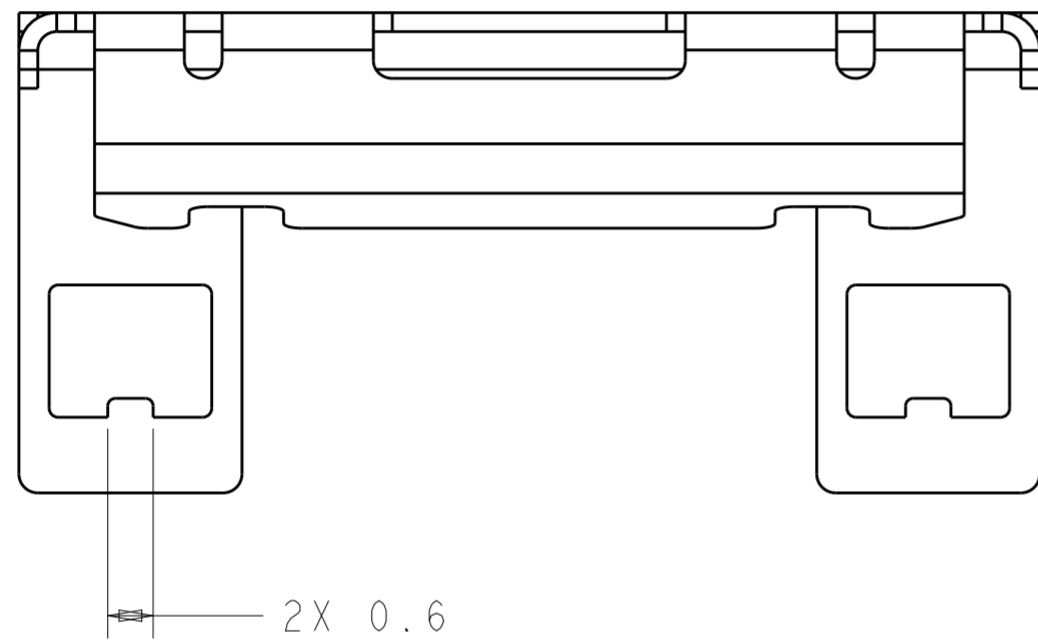
PART
 NUMBER

THIS DRAWING IS A CONTROLLED DOCUMENT.		DWN B. MATTHEWS 17AUG2010	 TE Connectivity	
DIMENSIONS: mm		CHK M. SCHMITT 17AUG2010		
TOLERANCES UNLESS OTHERWISE SPECIFIED:		APVD M. SCHMITT 17AUG2010	NAME HEATSINK CLIP GANGED SFP+	
0 PLC ±- 1 PLC ±0.1 2 PLC ±0.1 3 PLC ±0.1 4 PLC ±0.1 ANGLES ±1° FINISH		PRODUCT SPEC 108-2364	RESTRICTED TO	
MATERIAL		APPLICATION SPEC 114-13120	SIZE A200779	CAGE CODE C-2169851
		WEIGHT -	DRAWING NO -	
		Customer Drawing		SCALE 4:1 SHEET 2 OF 3 REV A1

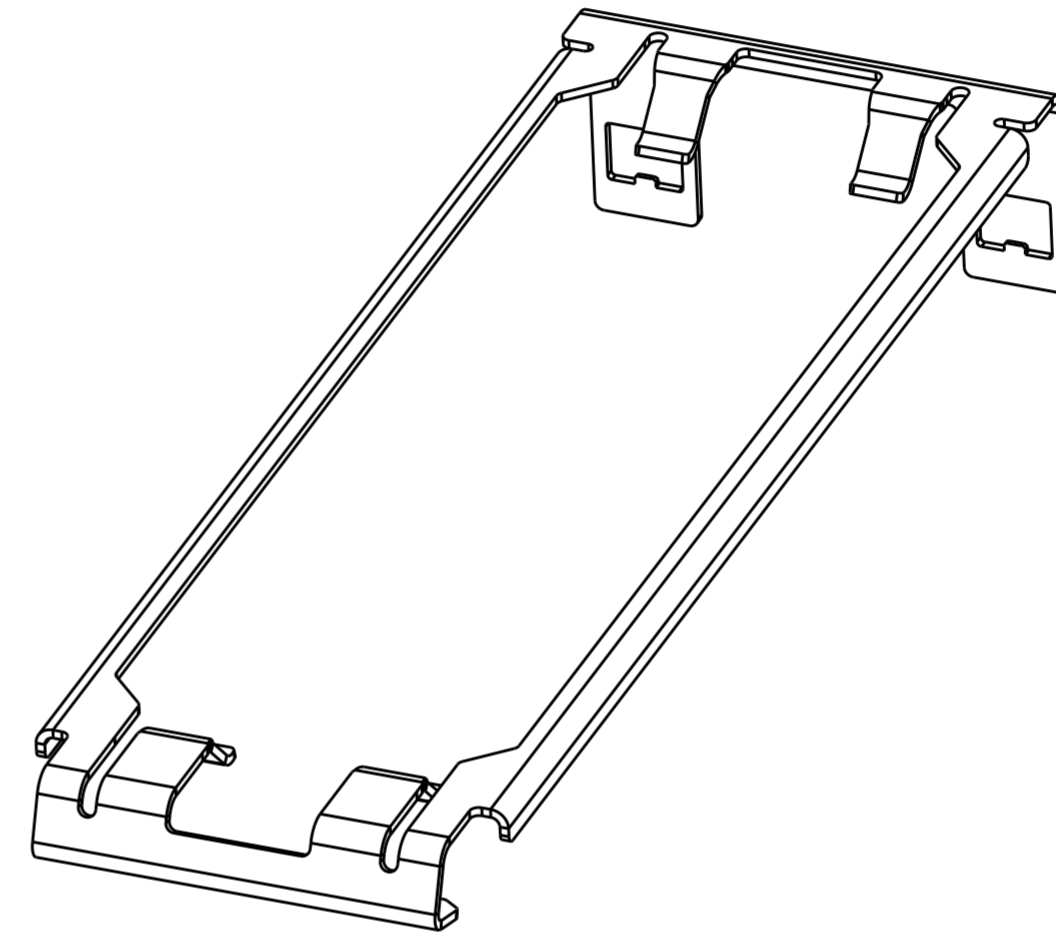
THIS DRAWING IS UNPUBLISHED. RELEASED FOR PUBLICATION
 © COPYRIGHT copyright.d0fe- ALL RIGHTS RESERVED.

LOC	DIST	REVISIONS					
GP	00	P	LTR	DESCRIPTION	DATE	DWN	APVD

P/N: 2169851-8
 UNMARKED DIMENSION SAME AS 2169851-6



SCALE 10:1



2169851-8
 PART
 NUMBER

THIS DRAWING IS A CONTROLLED DOCUMENT.		DWN B. MATTHEWS 17AUG2010	STE TE Connectivity	
DIMENSIONS: mm		CHK M. SCHMITT 17AUG2010		
TOLERANCES UNLESS OTHERWISE SPECIFIED:		APVD M. SCHMITT 17AUG2010	NAME HEATSINK CLIP GANGED SFP+	
0 PLC ±-		PRODUCT SPEC 108-2364	SIZE -	
1 PLC ±0.1		APPLICATION SPEC 114-13120	SCALE 4:1	SHEET 3 OF 3
2 PLC ±0.1		WEIGHT -	RESTRICTED TO -	REV A1
3 PLC ±0.1		MATERIAL	Customer Drawing	
4 PLC ±0.1		FINISH		
ANGLES ±1°				

单击下面可查看定价，库存，交付和生命周期等信息

[>>TE Connectivity\(泰科\)](#)