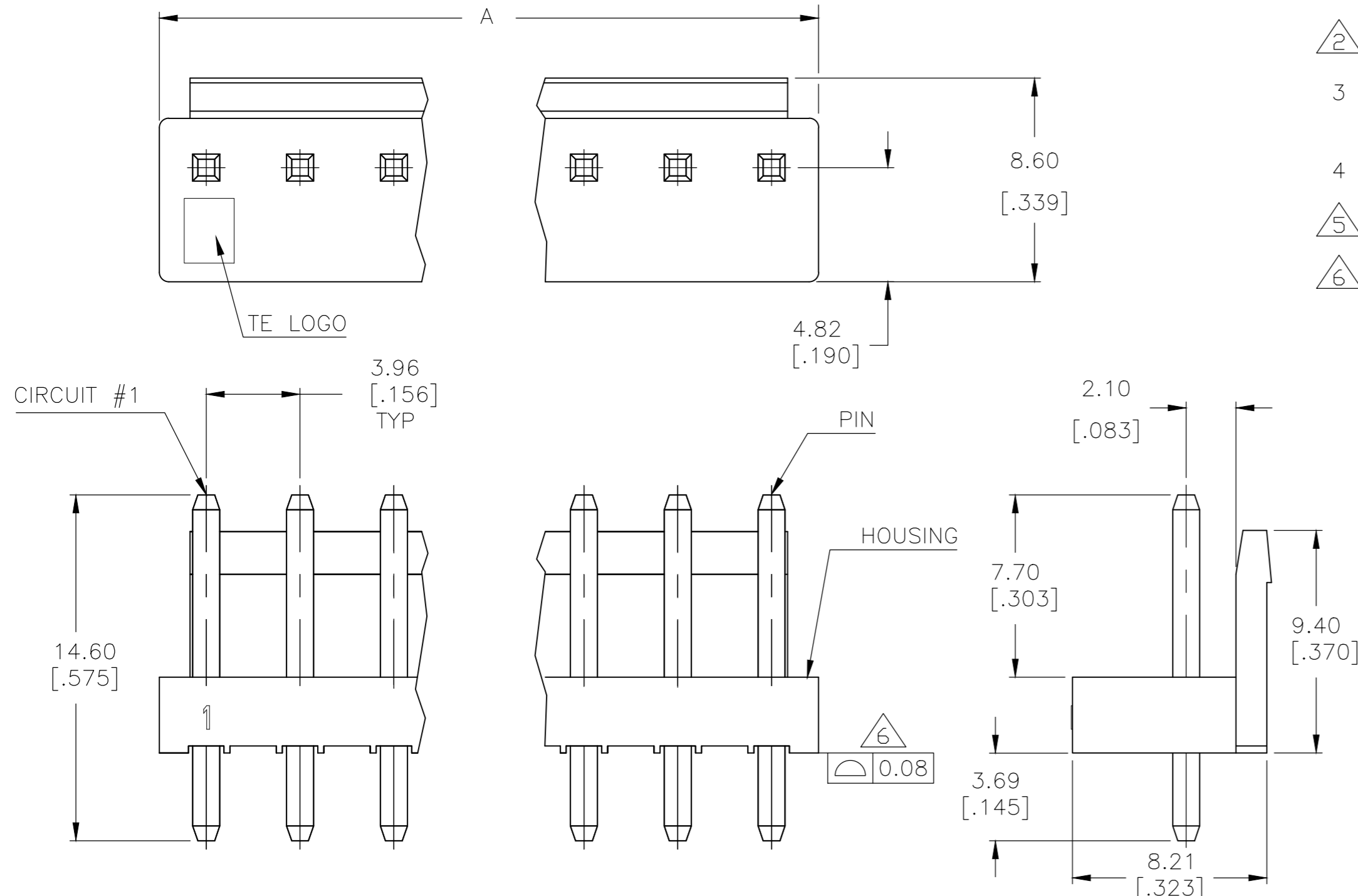
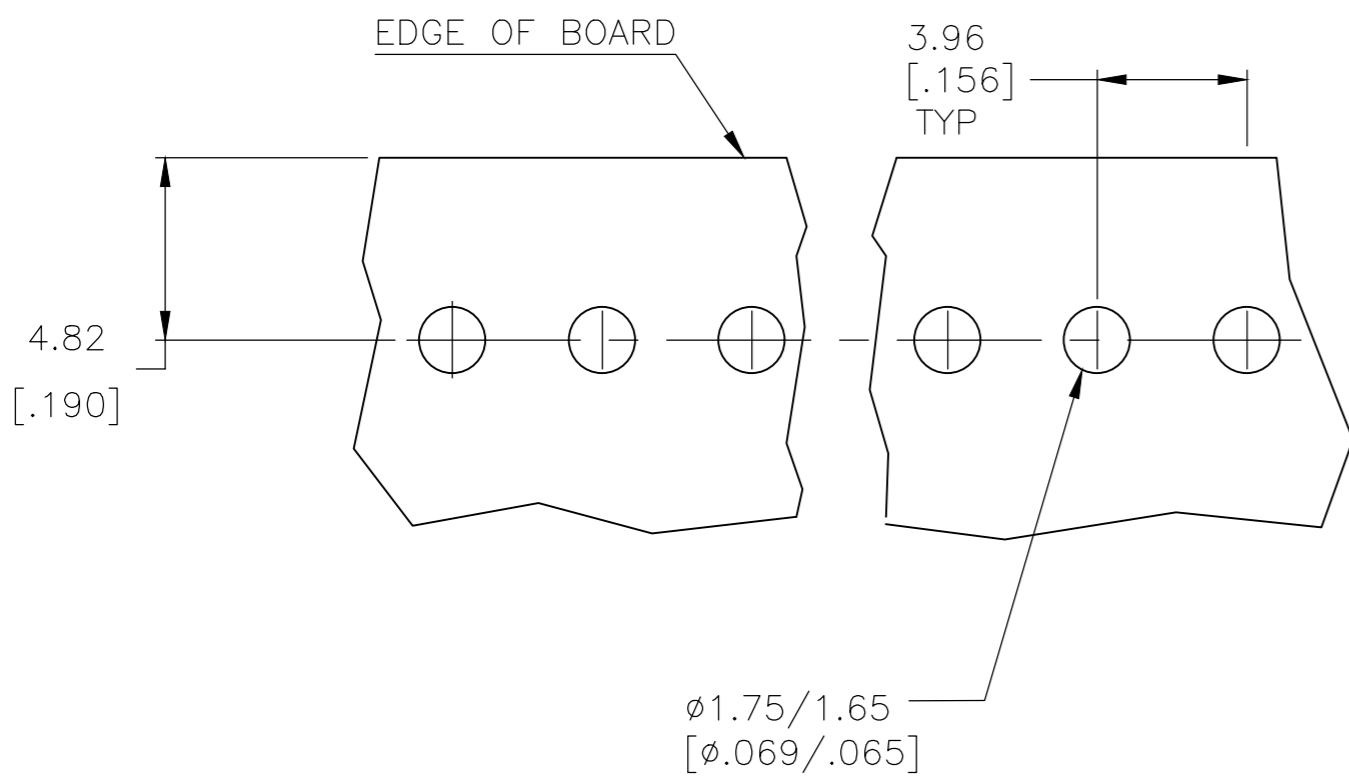


REVISIONS				
P	LTR	DESCRIPTION	DATE	APVD
D1		REVISED PER ECR-20-100406	16SEP2020	WH DZ

- 1 HOUSING MATERIAL: NYLON, UL94 V0.  
PIN MATERIAL: BRASS.
- 2 PIN PLATING: 0.003 [.000120] MIN TIN OVER 0.001 [.000039] NICKEL.
- 3 COMPLY WITH GLOW WIRE REQUIREMENTS FOR PARTS OF NON-METALLIC MATERIAL SUPPORTING A CURRENT-CARRYING CONNECTION DETAILED IN IEC 60335-1, SECTION 30 (GWT).
- 4 SKETCHES SHOW NO PINS MISSING.
- 5 "O" WITH POST, "X" WITHOUT POST
- 6 PRODUCT BOW SHOULD MEET 0~0.08MM(INITIAL) AND 0~0.20MM(AFTER SOLDERABILITY)



O	X	O	X	O	O	O	O							8	31.68 [1.247]	1-1744524-8
O	X	O	O	O	O	O	O	O						9	35.64 [1.403]	4-1744524-9
O	O	O	O	O	X	O	O	O						9	35.64 [1.403]	3-1744524-9
O	X	O	O	O	O	O	O	O	O	O				11	43.56 [1.715]	2-1744524-1
O	X	X	O											4	15.84 [0.624]	2-1744524-4
O	O	X	O											4	15.84 [0.624]	1-1744524-4
O	O	X	O	O	X	O	O							8	31.68 [1.247]	1744524-8
O	O	X	O	O										5	19.80 [0.780]	4-1744524-5
O	X	O	X	O	O	X	O	O						9	35.64 [1.403]	2-1744524-9
O	O	O	X	O										5	19.80 [0.780]	3-1744524-5
O	X	X	X	O										5	19.80 [0.780]	2-1744524-5
O	X	O	X	X	O									6	23.76 [0.935]	1-1744524-6
O	O	X	X	O										5	19.80 [0.780]	1-1744524-5
O	O	O	X	O	X	O								7	27.72 [1.091]	7-1744524-7
O	X	O												3	11.88 [0.468]	4-1744524-3
O	X	O	X	O	X	O	X	O						9	35.64 [1.403]	1-1744524-9
O	X	O	X	O	X	O								7	27.72 [1.091]	8-1744524-7
O	X	O	X	O	X									6	23.76 [0.935]	8-1744524-6
O	X	O	X	O	O									6	23.76 [0.935]	7-1744524-6
O	O	X	O	X	O									6	23.76 [0.935]	6-1744524-6
O	O	O	O	X	O									6	23.76 [0.935]	4-1744524-6
O	X	O	O	O	O									6	23.76 [0.935]	2-1744524-6
O	O	O	O	O	O	X	O	O						9	35.64 [1.403]	1744524-9
O	X	O	O	O	O	O								7	27.72 [1.091]	1744524-7
O	O	O	X	O	O									6	23.76 [0.935]	1744524-6
O	X	O	X	O										5	19.80 [0.780]	1744524-5
O	X	O	O											4	15.84 [0.624]	1744524-4
1	2	3	4	5	6	7	8	9	10	11	12					
PIN POSITIONS												5				
												NO. OF POSITIONS	±0.30 [.012]	DIM A	PART NUMBER	



RECOMMENDED MOUNTING HOLE PATTERN FOR 1.60 [.063] THICK PC BOARD

THIS DRAWING IS A CONTROLLED DOCUMENT.		DWN JR RUTH 20MAR13	TE Connectivity	
DIMENSIONS: mm [INCHES]		CHK TOM MICHIELUTTI 20MAR13	NAME HEADER ASSEMBLY-ECONOMY POWER VERTICAL	
TOLERANCES UNLESS OTHERWISE SPECIFIED: 0 PLC ± - 1 PLC ± 0.5[.02] 2 PLC ± 0.30[.012] 3 PLC ± - 4 PLC ± - ANGLES ± -		APVD TOM MICHIELUTTI 20MAR13	PRODUCT SPEC 108-5609	
MATERIAL		FINISH	APPLICATION SPEC 114-32134	RESTRICTED TO
CUSTOMER DRAWING		WEIGHT	SIZE A2	CAGE CODE 00779
		SCALE N/A	DRAWING NO C=1744524	SHEET 1 OF 1
			REV D1	

单击下面可查看定价，库存，交付和生命周期等信息

[>>TE Connectivity\(泰科\)](#)