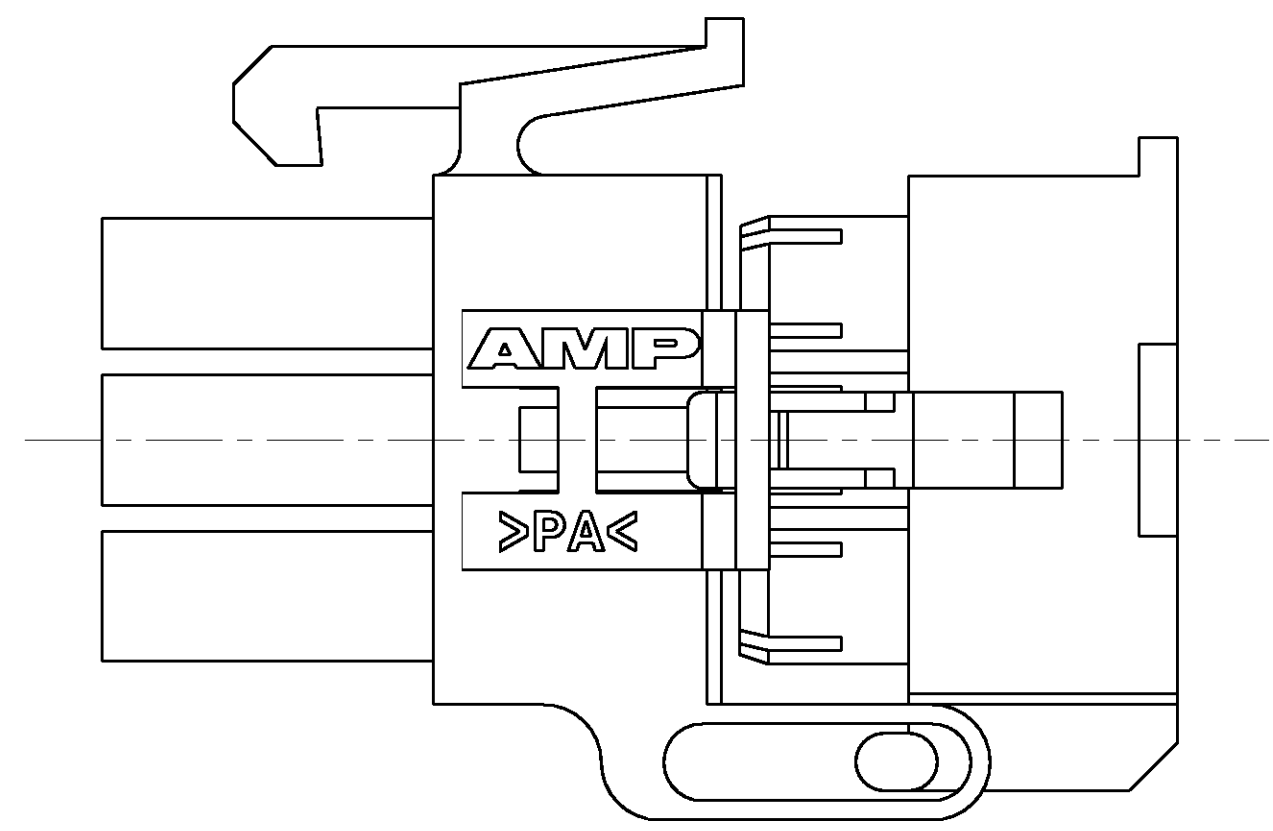
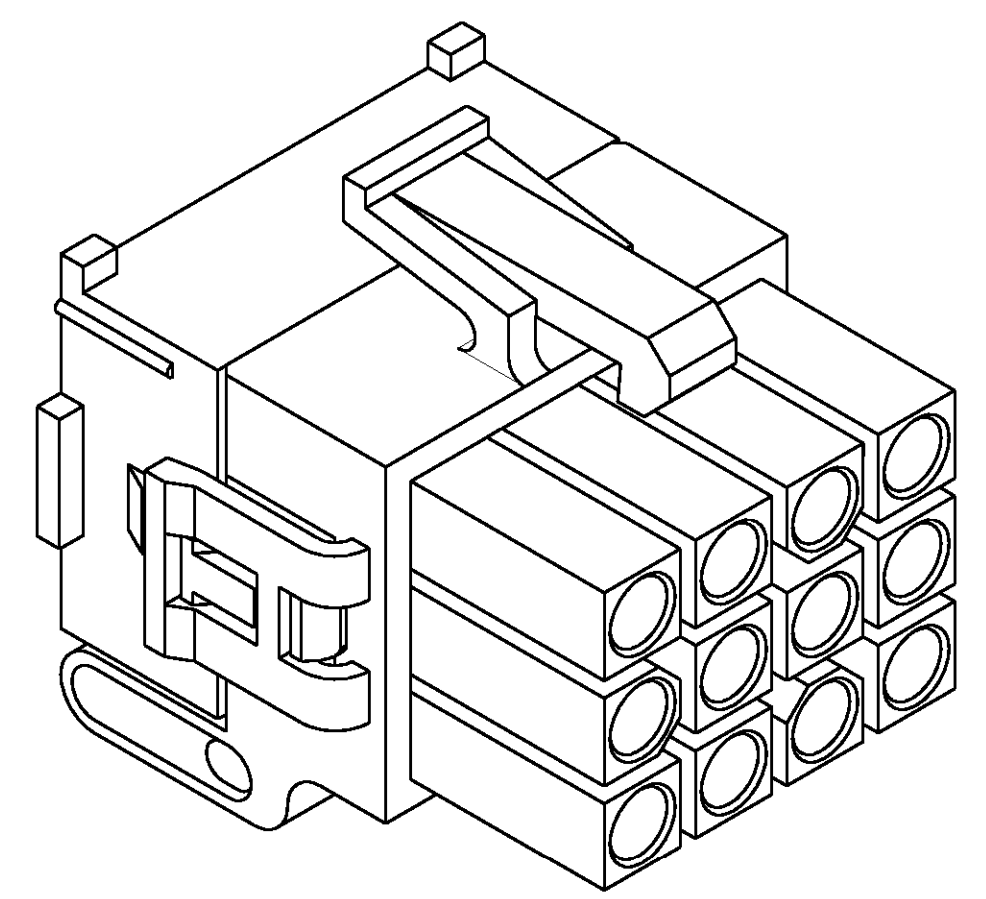
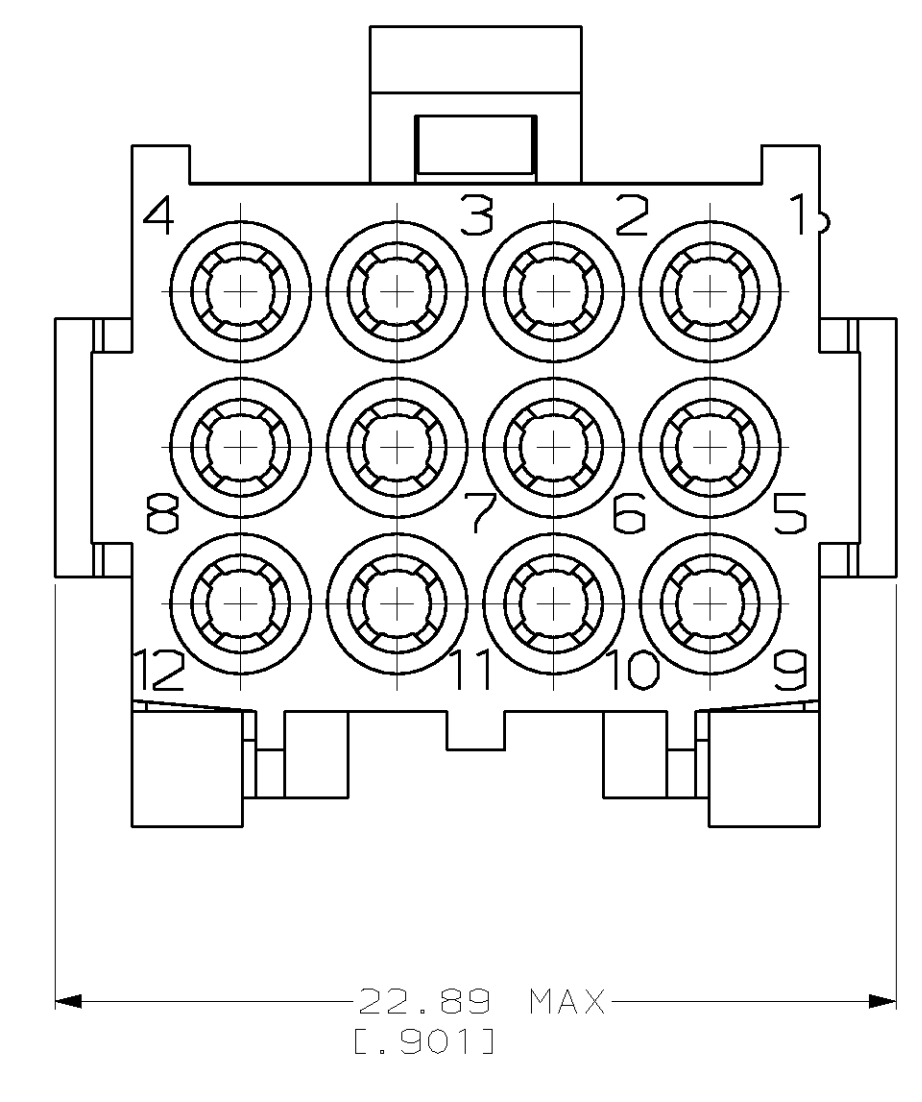
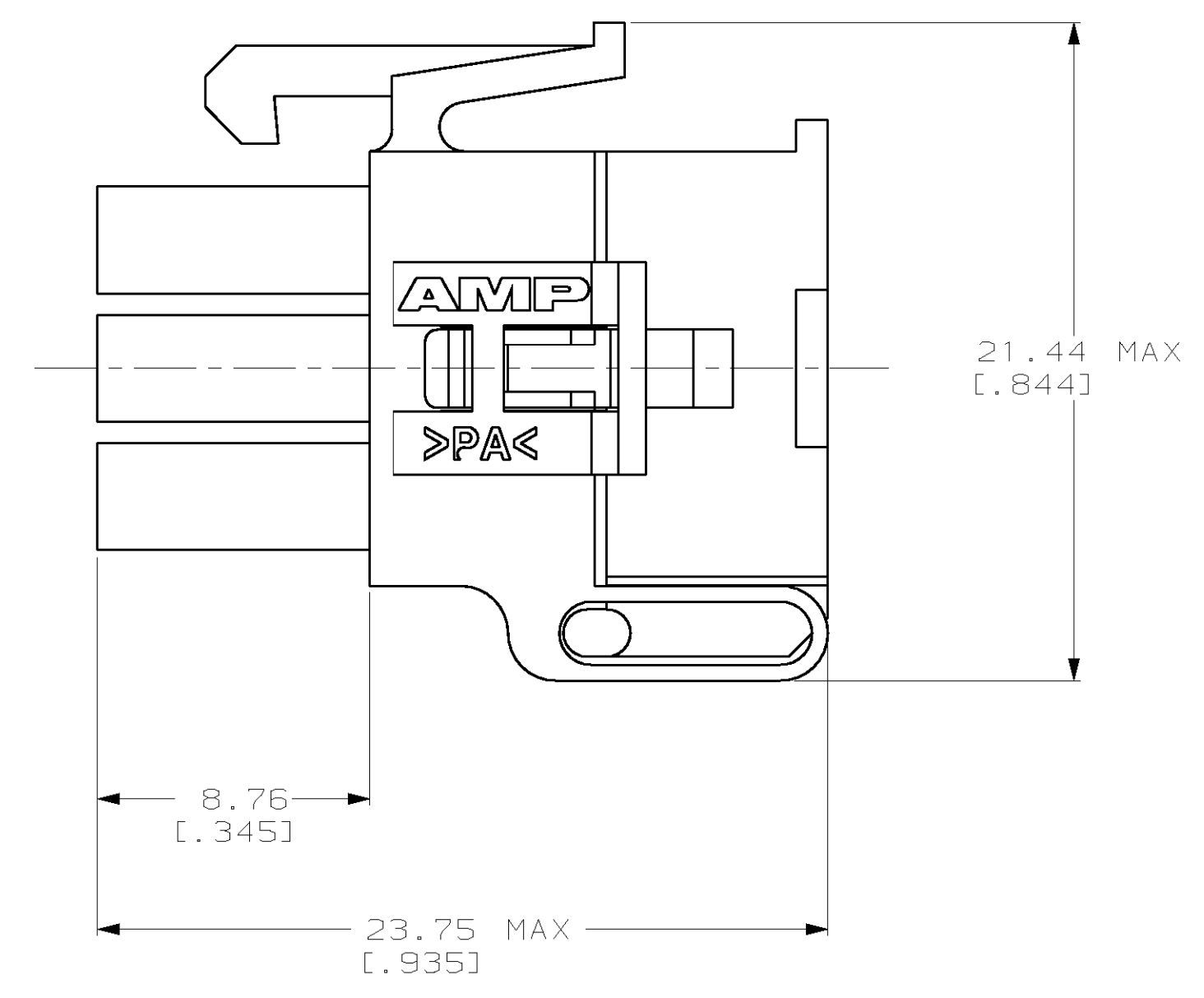
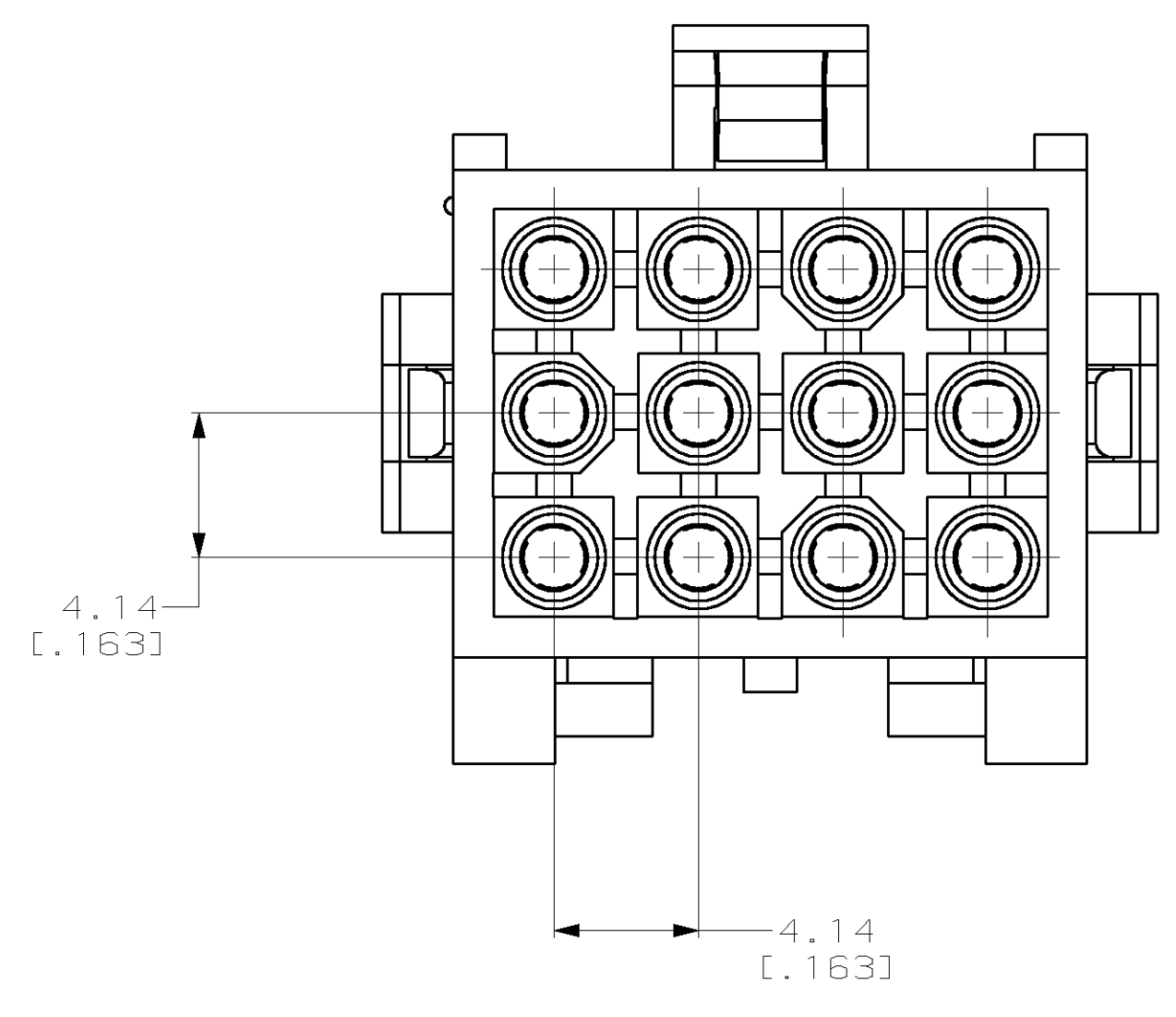


LOC		DIST		REVISIONS			
F	CHR	DATE	BY	APPROV	DESCRIPTION	DATE	BY
B		23-SEP-99	KW	KC	REV PER EC 061B-0094-99		



PRE-STAGED CONDITION

1. DIMENSIONS IN BRACKETS ARE IN INCHES.



3-DIMENSIONAL MODEL
NTS

794253-1
PART NUMBER



THIS DRAWING IS A CONTROLLED DOCUMENT.		DWN K. WHITAKER	5-15-97	AMP Incorporated Harrisburg, PA 17105-3608
DIMENSIONS:		CHK R. SWING	5-15-97	
TOLERANCES UNLESS OTHERWISE SPECIFIED:		APPROV S. ORSTAD	5-15-97	
mm		NAME		
0 PLC	±	PRODUCT SPEC		PLUG, 12 CIRCUIT, MATRIX, MINI UNIVERSAL MATE-N-LOK™ 2
1 PLC	±	APPLICATION SPEC		
2 PLC	±0.13 (.005)	SIZE	A1	
3 PLC	±	WEIGHT		
4 PLC	±	CAGE CODE	00779	794253
ANGLES	±	FINISH		
MATERIAL NYLON, UL 94V-2, NATURAL		CUSTOMER DRAWING		RESTRICTED TO
		SCALE 5:1		SHEET 1 OF 1
				REV B

单击下面可查看定价，库存，交付和生命周期等信息

[>>TE Connectivity\(泰科\)](#)