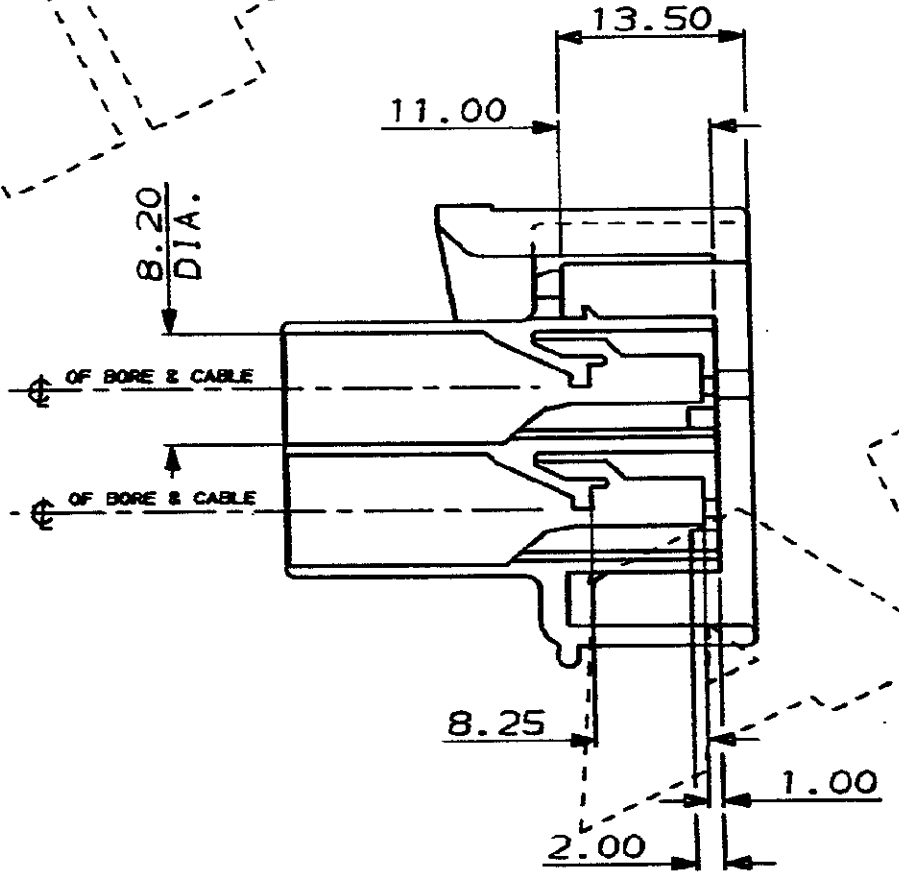
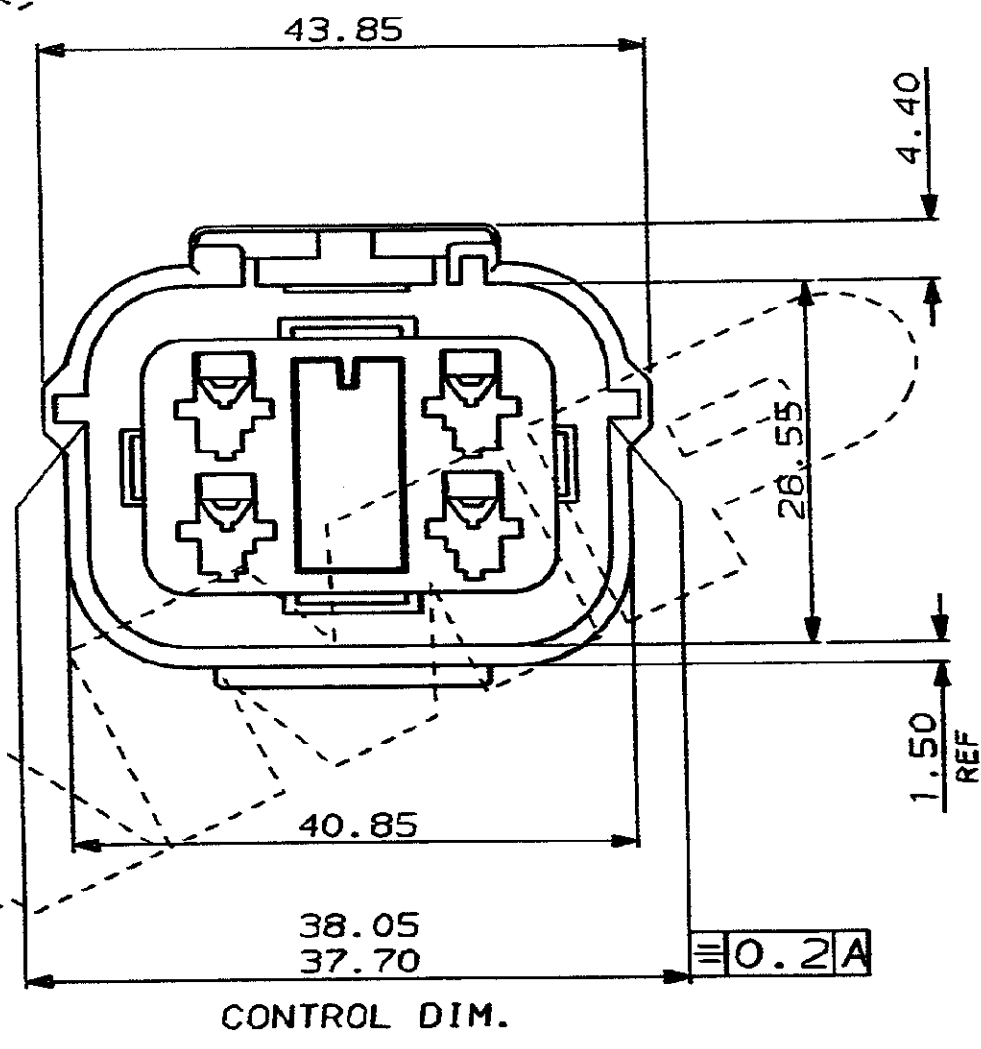
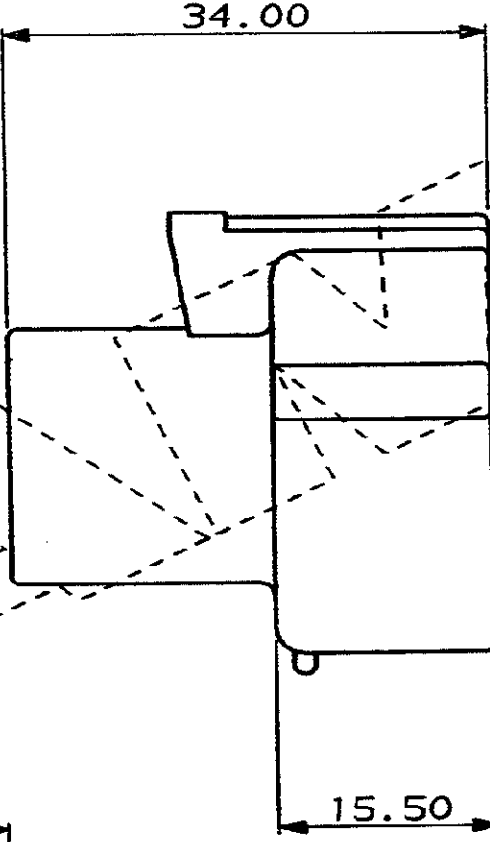
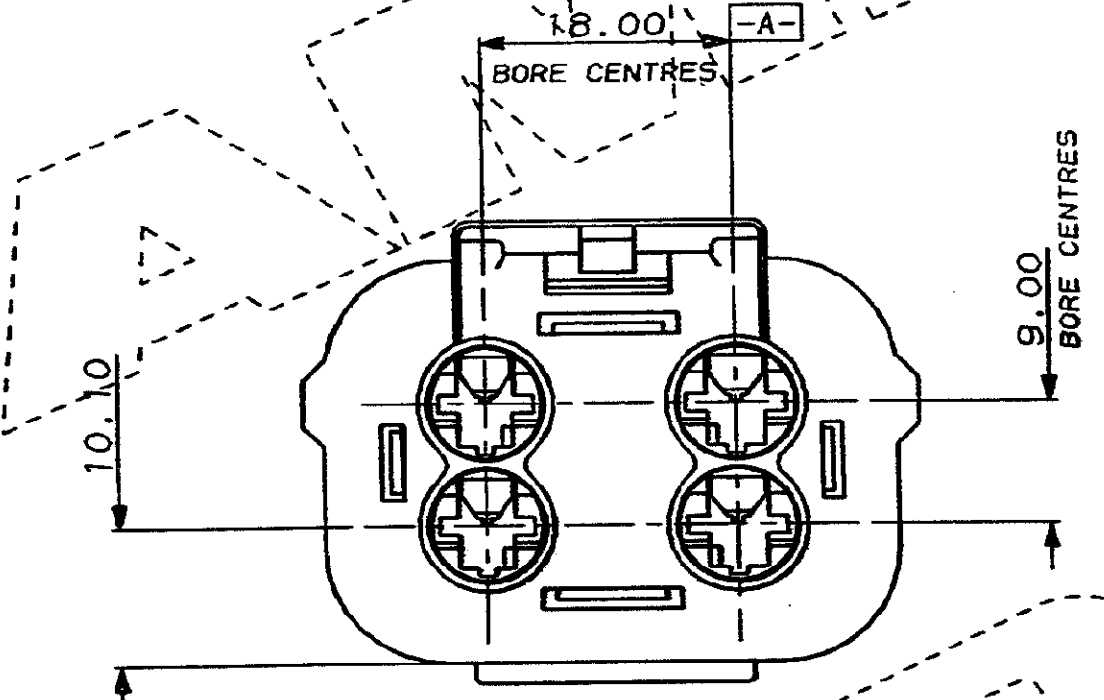
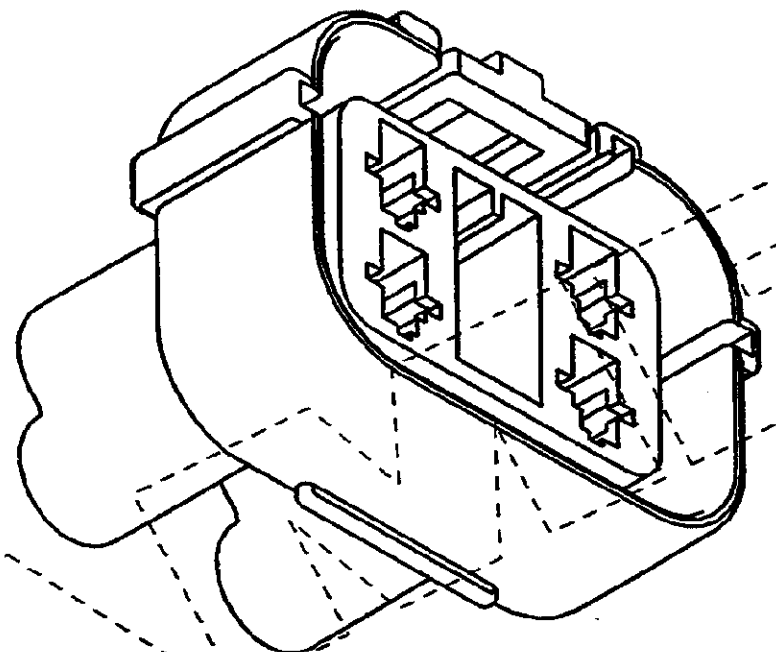
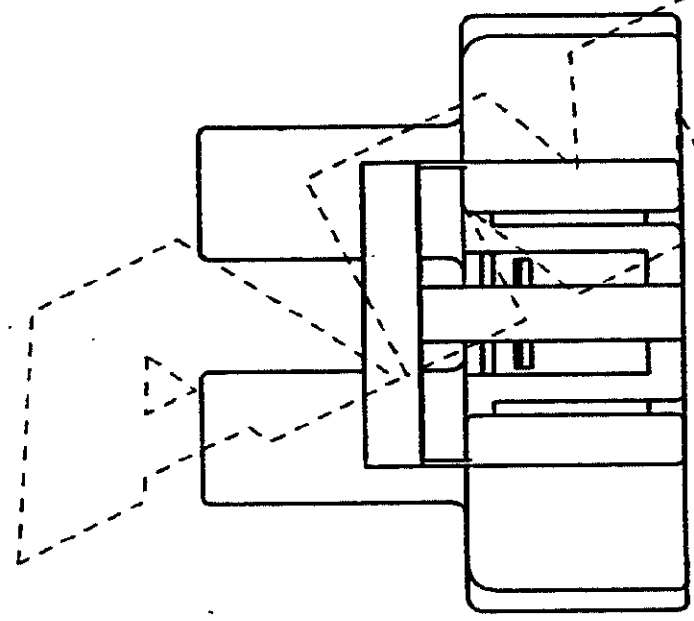
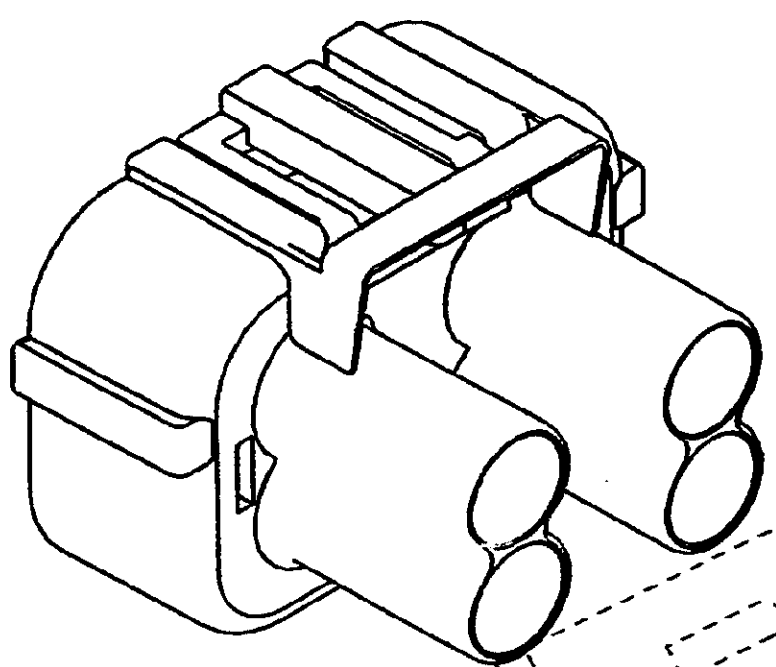
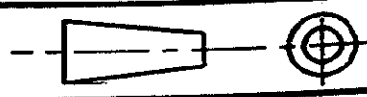


8 7 6 5 4 3 2 1

DO NOT SCALE

DIMENSIONS IN MM.



WHITE	NYLON 66	344077-4
BLUE	NYLON 66	344077-3
RED	NYLON 66	344077-2
BLACK	NYLON 66	344077-1
FINISH	MATERIAL	PART NUMBER

CUSTOMER DWG FOR REFERENCE ONLY		© COPYRIGHT 1987 BY AMP OF GREAT BRITAIN LTD. ALL INTERNATIONAL RIGHTS RESERVED. ALL PRODUCTS MAY BE COVERED BY BRITISH AND FOREIGN PATENTS AND/OR PATENTS PENDING.		RELEASED FOR PUBLICATION 22/06/87	
TOLERANCES UNLESS OTHERWISE STATED DEC ± 0.5 ANGLES ± 1°		DR. I. J.		22/06/87	
C AMED -2, -3 & -4 CS88 4.12.81		CH. R. J. S.		APP. B. J.	
B UPDATED CS24 12.6.80		AMP of Great Britain Ltd.		TERMINAL HOUSE STANNORE NIDDL.	
A UPDATED CS88 20.7.80					
D DEL. FOR MBL. C478 24.2.80		NAME 4 WAY RECEPTACLE HSG ECONOSEAL 3 HIGH CURRENT		SCALE LOC SIZE DWG. No.	
REV APPROVED ECM DATE		2/1 E A2 C344077		REV SHEET C 1/1	

单击下面可查看定价，库存，交付和生命周期等信息

[>>TE Connectivity\(泰科\)](#)