

THIS DRAWING IS UNPUBLISHED.

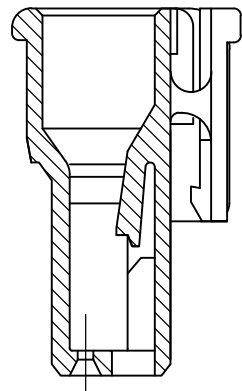
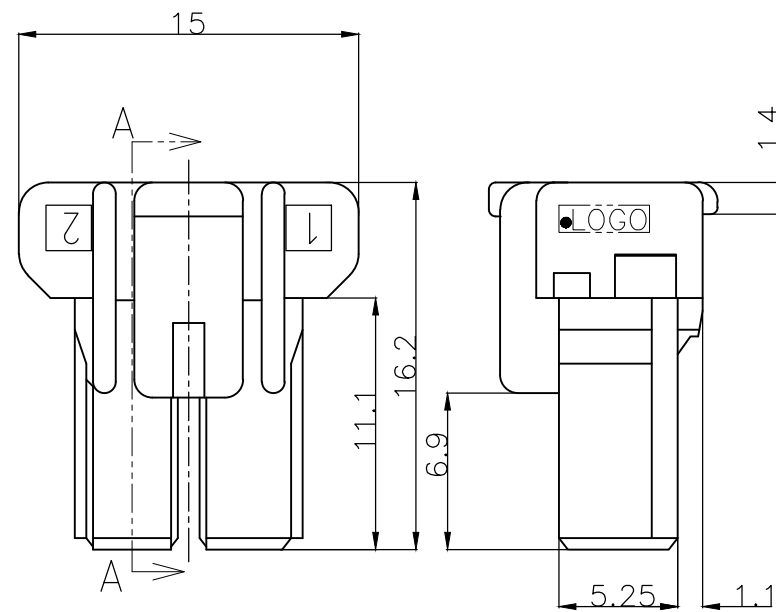
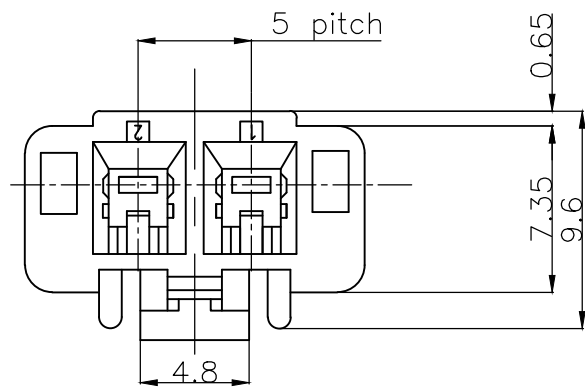
RELEASED FOR PUBLICATION

ALL RIGHTS RESERVED.

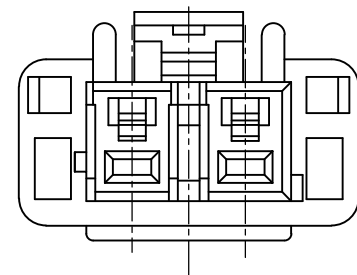
© COPYRIGHT - By -

REVISIONS

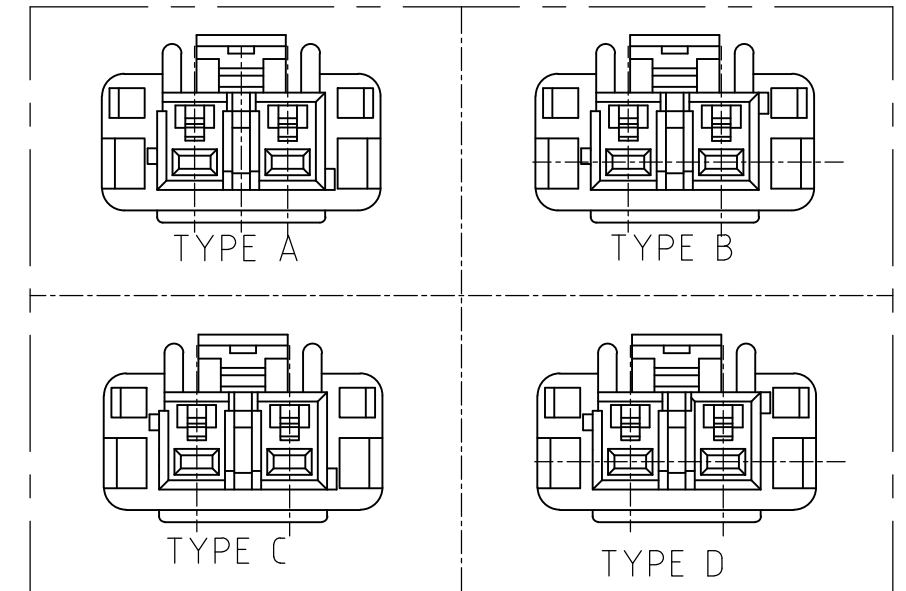
| P | LTR | DESCRIPTION | DATE | DWN | APVD |
|---|-----|---------------------------|-----------|-----|------|
| | B5 | REVISED PER ECR-19-005944 | 21MAY2019 | MM | DZ |



SECT A-A



THE TYPE OF KEYING



| HOSING NAME | MATERIAL |
|-------------|------------------------------------|
| | 6 / 6 NYLON GRASS FILLED / NYLON 6 |

1 MATING CONN. P/N
 HEADER ASS'Y :SEE TABLE
 REC CONTACT ;1376347-1,1376348-1

2 APPLICABLE PLATE P/N :1376394-1

3 PARTS COMPLY WITH GLOW WIRE
 REQUIREMENT FOR PARTS OF NON-METALLIC
 MATERIAL SUPPORTING A CURRENT-CARRYING
 CONNECTION DETAILED IN IEC 60335-1,
 SECTION 30 (GWT) .

△4 NYLON 6 GWT, V-2.

△5 NYLON 66, GWT, V-0.

| △4 | 1376382-5 | TYPE A | NATURAL | 2POS | 1376388-5 |
|----|------------------|--------------------|---------|------|-------------|
| △5 | 3-1376382-4 | TYPE D | YELLOW | 2POS | 3-1376388-4 |
| △5 | 2-1376382-3 | TYPE C | BLUE | 2POS | 2-1376388-3 |
| △5 | 1-1376382-2 | TYPE B | RED | 2POS | 1-1376388-2 |
| △5 | 1376382-1 | TYPE A | NATURAL | 2POS | 1376388-1 |
| | MATING CONN. P/N | THE TYPE OF KEYING | COLOR | POS | PART NO. |

THIS DRAWING IS A CONTROLLED DOCUMENT.

| DIMENSIONS: | TOLERANCES UNLESS OTHERWISE SPECIFIED: |
|-------------|--|
| mm | GENRAL TOLERANCE ±0.20 |
| | 0 PLC ± |
| | 1 PLC ± |
| | 2 PLC ± |
| | 3 PLC ± |
| | 4 PLC ± |
| | ANGLES ± 1° |
| MATERIAL | FINISH |
| SEE TABLE | SEE TABLE |

| | | |
|------------------|------------------|----------|
| DWN | A.OISHI | 31AUG00 |
| CHK | Y.KASHIWA | 28AUG'00 |
| APVD | Y.KASHIWA | 28AUG'00 |
| PRODUCT SPEC | 108-5699 | |
| APPLICATION SPEC | 114-5292 | |
| WEIGHT | CUSTOMER DRAWING | |



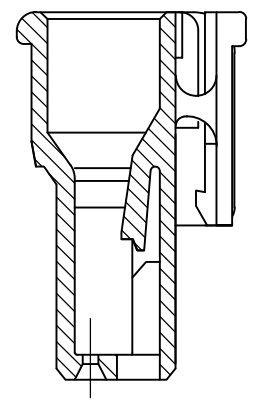
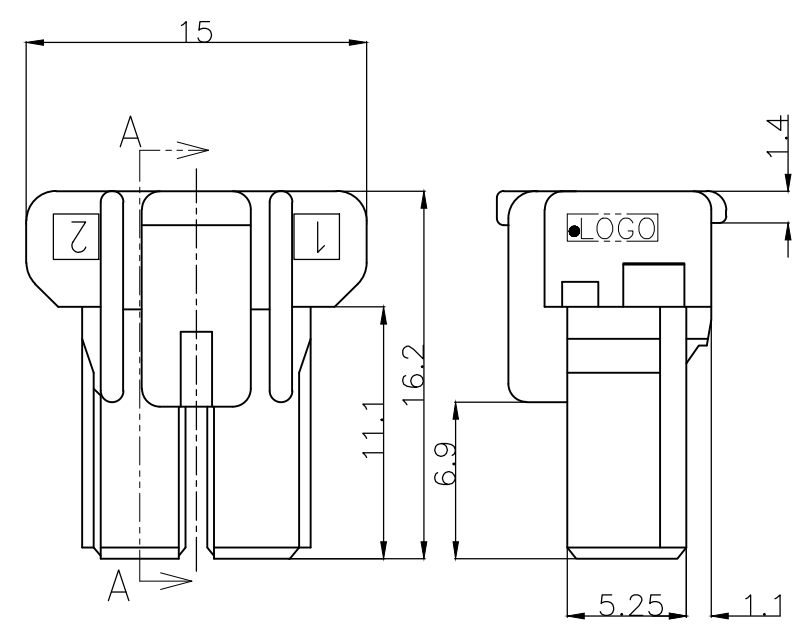
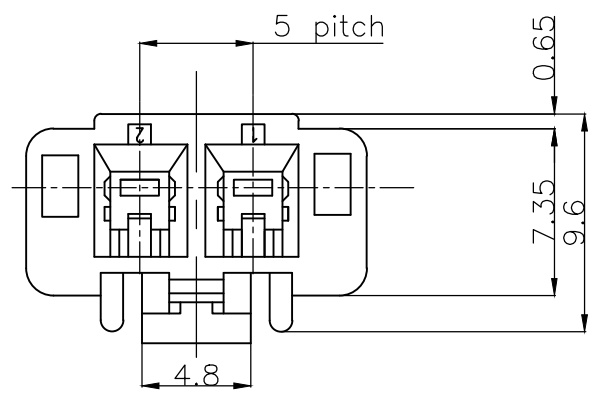
5.0 POWER KEY CONNECTOR
 2P PLUG HOUSING

| SIZE | CAGE CODE | DRAWING NO | RESTRICTED TO |
|------|-----------|------------|---------------|
| A3 | 00779 | 1376388 | - |

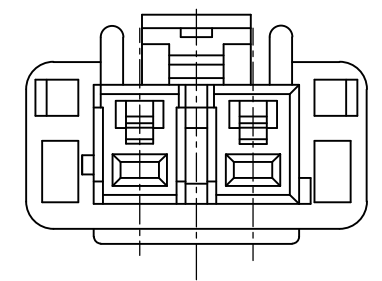
| SCALE | SHEET | REV |
|-------|--------|-----|
| 3:1 | 1 of 2 | B5 |

THIS DRAWING IS UNPUBLISHED. RELEASED FOR PUBLICATION
 © COPYRIGHT - By - ALL RIGHTS RESERVED.

| REVISIONS | | | | | |
|-----------|-----|-------------|------|-----|------|
| P | LTR | DESCRIPTION | DATE | DWN | APVD |
| - | - | SEE SHEET 1 | - | - | - |

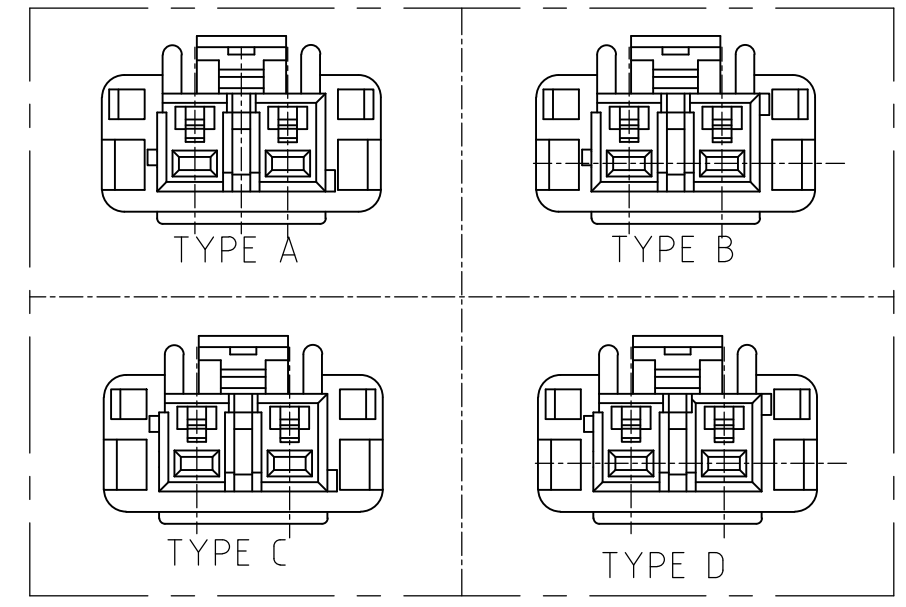


SECT A-A



- 1 MATING CONN. P/N
 HEADER ASS'Y :SEE TABLE
 REC CONTACT ;1376347-1,1376348-1
- 2 APPLICABLE PLATE P/N :1376394-1

THE TYPE OF KEYING



| | |
|--------|-------------|
| HOSING | 6 / 6 NYLON |
| NAME | MATERIAL |

| | | | | | |
|----|------------------|--------------------|---------|------|-------------|
| △5 | 3-1376382-5 | TYPE D | YELLOW | 2POS | 3-1376388-5 |
| △5 | 2-1376382-4 | TYPE C | BLUE | 2POS | 2-1376388-4 |
| △5 | 1-1376382-3 | TYPE B | RED | 2POS | 1-1376388-3 |
| △5 | 1376382-2 | TYPE A | NATURAL | 2POS | 1376388-2 |
| | MATING CONN. P/N | THE TYPE OF KEYING | Color | POS | PART NO. |

| | | | | | |
|---|--|-------------------------------|--|--------------------|-------------------------|
| THIS DRAWING IS A CONTROLLED DOCUMENT. | | DWN A.OISHI 31AUG00 | TE Connectivity | | |
| DIMENSIONS: mm | | CHK Y.KASHIWA 28AUG'00 | | | |
| TOLERANCES UNLESS OTHERWISE SPECIFIED: GENGRAL TOLERANCE ±0.20 | | APVD Y.KASHIWA 28AUG'00 | NAME 5.0 POWER KEY CONNECTOR 2P PLUG HOUSING | | |
| 0 PLC ± 1 PLC ± 2 PLC ± 3 PLC ± 4 PLC ± ANGLES ±1° | | PRODUCT SPEC 108-78863 | SIZE A3 | | |
| MATERIAL SEE TABLE | | FINISH SEE TABLE | APPLICATION SPEC 114-5292 | CAGE CODE 00779 | DRAWING NO C-1376388 |
| CUSTOMER DRAWING | | | WEIGHT - | RESTRICTED TO - | SCALE 3:1 |
| | | | SHEET 2 OF 2 | | REV B5 |

单击下面可查看定价，库存，交付和生命周期等信息

[>>TE Connectivity\(泰科\)](#)