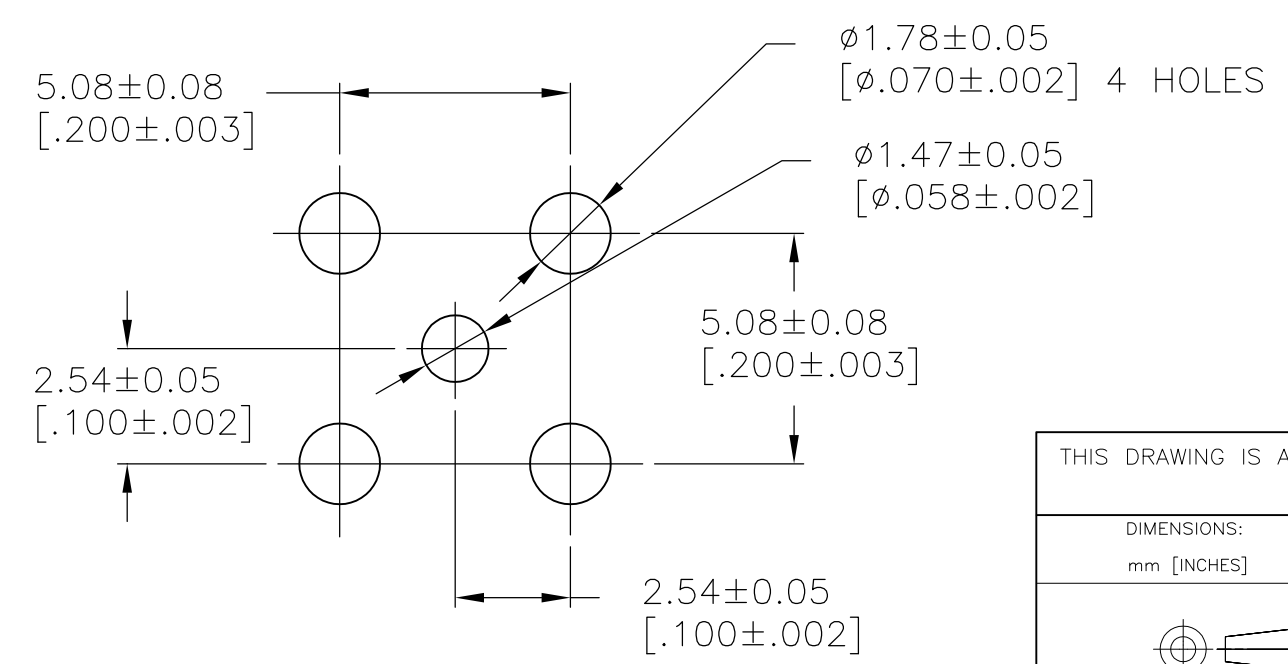
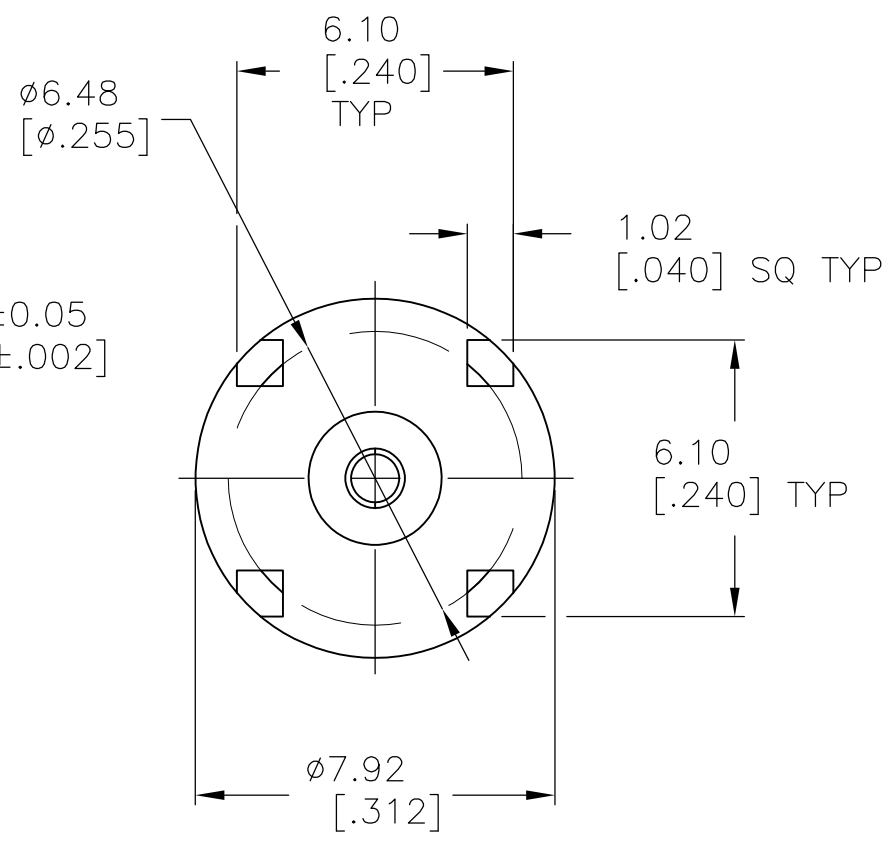
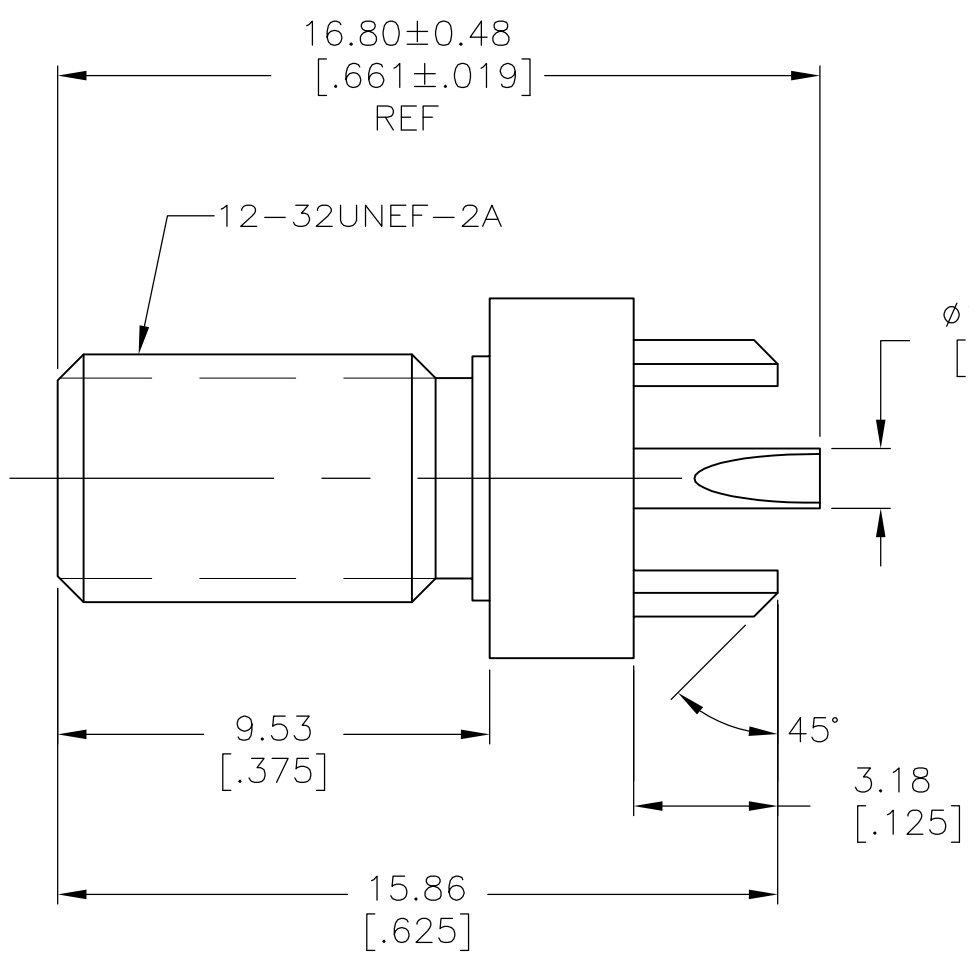


THIS DRAWING IS UNPUBLISHED. RELEASED FOR PUBLICATION
 © COPYRIGHT BY TYCO ELECTRONICS CORPORATION. ALL RIGHTS RESERVED.

LOC	DIST	REVISIONS					
AJ	16	P	LTR	DESCRIPTION	DATE	DWN	APVD
		A		REVISED PER ECO-08-000706	16JAN08	HMR	FD



SUGGESTED PANEL CUTOUT

- 1 MATERIALS
 SHELL: STAINLESS STEEL PER ASTM-A-582
 CONTACT: BERYLLIUM COPPER PER QQ-C-530
 DIELECTRIC: PTFE PER MIL-P-19468A
- 2 FINISH:
 SHELL: GOLD PLATE PER MIL-G-45204
 CONTACT: GOLD PLATE PER MIL-G-45204

414086-1
 PART NUMBER

THIS DRAWING IS A CONTROLLED DOCUMENT.		DWN J.L.GROFT 9-16-96	Tyco Electronics Corporation Harrisburg, PA 17105-3608	
DIMENSIONS: mm [INCHES]		CHK S.BURKHOLDER 9-16-96	NAME ADAPTER, PCB RECEPTACLE, MINIATURE	
TOLERANCES UNLESS OTHERWISE SPECIFIED:		APVD S.BURKHOLDER 9-16-96	SIZE A3 CAGE CODE 00779 DRAWING NO C-414086	
0 PLC ± -		PRODUCT SPEC -	RESTRICTED TO -	
1 PLC ± -		APPLICATION SPEC -	SCALE 6:1 SHEET 1 OF 1 REV A	
2 PLC ± 0.13 [.005]		WEIGHT -	CUSTOMER DRAWING	
3 PLC ± -				
4 PLC ± -				
ANGLES ± 5°				
FINISH -				

单击下面可查看定价，库存，交付和生命周期等信息

[>>TE Connectivity\(泰科\)](#)