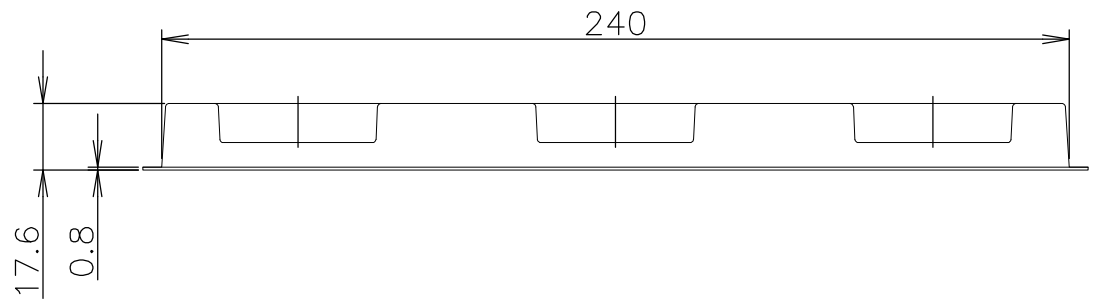
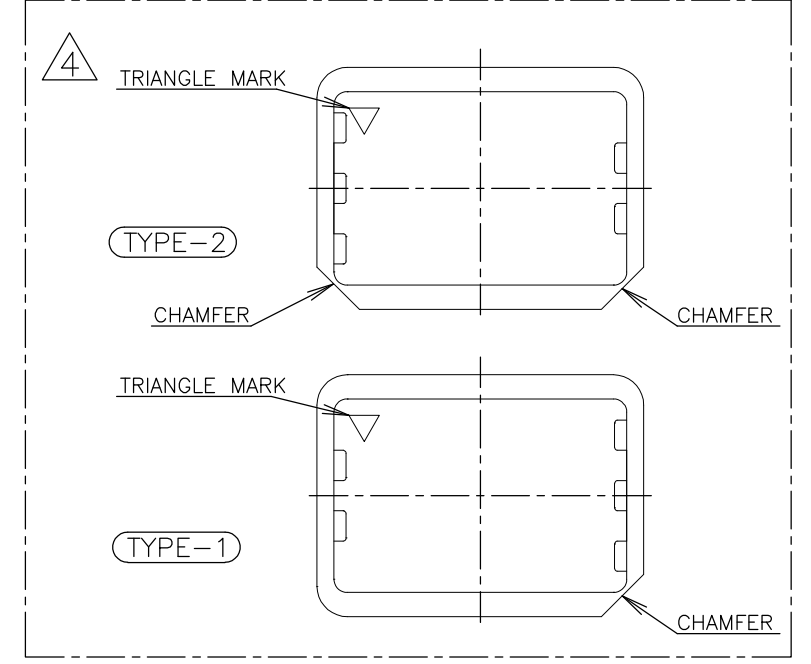
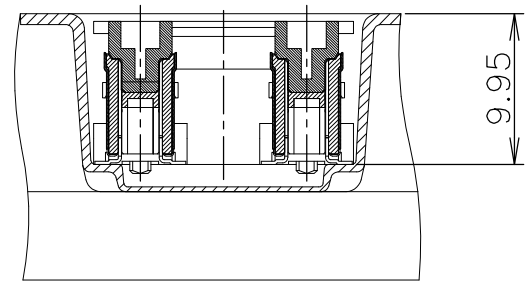
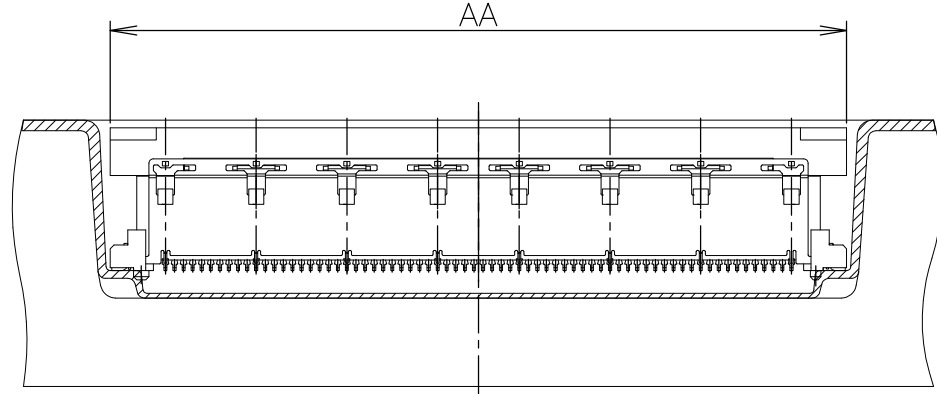
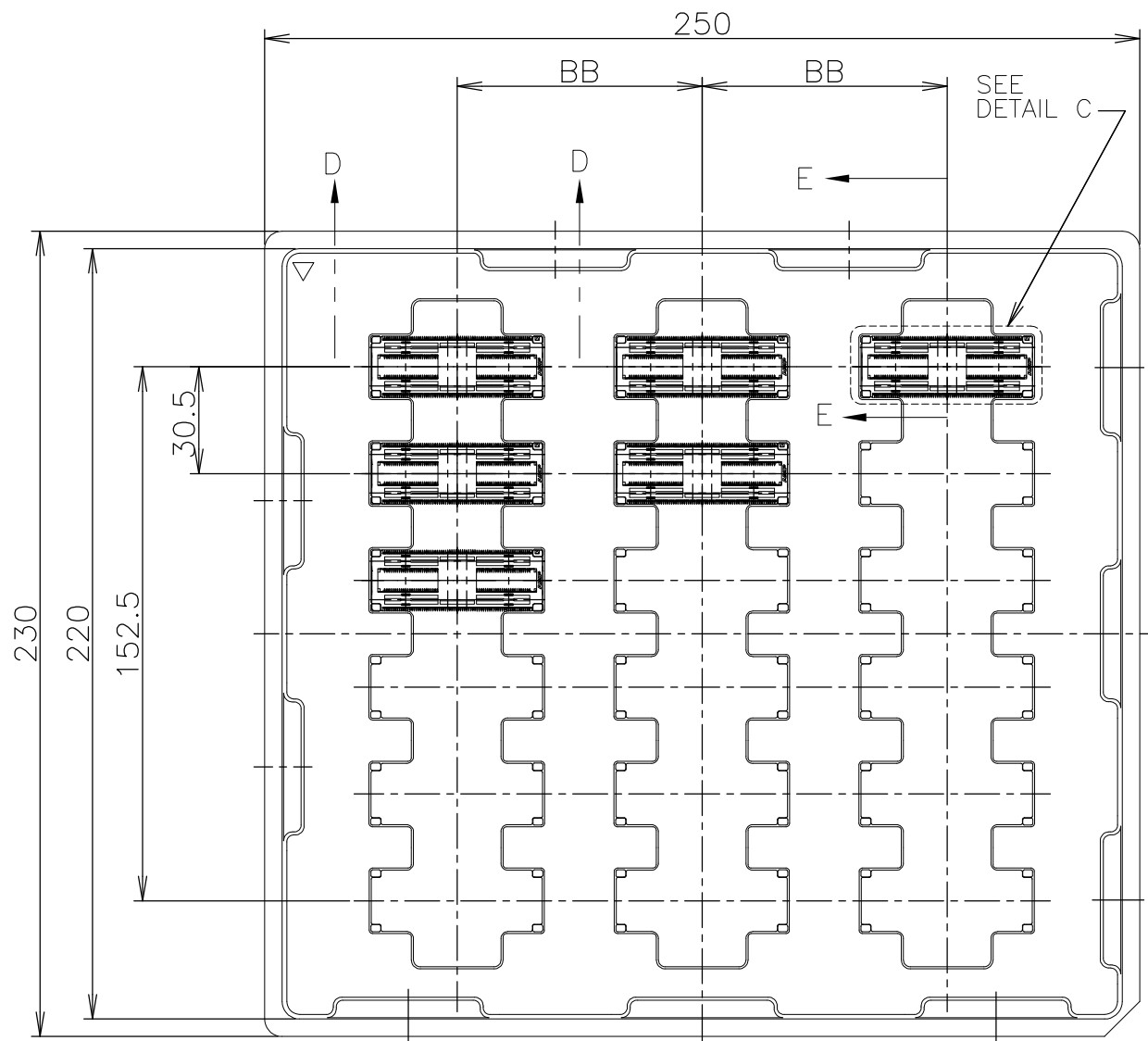


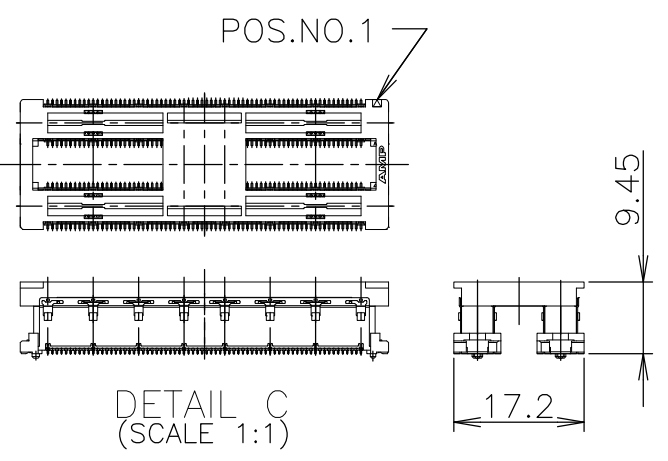
THIS DRAWING IS UNPUBLISHED. RELEASED FOR PUBLICATION JAN , 1997.
 © COPYRIGHT 1997 BY TYCO ELECTRONICS CORPORATION. ALL RIGHTS RESERVED.

LOC J	DIST	REVISIONS 変更			DATE	DWN	APVD
		P	LTR	DESCRIPTION			
		A	REVISED	ECR-08-000339	01FEB08	T.T	T.F

AS SHOWN: TYPE-1



SEALANT	NOT AVAILABLE	3	18	70	54.7	320	6-5353727-1
	AVAILABLE	↑	↑	↑	48.7	280	6- ↑ -0
	NOT AVAILABLE	↓	↓	↓	42.7	240	5- ↓ -9
	NOT AVAILABLE	3	18	70	36.7	200	5-5353727-8
NON SEALANT	NOT AVAILABLE	3	18	70	54.7	320	1-5353727-1
	AVAILABLE	↑	↑	↑	48.7	280	1- ↑ -0
	NOT AVAILABLE	↓	↓	↓	42.7	240	↓ -9
	NOT AVAILABLE	3	18	70	36.7	200	5353727-8
SEALANT	TOOLING STATUS	ROW	QTY	BB	AA	POS.	PART NO.



GENERAL TOLERANCE
一般公差

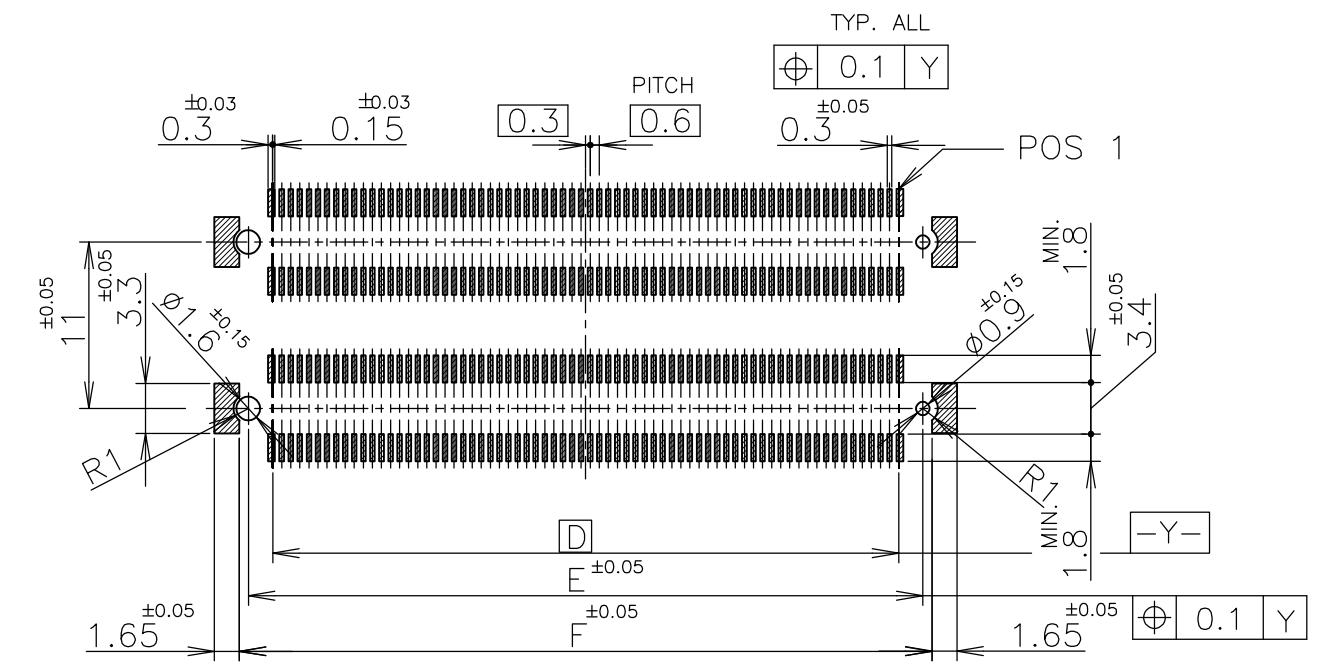
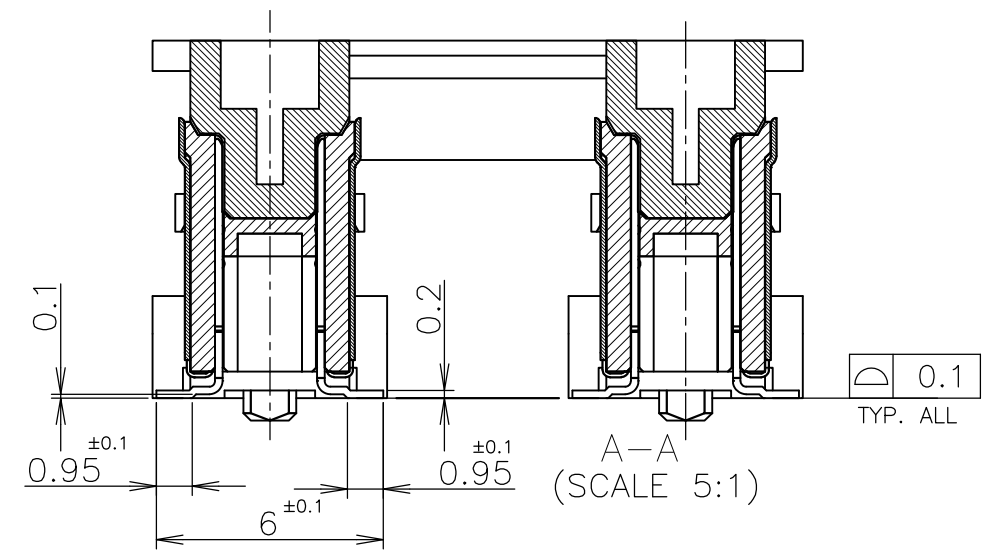
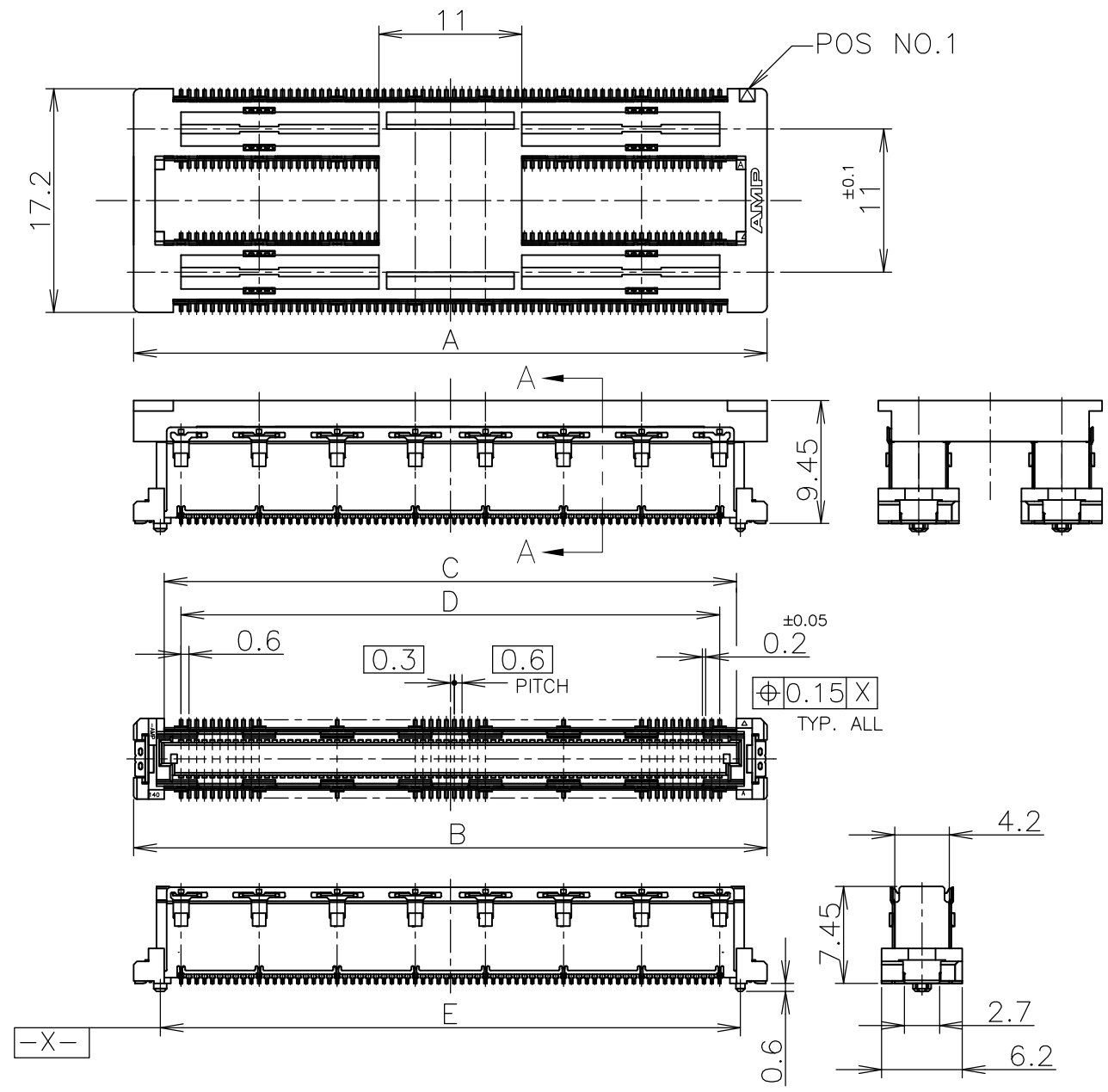
10 ≥ ±0.2
30 ≥ >10: ±0.25
100 ≥ >30: ±0.3
ANGLES: ±3°

THIS DRAWING IS A CONTROLLED DOCUMENT.

DWN LEO ZHOU 17NOV04	Tyco Electronics Corporation Kawasaki, Japan	
CHK STEVEN YAO 17NOV04		
APVD I.ENOMOTO 17NOV04		
NAME 名称 SOFT TRAY ASSY FH 0.6BTB CONNECTOR PLUG 8H W/G-PLATE 2ROW TYPE		
PRODUCT SPEC 製品規格 108-60047	SIZE A3	
APPLICATION SPEC 取付適用規格 114-5255	CAGE CODE 00779	
WEIGHT	DRAWING NO 番号 G-5353727	
CUSTOMER DRAWING		RESTRICTED TO
SCALE 尺度 1:2		SHEET 1 OF 3
REV A		

THIS DRAWING IS UNPUBLISHED. RELEASED FOR PUBLICATION JAN , 1997.
 © COPYRIGHT 1997 BY TYCO ELECTRONICS CORPORATION. ALL RIGHTS RESERVED.

LOC	DIST	REVISIONS		
		P	LTR	DESCRIPTION
J		-	SEE SHEET 1	
				DATE
				DWN
				APVD



REFERENCE P.C.BOARD LAYOUT

51.8	50.6	47.4	50	54.7	54.7	320	1-5353727-1	&	6-5353727-1
45.8	44.6	41.4	44	48.7	48.7	280	1-0	&	6-0
39.8	38.6	35.4	38	42.7	42.7	240	-9	&	5-9
33.8	32.6	29.4	32	36.7	36.7	200	5353727-8	&	5-5353727-8
F	E	D	C	B	A	POS	PART NO.		

- 1 MATERIAL ; HOUSING : HIGH TEMP THERMO PLASTIC
UL94V-0
CONTACT : COPPER ALLOY
- 2 FINISH ; UNDER PL Ni 0.0013mm MIN ALL OVER.
CONTACT AREA 0.0002 MIN Au PL.
SOLDERING AREA 0.001 MIN TIN PL.
- 3 THIS POSITION IS GROUND CIRCUIT.
- 4 TRAY TYPE-1 AND TYPE-2 MUST BE
PILED UP BY TURNS.
(REFER TO PACKING SPECIFICATIONS)

THIS DRAWING IS A CONTROLLED DOCUMENT.

DIMENSIONS: 単位: 耗 mm

TOLERANCES UNLESS OTHERWISE SPECIFIED: 一般公差

0 PLC	± -
1 PLC	± -
2 PLC	± -
3 PLC	± -
4 PLC	± -
ANGLES	± -

MATERIAL 材料

FINISH 仕上

DWN

CHK

APVD

PRODUCT SPEC 製品規格

APPLICATION SPEC 取付適用規格

WEIGHT

CUSTOMER DRAWING

Tyco Electronics Tyco Electronics Corporation Kawasaki, Japan

NAME 名称

SOFT TRAY ASSY
FH 0.6BTB CONNECTOR
PLUG 8H W/G-PLATE 2ROW TYPE

SIZE

CAGE CODE

DRAWING NO 番号

RESTRICTED TO

A300779 G-5353727

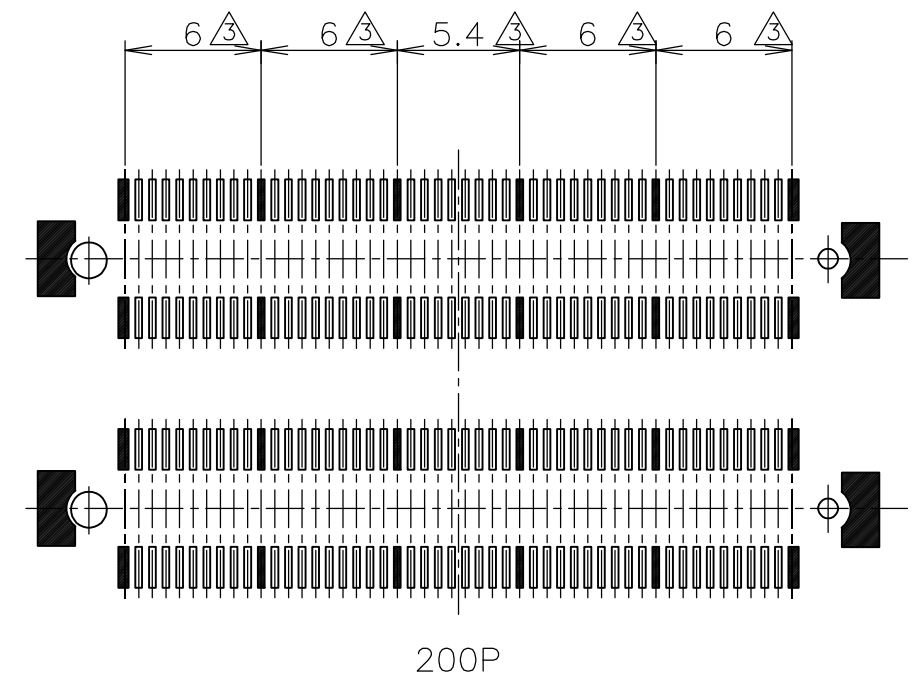
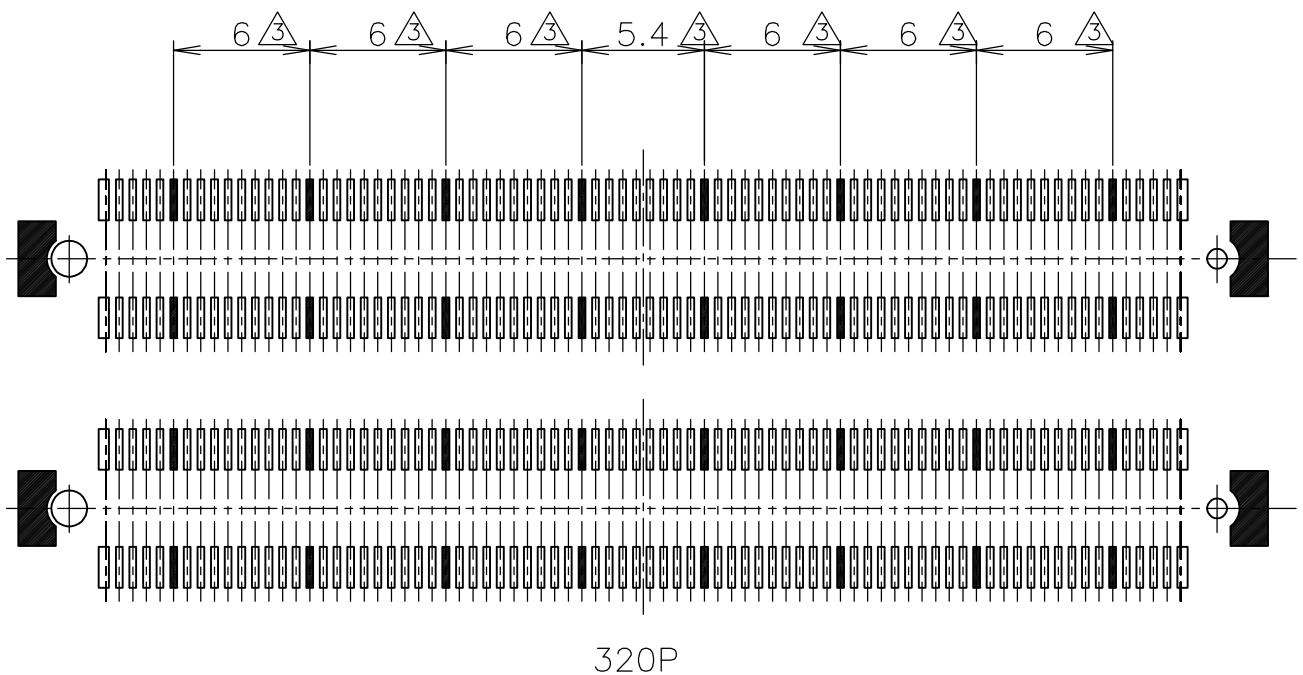
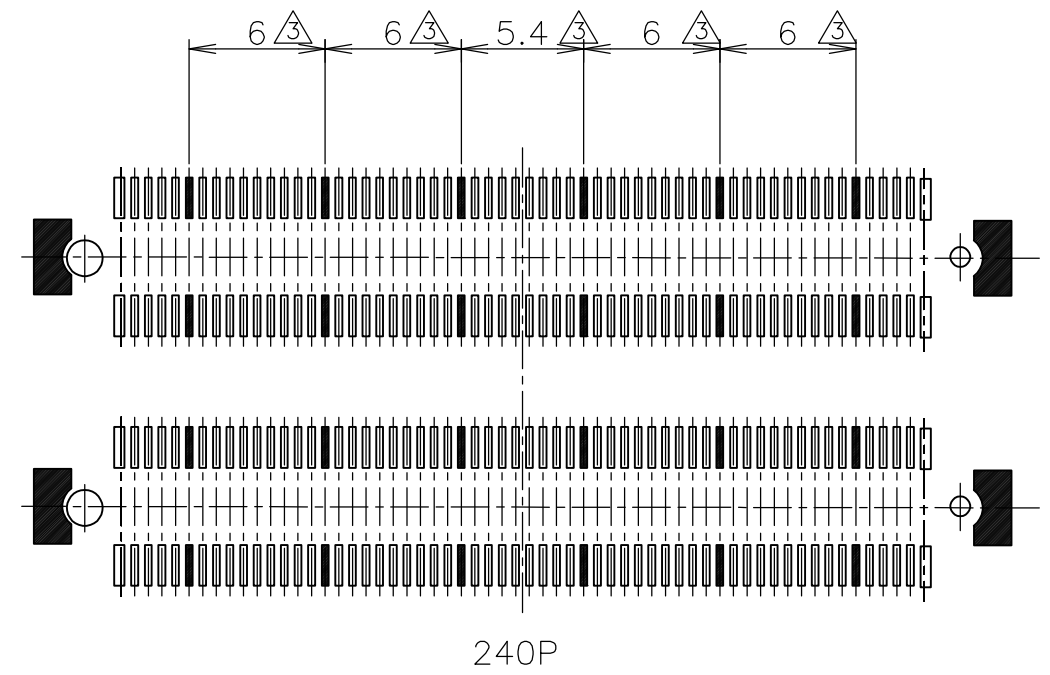
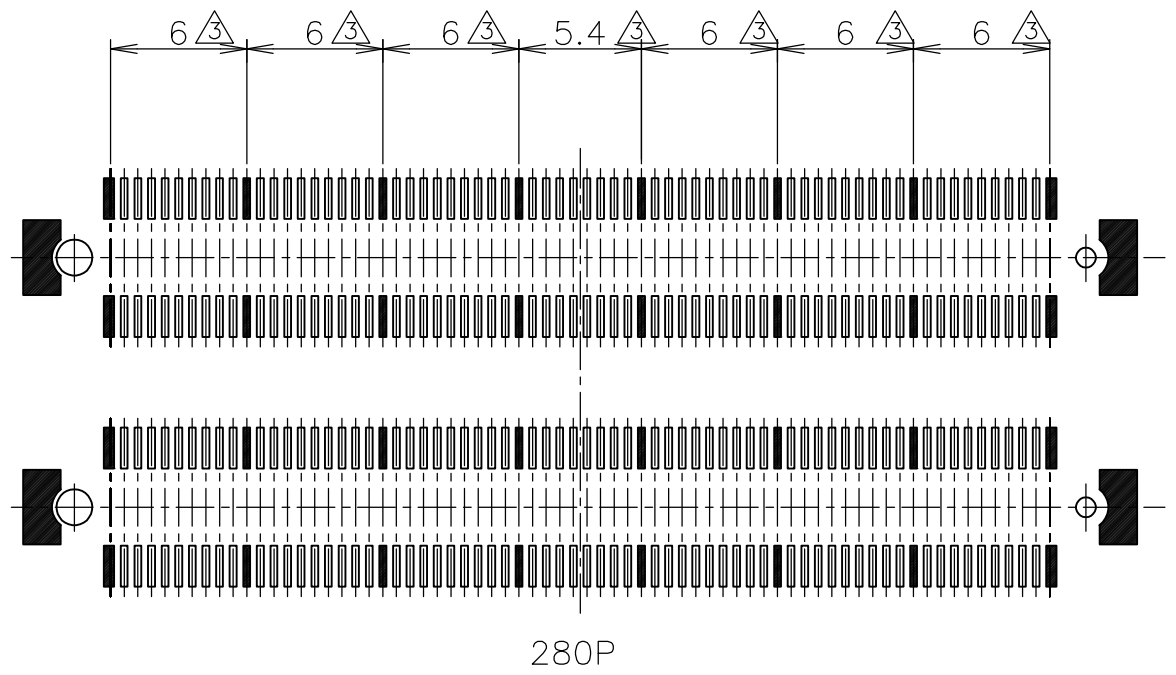
SCALE 尺度 2:1

SHEET 2 OF 3

REV A

THIS DRAWING IS UNPUBLISHED. RELEASED FOR PUBLICATION JAN , 1997.
 © COPYRIGHT 1997 BY TYCO ELECTRONICS CORPORATION. ALL RIGHTS RESERVED.

LOC	DIST	REVISIONS 変更			DATE	DWN	APVD
J		P	LTR	DESCRIPTION			
			-	SEE SHEET 1	-	-	-



THIS DRAWING IS A CONTROLLED DOCUMENT.		DWN	Tyco Electronics Corporation Kawasaki, Japan	
DIMENSIONS: 単位: 耗 mm	TOLERANCES UNLESS OTHERWISE SPECIFIED: 一般公差	CHK	NAME 名称	
	0 PLC ± -	APVD	SOFT TRAY ASSY	
	1 PLC ± -	PRODUCT SPEC 製品規格	FH 0.6BTB CONNECTOR	
	2 PLC ± -	APPLICATION SPEC 取付適用規格	PLUG 8H W/G-PLATE 2ROW TYPE	
	3 PLC ± -	WEIGHT	SIZE	RESTRICTED TO
MATERIAL 材料	4 PLC ± -	CUSTOMER DRAWING	CAGE CODE	DRAWING NO
	ANGLES ± -		A3	00779
FINISH 仕上	± -	G-5353727		SCALE 尺度 3:1
①	②	SHEET 3 OF 3		REV A

单击下面可查看定价，库存，交付和生命周期等信息

[>>TE Connectivity\(泰科\)](#)