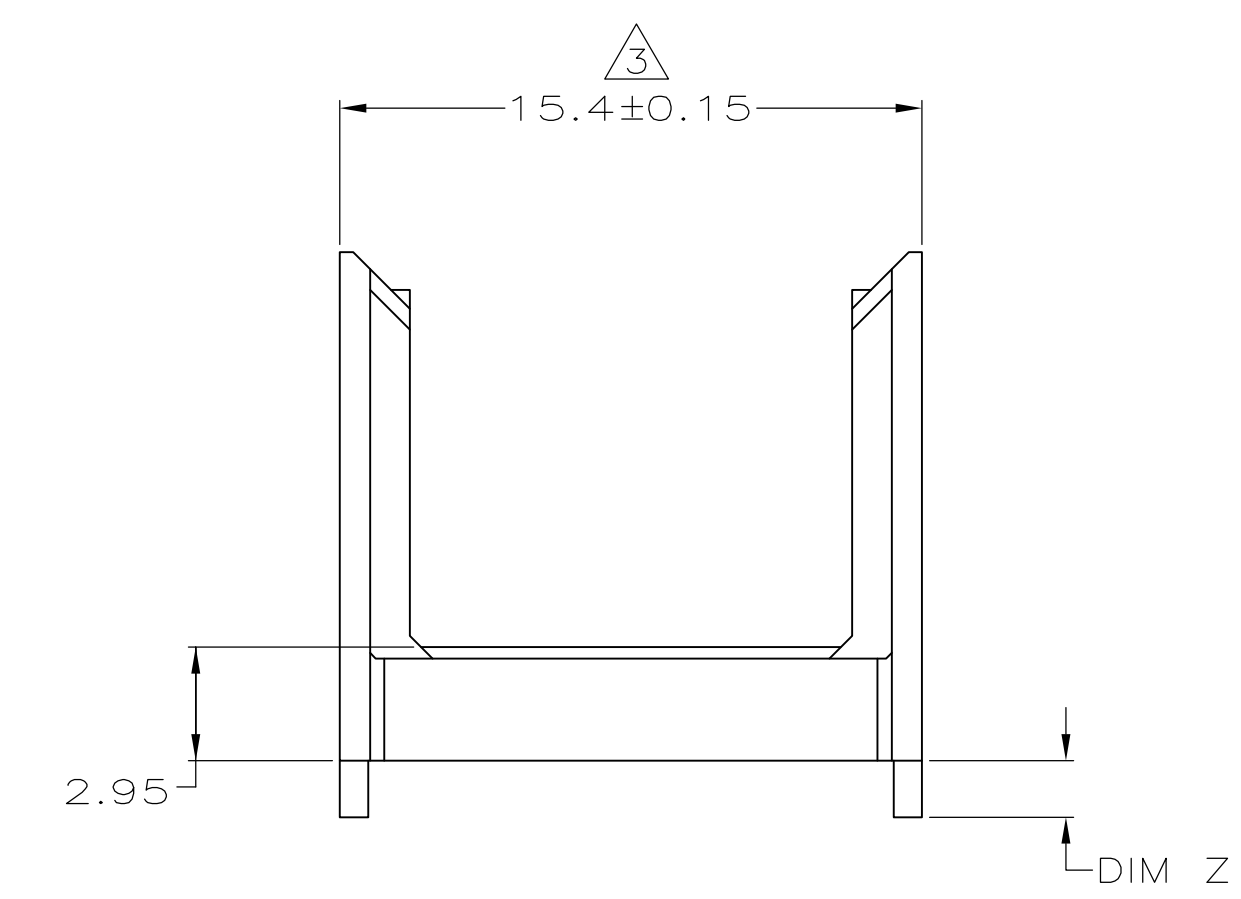
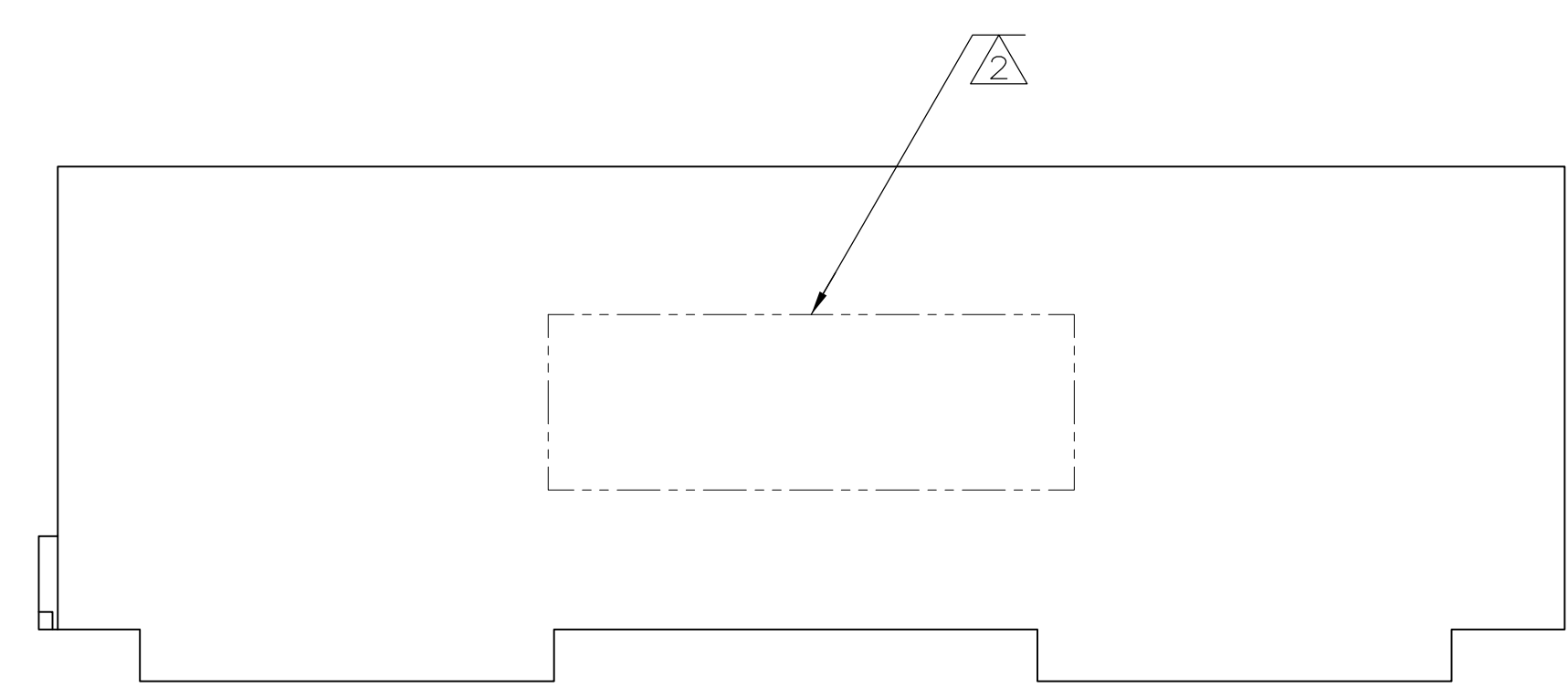
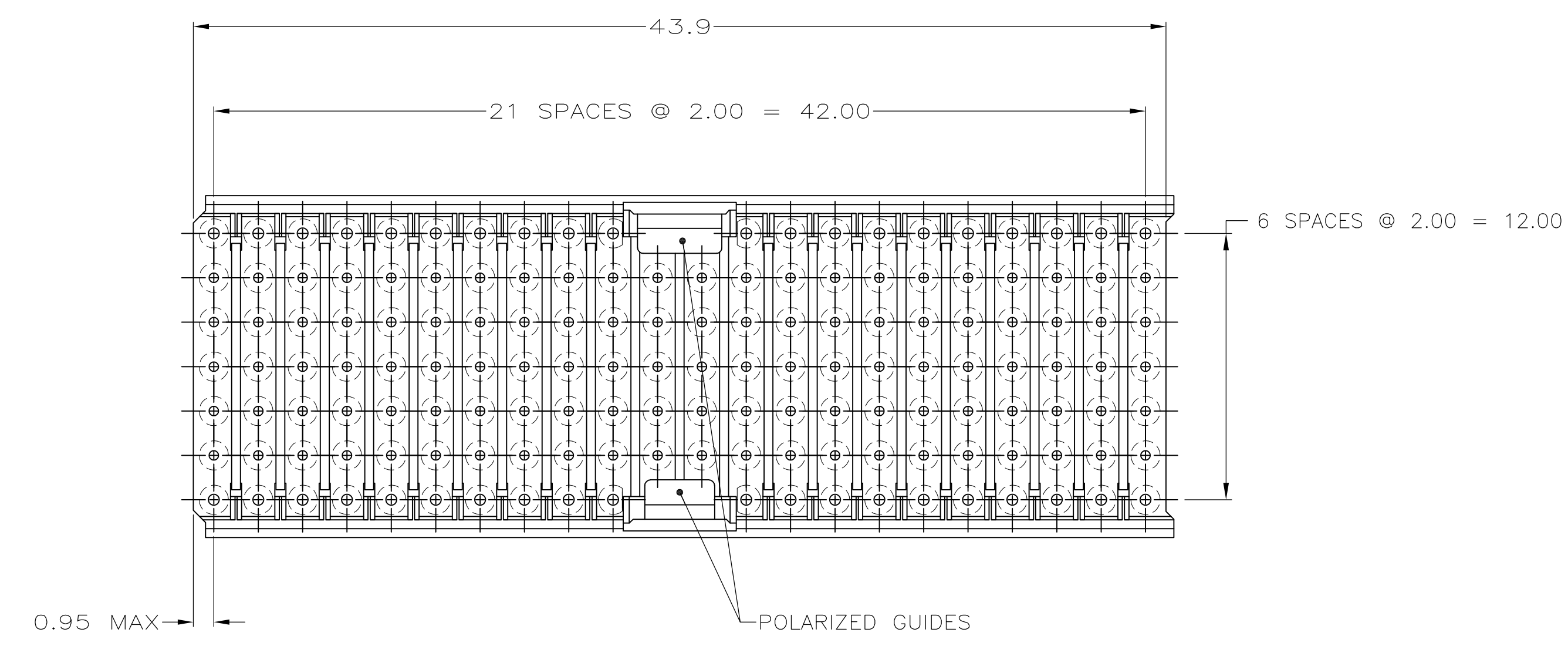
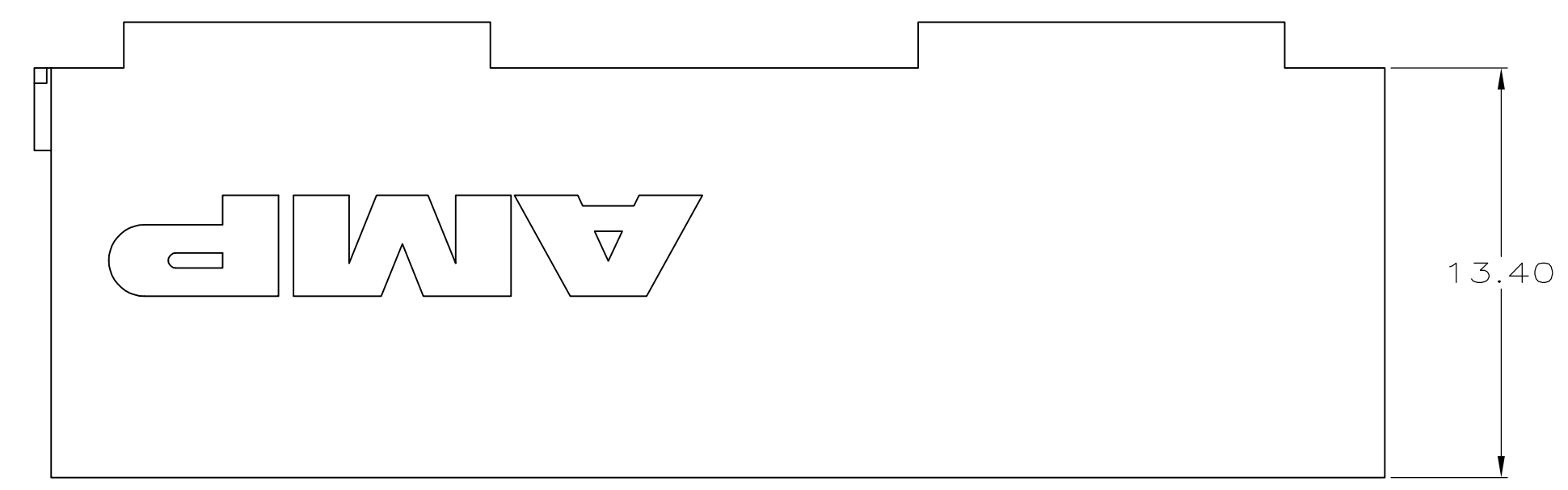


LOC		DIST		REVISIONS			
AD	47	REV	DATE	BY	CHK	APPV	
C		REV PER EC	0U1B-0192-01	27 JUN 01	BC	RP	
C1		REVISED PER ECO	10-000443	15JAN10	KK	AEG	
D		ECR	10-019054	15SEP10	DP	MQW	

- △1 MATERIAL: GLASS FILLED POLYESTER.
- △2 PART NUMBER MARKED IN APPROXIMATE AREA SHOWN.
- △3 TO BE MEASURED AT BASE OF SHROUD.
- △4 OBSOLETE PARTS: OBSOLETE CIS STREAMLINING PER D.RENAUD/D.SINIS



△ OBSOLETE	DIM Z	PART NUMBER
	1.90	646484-7
	1.70	646484-6
	1.50	646484-5
	1.30	646484-4
	1.10	646484-3
	0.90	646484-2
		646484-1
	DIM Z	PART NUMBER

THIS DRAWING IS A CONTROLLED DOCUMENT.

DIMENSIONS: mm	TOLERANCES UNLESS OTHERWISE SPECIFIED:	DWN: T. SHUEY 6-9-98	CHK: G. SKIPPER 11-23-98	AMP Incorporated Harrisburg, PA 17105-3608
0-PLC ±	1-PLC ±0.1	APPV: G. SKIPPER 11-23-98	NAME: SHROUD,A-B,Z-PACK 2mm HM,5 ROW,	
2-PLC ±0.05	3-PLC ±	PRODUCT SPEC	150 POSITION,WITH GUIDE	
4-PLC ±	ANGLES ±	APPLICATION SPEC	SIZE: CAGE CODE: DRAWING NO: RESTRICTED TO:	
MATERIAL: △1	FINISH: —	WEIGHT: —	A100779 C- 646484	
		CUSTOMER DRAWING	SCALE: 5:1 SHEET 1 of 1 REV 0	

单击下面可查看定价，库存，交付和生命周期等信息

[>>TE Connectivity\(泰科\)](#)