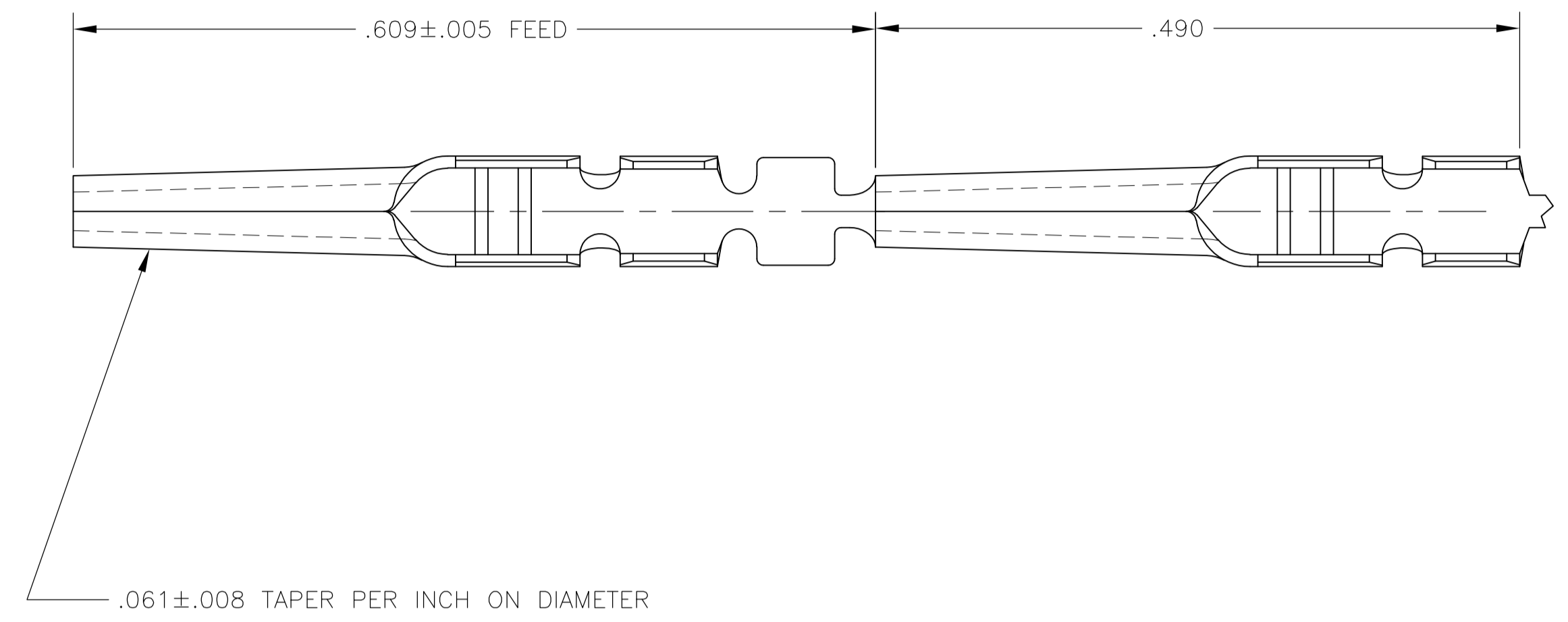
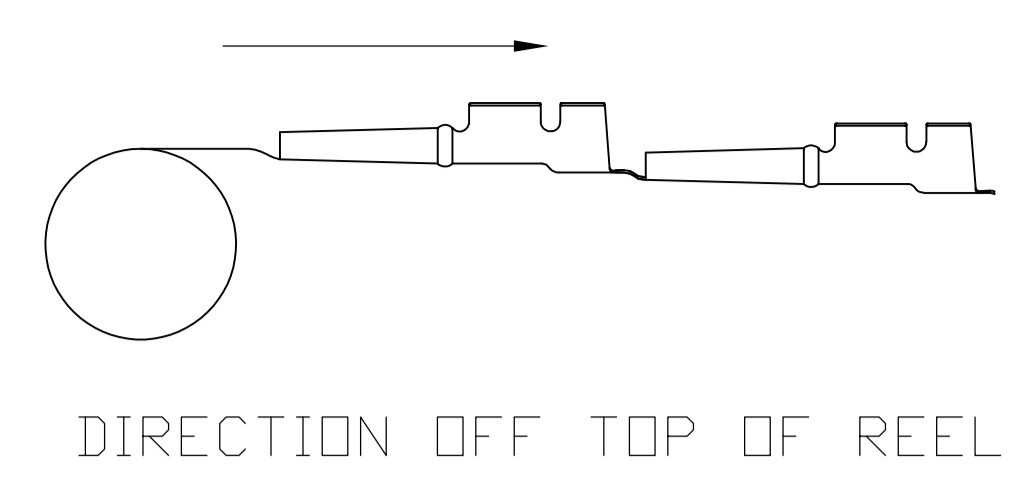
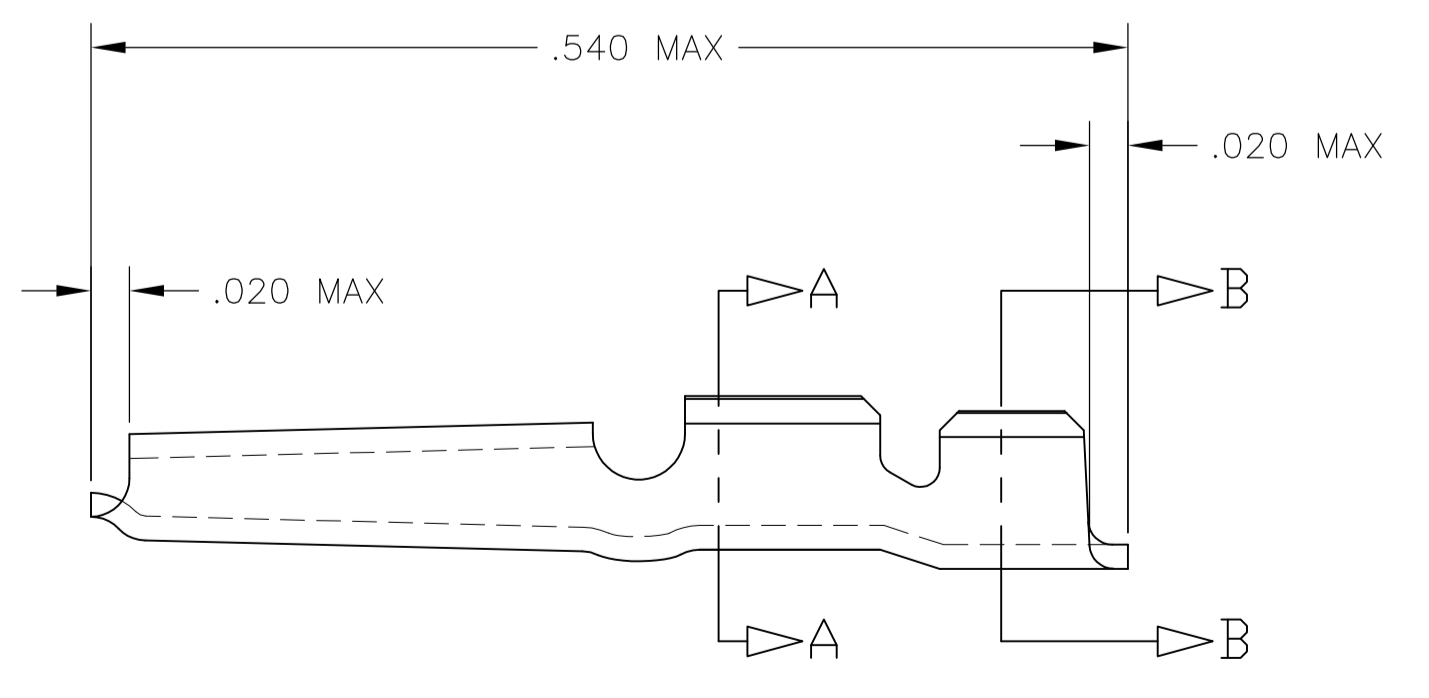
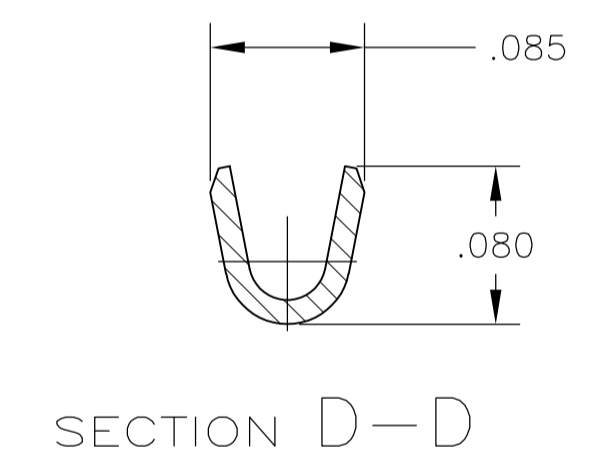
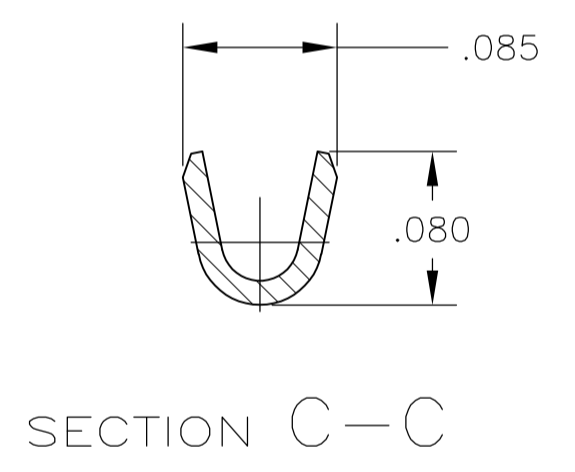
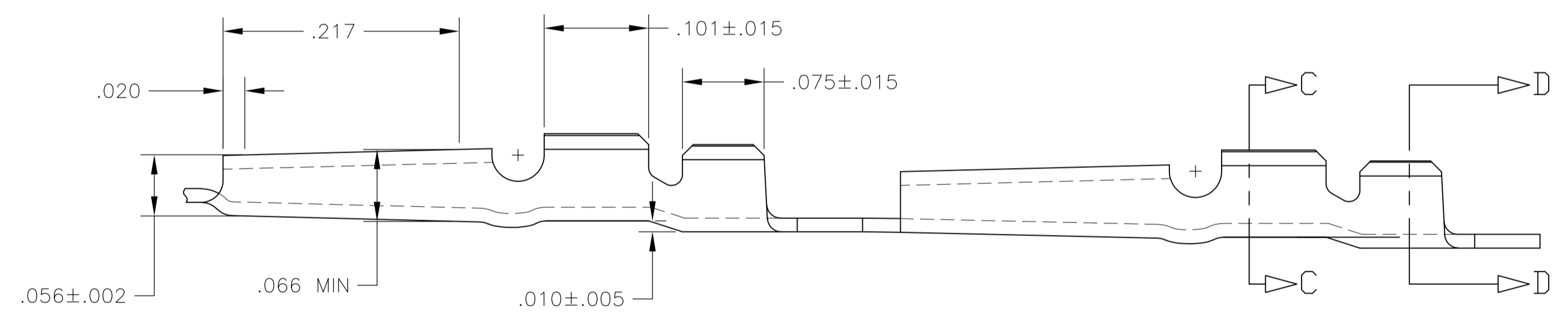


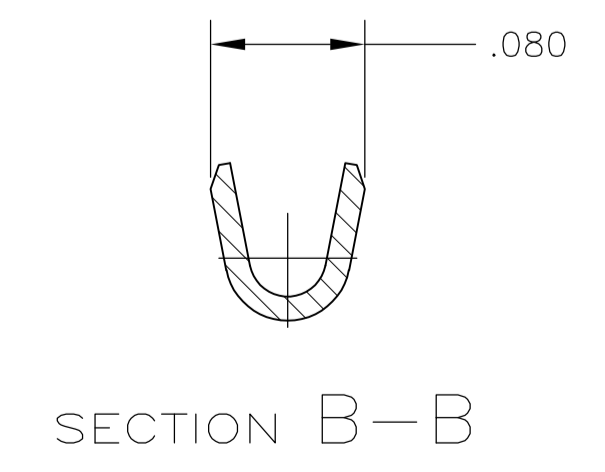
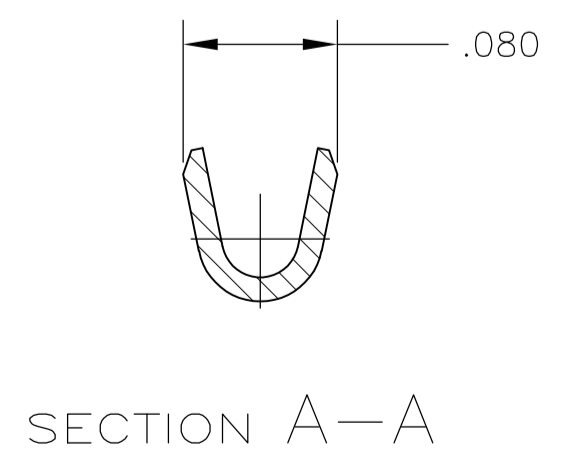
LOC		DIST		REVISIONS			
P	LTR	DESCRIPTION	DATE	DWN	APVD		
A		RELEASED	4-20-09	CT	JW		



STRIP



LOOSE PIECE



LOOSE PIECE	.040 - .055	24 - 22	MATTE-TIN OVER NICKEL	1757299-2
ON REEL	.040 - .055	24 - 22	MATTE-TIN OVER NICKEL	1757299-1
NOTES	INSULATION SIZE	WIRE SIZE	FINISH	PART NO.

THIS DRAWING IS A CONTROLLED DOCUMENT.

DIMENSIONS: INCHES	TOLERANCES UNLESS OTHERWISE SPECIFIED:	DIN C.C.THOMAS 4-20-09	Tyco Electronics Corporation Harrisburg, PA 17105-3608
0 PLC ± -	1 PLC ± -	4-20-09	
2 PLC ± -	3 PLC ± .010	APVD J.WEAVER 4-20-09	Tyco Electronics
4 PLC ± -	ANGLES ± -	NAME J.WEAVER 4-20-09	
MATERIAL BRASS #260; HARD	FINISH SEE TABLE	PRODUCT SPEC	APPLICATION SPEC
		SIZE A1	CAGE CODE 00779
		WEIGHT	DRAWING NO. 1757299
		CUSTOMER DRAWING	RESTRICTED TO
		SCALE 10:1	SHEET 1 OF 1
			REV A

单击下面可查看定价，库存，交付和生命周期等信息

[>>TE Connectivity\(泰科\)](#)