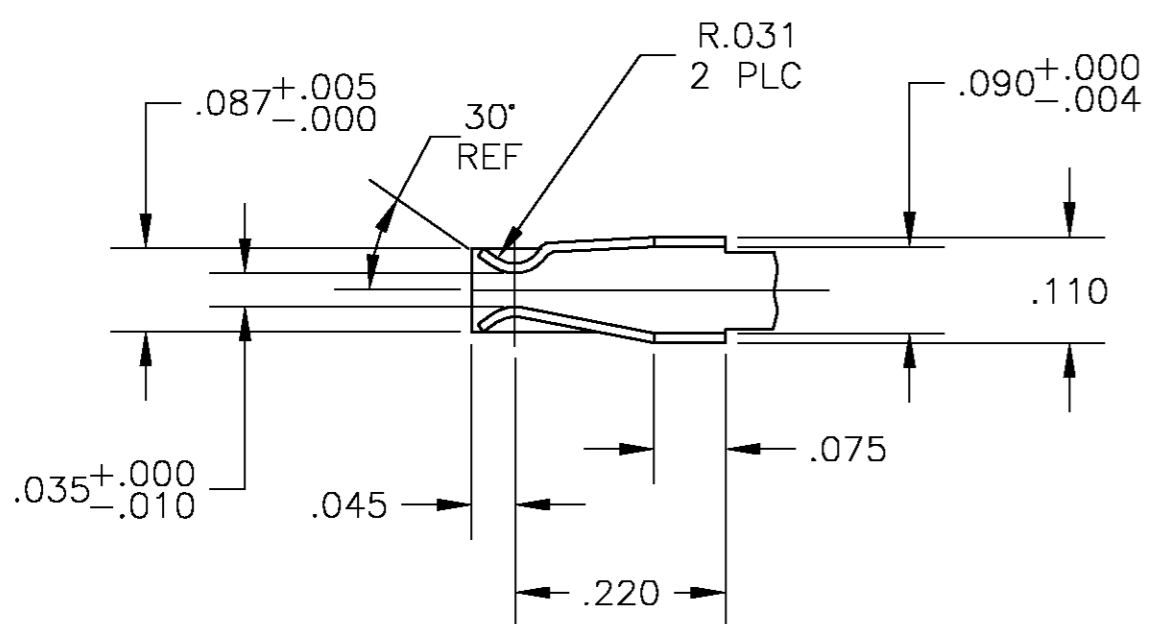
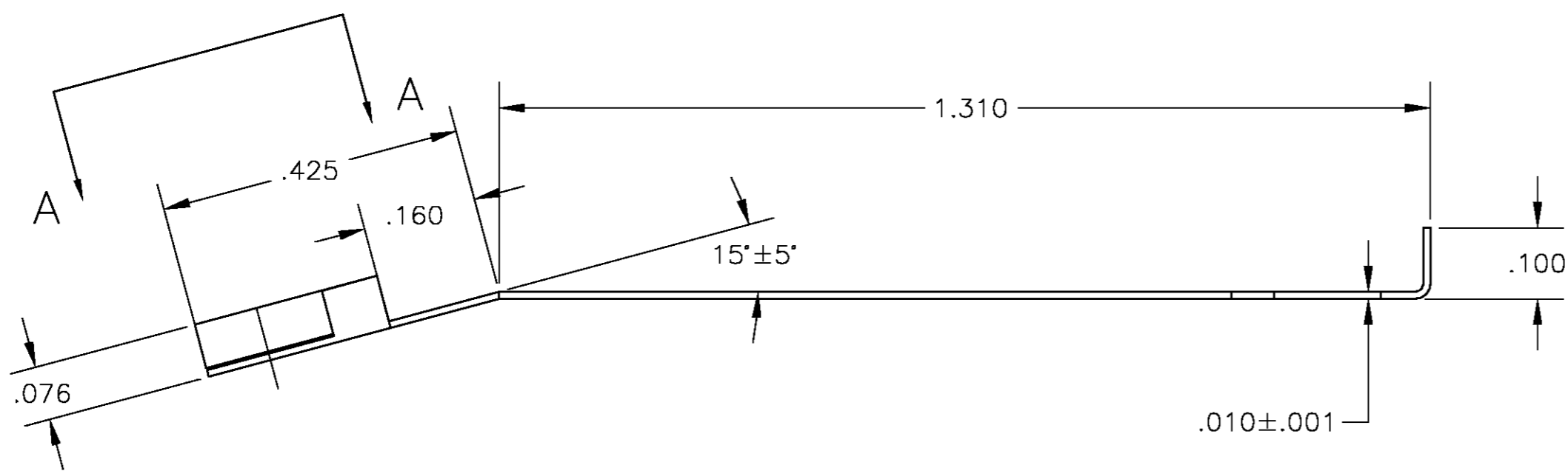
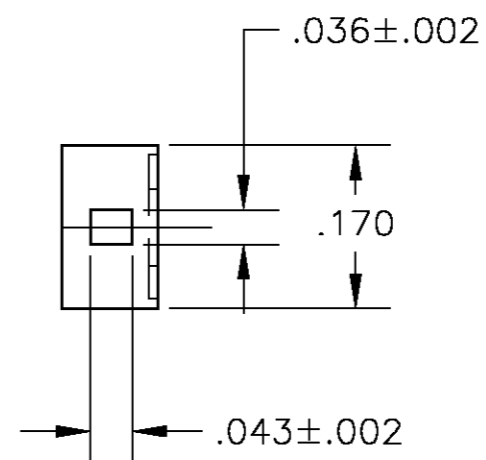
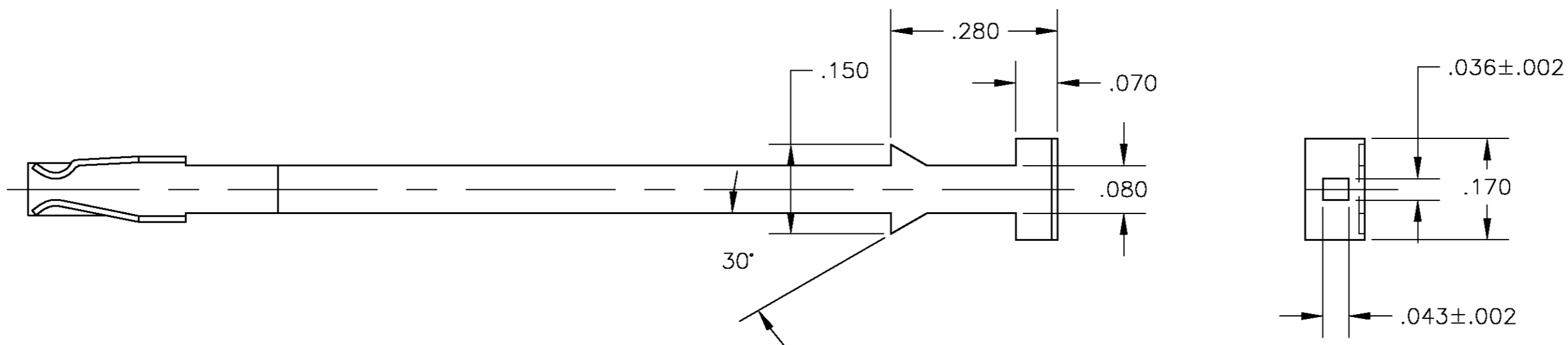


THIS DRAWING IS UNPUBLISHED. RELEASED FOR PUBLICATION
 © COPYRIGHT BY TYCO ELECTRONICS CORPORATION. ALL RIGHTS RESERVED.

LOC	DIST	REVISIONS			
P	LTR	DESCRIPTION	DATE	DWN	APVD
AG	14	REVISED PER 0G63-0116-03	09OCT03	MF	KR

1 SUPPLIED IN LOOSE PIECE



VIEW A-A
 ROTATED 15° CW

1601950-1
 PART NO

THIS DRAWING IS A CONTROLLED DOCUMENT.		DWN jr ruth 16JAN03	Tyco Electronics Corporation Harrisburg, PA 17105	
DIMENSIONS: INCHES		CHK K RANDOLPH 16JUN03	NAME K RANDOLPH	
TOLERANCES UNLESS OTHERWISE SPECIFIED:		APVD K RANDOLPH 16JUN03	PRODUCT SPEC -	
0 PLC ± -		APPLICATION SPEC -		
1 PLC ± -		WEIGHT -		
2 PLC ± -		SIZE A2		
3 PLC ± .010		CAGE CODE 00779		
4 PLC ± -		DRAWING NO C=1601950		
ANGLES ± 1°		RESTRICTED TO -		
FINISH -		SCALE 5:1		
MATERIAL 3/4 HARD BRASS		SHEET 1 OF 1		
CUSTOMER DRAWING		REV A		

单击下面可查看定价，库存，交付和生命周期等信息

[>>TE Connectivity\(泰科\)](#)