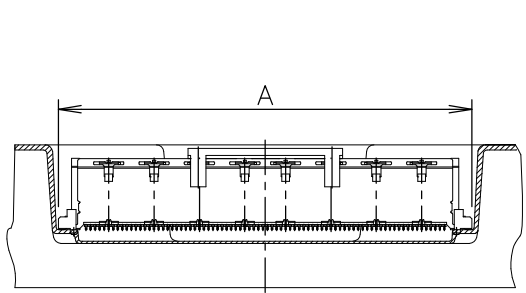
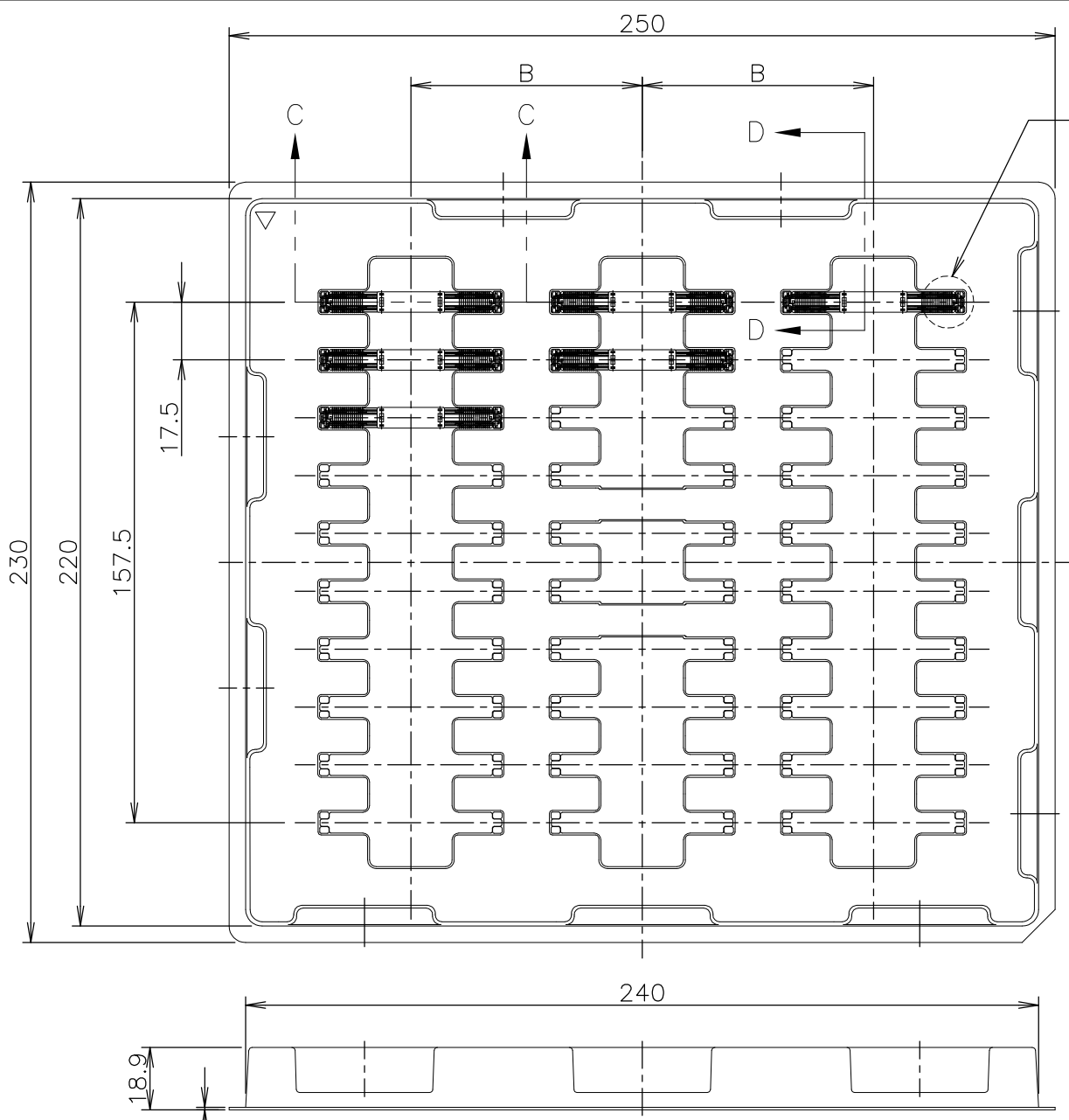


THIS DRAWING IS UNPUBLISHED. RELEASED FOR PUBLICATION APR, 1998.
 © COPYRIGHT 1998 BY TYCO ELECTRONICS CORPORATION. ALL RIGHTS RESERVED.

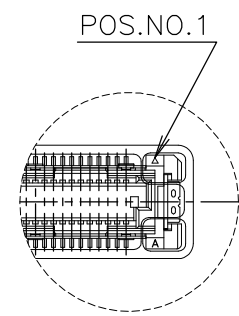
LOC	DIST	REVISIONS		
J		変更		
P	LTR	DESCRIPTION	DATE	DWN
	A	REVISED ECR-08-000339	01FEB08	T.T
				APVD
				T.F

AS SHOWN: TYPE-1

SEE DETAIL E

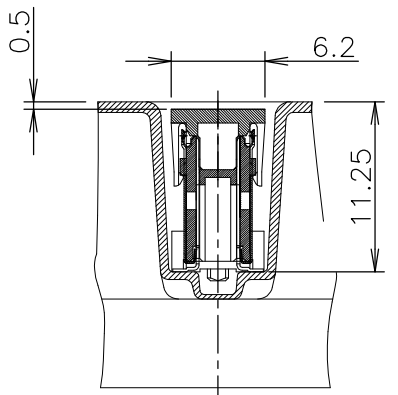
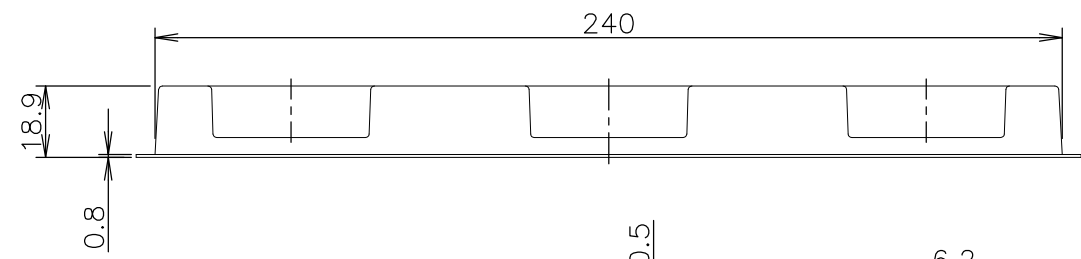


C-C (SCALE 1:1)

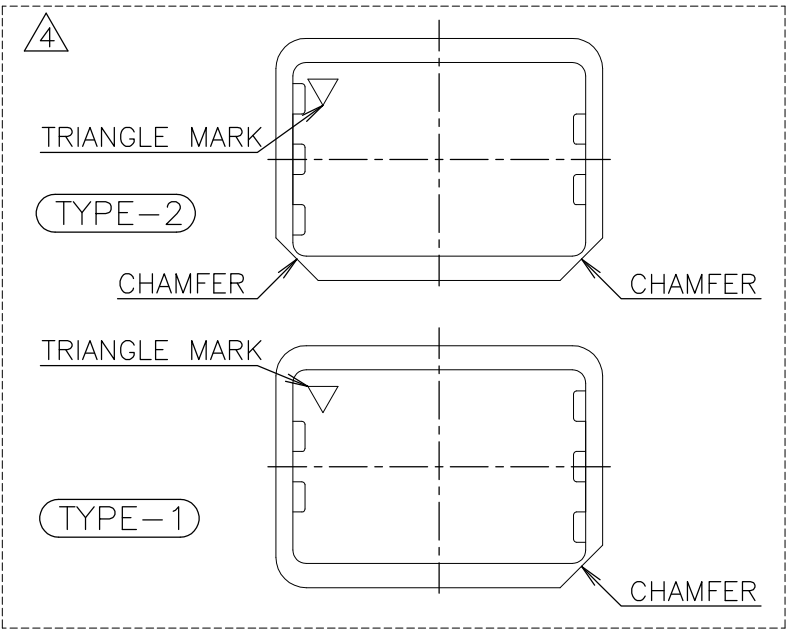


DETAIL E (SCALE 2:1)

⚠ TRAY TYPE-1 AND TYPE-2 MUST BE
 PILED UP BY TURNS.
 (REFER TO PACKING SPECIFICATIONS)



D-D (SCALE 2:1)



SEALANT	AVAILABLE	3	30	70	54.7	160	912074-4	6-6123845-1
SEALANT	TOOLING STATUS	LOW	QTY	B	A	POS.	TRAY P/N	PART NO.

THIS DRAWING IS A CONTROLLED DOCUMENT.

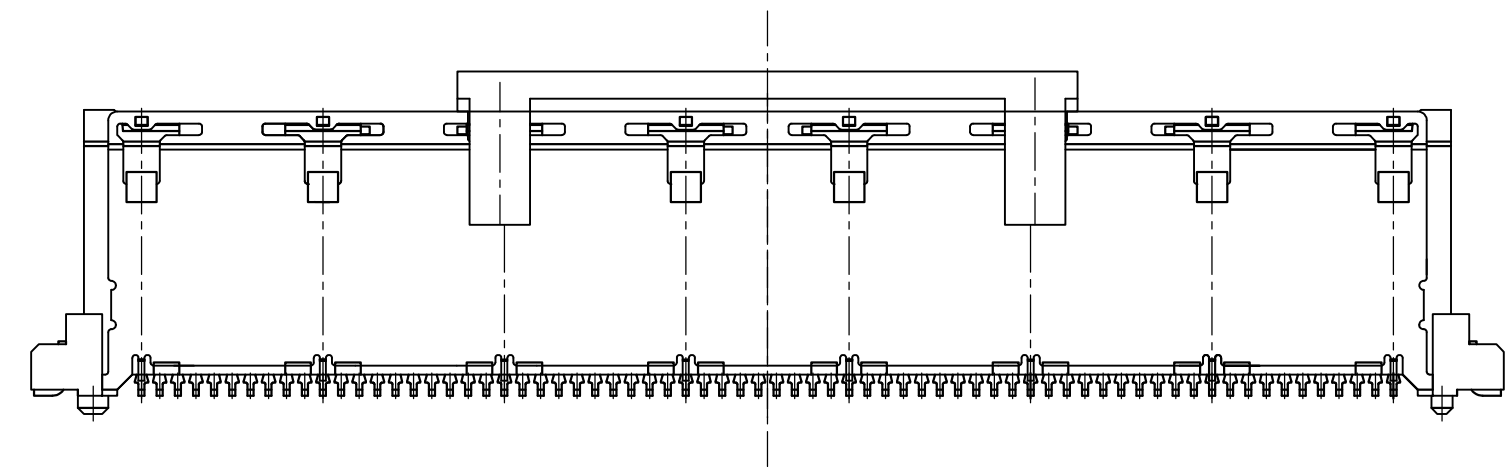
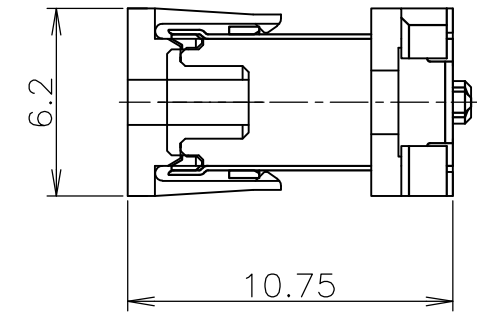
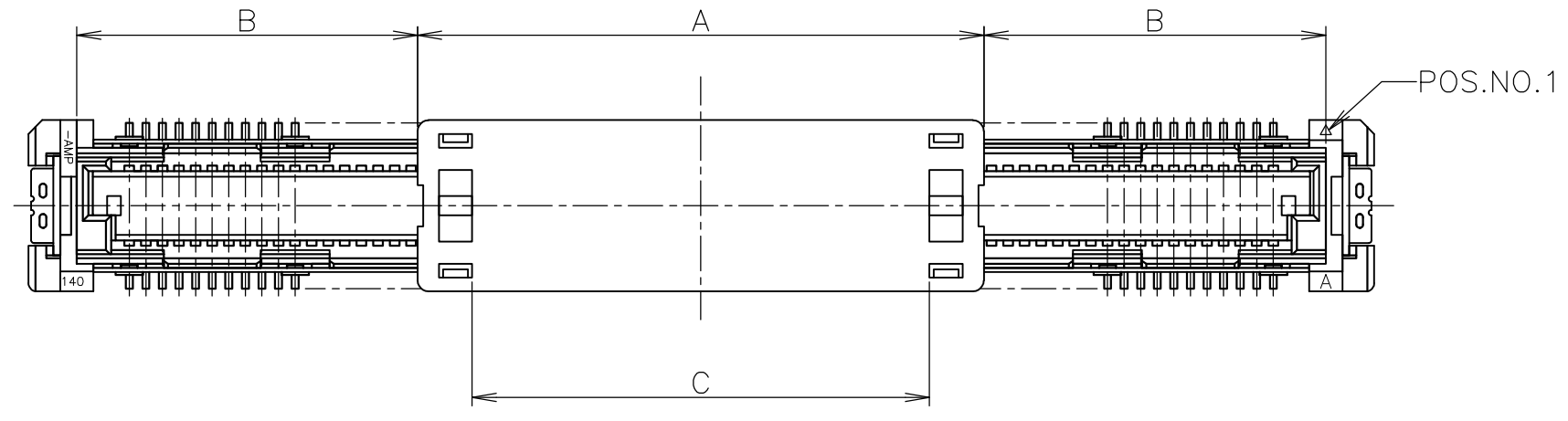
DIMENSIONS: 单位: 耗 mm	TOLERANCES UNLESS OTHERWISE SPECIFIED: 一般公差
	0 PLC ±
	1 PLC ±
	2 PLC ±
	3 PLC ±
	4 PLC ±
	ANGLES ±
	FINISH 仕上
MATERIAL 材料	

GENERAL TOLERANCE 一般公差
10 ≥ ±0.2
30 ≥ >10: ±0.25
100 ≥ >30: ±0.3
ANGLES: ±3°

DWN	WENKE HE	8JUN05	Tyco Electronics Corporation Kawasaki, Japan
CHK	GAVIN ZHANG	8JUN05	
APVD	STEVEN YAO	8JUN05	
PRODUCT SPEC	SOFT TRAY ASSY		
製品規格	FH 0.6BTB CONNECTOR		
APPLICATION SPEC	PLUG 10H W/G-PLATE WITH 1ROW CAP		
取付適用規格	SIZE	CAGE CODE	DRAWING NO
WEIGHT	A3	00779	G-6123845
CUSTOMER DRAWING	SCALE	SHEET	REV
	尺度 1:2	1 OF 4	A

THIS DRAWING IS UNPUBLISHED. RELEASED FOR PUBLICATION APR , 1998.
 © COPYRIGHT 1998 BY TYCO ELECTRONICS CORPORATION. ALL RIGHTS RESERVED.

LOC	DIST	REVISIONS			DATE	DWN	APVD
J		P	LTR	DESCRIPTION			
			-	SEE SHEET 1	-	-	-



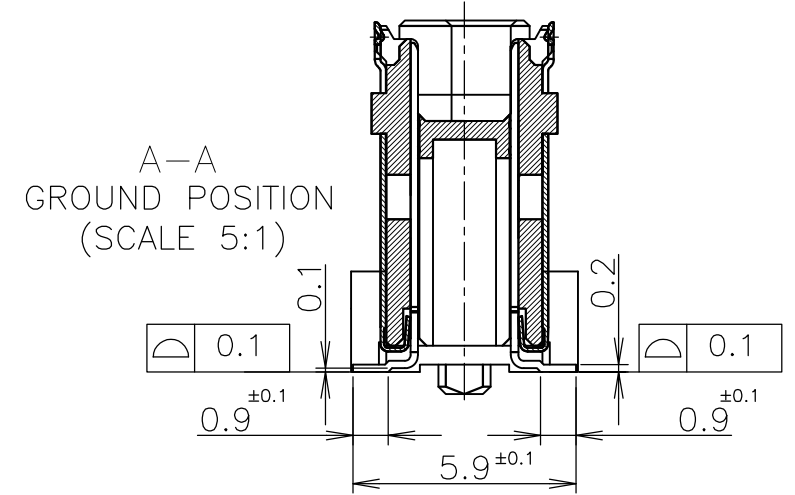
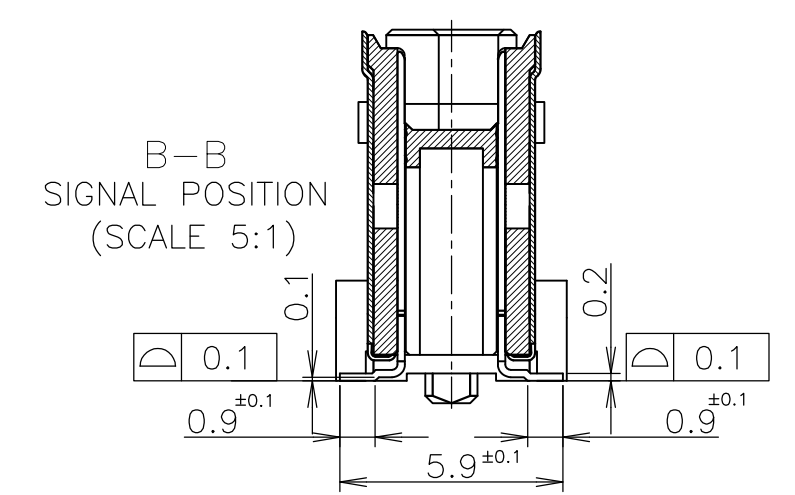
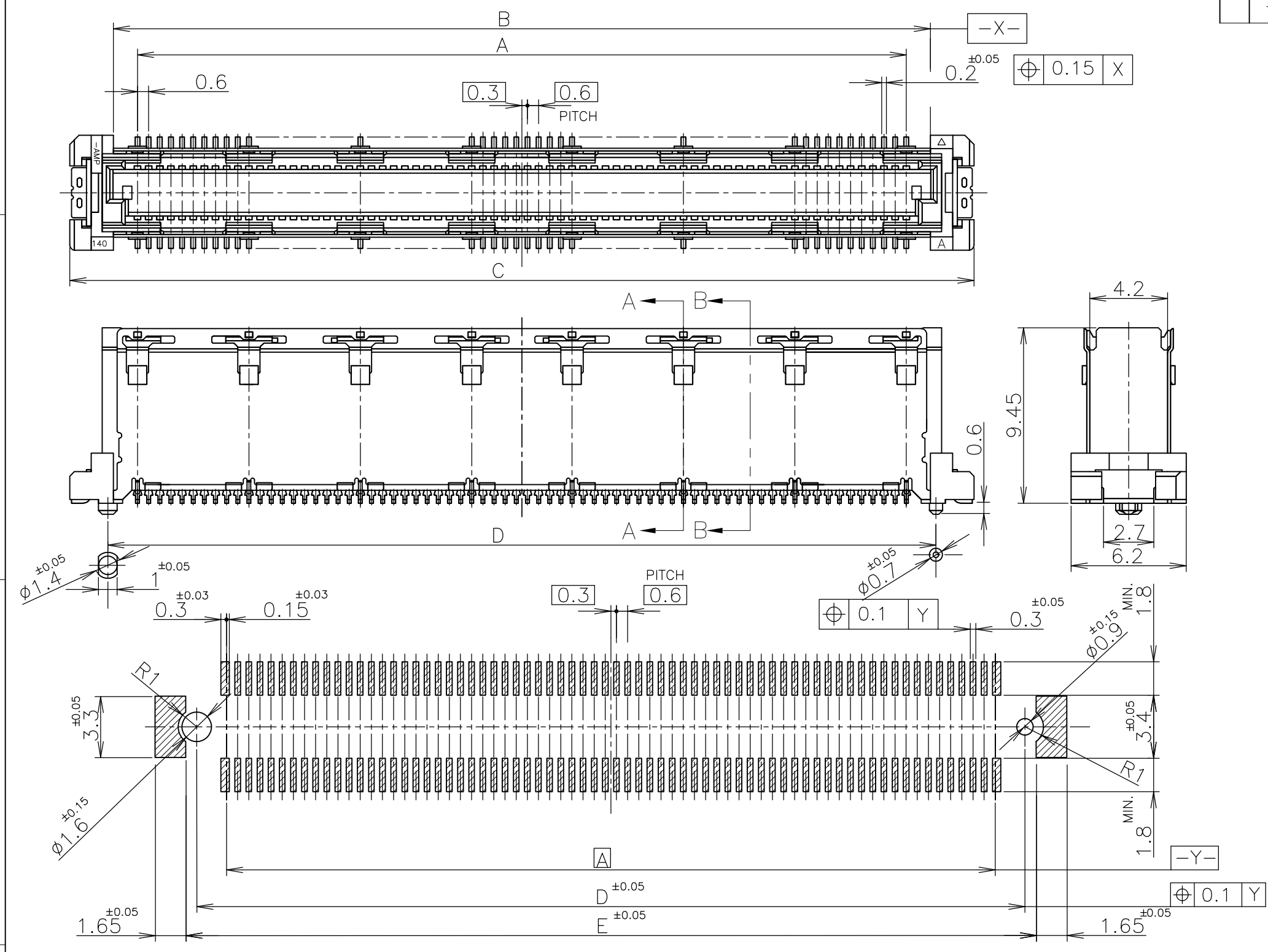
5 CONNECTORS DIMENSION AND REFERENCE P.C BOARD LAYOUT : SEE SHEET 3.

AVAILABLE	16.5	15.4	20.5	160	1123835-1	6-6123845-1
TOOLING STATUS	C	B	A	POS	CAP PART NO.	PART NO.

THIS DRAWING IS A CONTROLLED DOCUMENT.		DWN	Tyco Electronics Corporation Kawasaki, Japan			
DIMENSIONS: 单位: 耗 mm		CHK	NAME 名称			
TOLERANCES UNLESS OTHERWISE SPECIFIED: 一般公差		APVD	SOFT TRAY ASSY FH 0.6BTB CONNECTOR PLUG 10H W/G-PLATE WITH 1ROW CAP			
0 PLC ± -		PRODUCT SPEC 製品規格	SIZE	CAGE CODE	DRAWING NO 番号	RESTRICTED TO
1 PLC ± -		APPLICATION SPEC 取付適用規格	A3	00779	G-6123845	
2 PLC ± -		WEIGHT	CUSTOMER DRAWING			
3 PLC ± -			SCALE 尺度	SHEET	REV	
4 PLC ± -			4:1	2 OF 4	A	
ANGLES ± -						
FINISH 仕上						
MATERIAL 材料						

THIS DRAWING IS UNPUBLISHED. RELEASED FOR PUBLICATION APR, 1998.
 © COPYRIGHT 1998 BY TYCO ELECTRONICS CORPORATION. ALL RIGHTS RESERVED.

LOC	DIST	REVISIONS		
J		P	LTR	DESCRIPTION
				DATE
				DWN
				APVD
		SEE SHEET 1		



REFERENCE P.C.BOARD LAYOUT

GENERAL TOLERANCE
一般公差

10 ≥	±0.2
30 ≥	>10: ±0.25
100 ≥	>30: ±0.3
ANGLES: ±3°	

THIS DRAWING IS A CONTROLLED DOCUMENT.

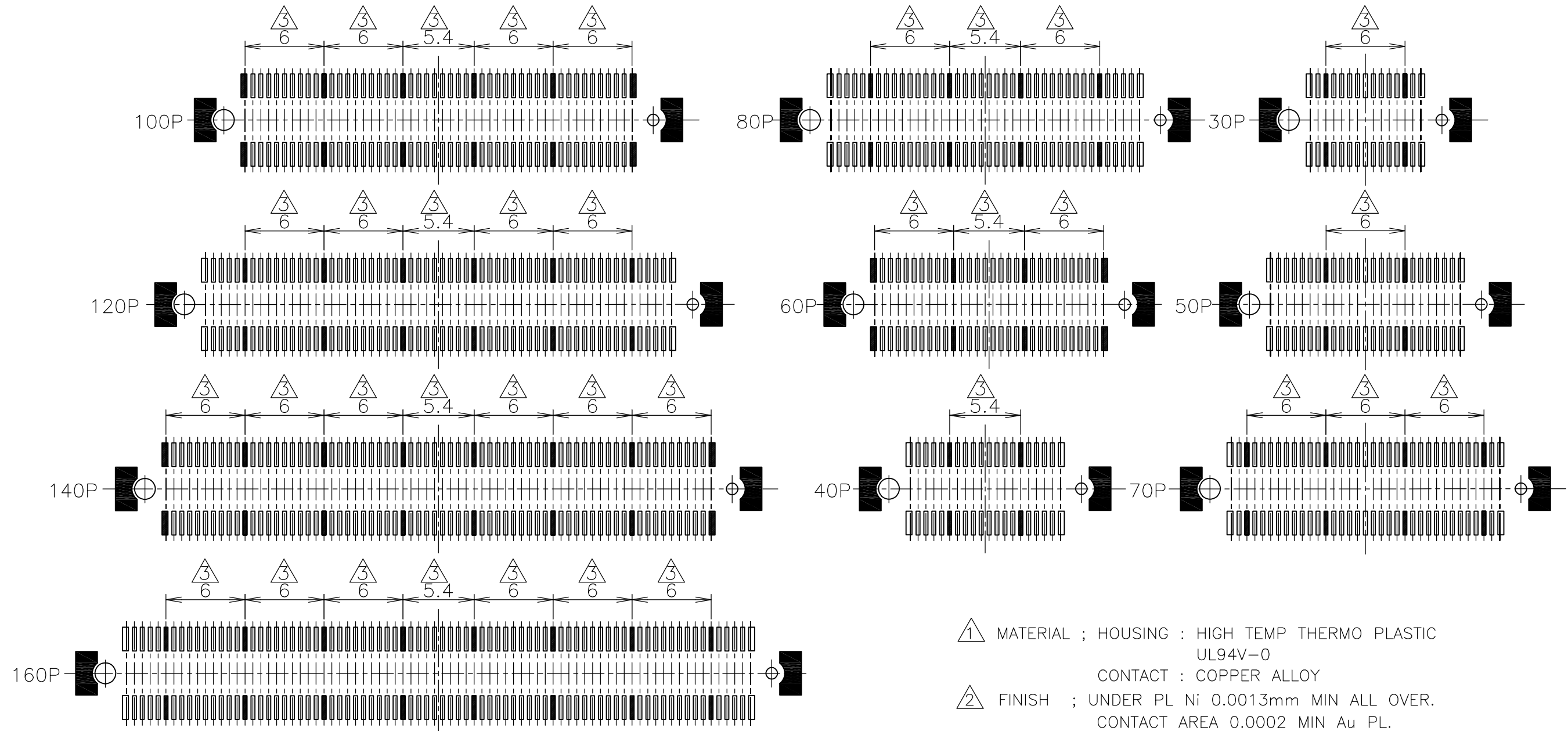
DIMENSIONS: 単位: 耗 mm	TOLERANCES UNLESS OTHERWISE SPECIFIED: 一般公差
	0 PLC ± -
	1 PLC ± -
	2 PLC ± -
	3 PLC ± -
	4 PLC ± -
	ANGLES ± -
MATERIAL 材料	FINISH 仕上

DWN
CHK
APVD
PRODUCT SPEC 製品規格
APPLICATION SPEC 取付適用規格
WEIGHT
CUSTOMER DRAWING

AVAILABLE	51.8	50.6	54.7	50	47.4	160	6-6123845-1
TOOLING STATUS	E	D	C	B	A	POS	PART NO.
Tyco Electronics		Tyco Electronics Corporation Kawasaki, Japan					
NAME 名称		SOFT TRAY ASSY FH 0.6BTB CONNECTOR PLUG 10H W/G-PLATE WITH 1ROW CAP					
SIZE	CAGE CODE	DRAWING NO 番号		RESTRICTED TO			
A3	00779	G-6123845					
SCALE 尺度		SHEET		REV			
4:1		3 OF 4		A			

THIS DRAWING IS UNPUBLISHED. RELEASED FOR PUBLICATION APR , 1998.
 © COPYRIGHT 1998 BY TYCO ELECTRONICS CORPORATION. ALL RIGHTS RESERVED.

LOC J	DIST	REVISIONS 変更			DATE	DWN	APVD
		P	LTR	DESCRIPTION			
			-	SEE SHEET 1	-	-	-



- ① MATERIAL ; HOUSING : HIGH TEMP THERMO PLASTIC
UL94V-0
CONTACT : COPPER ALLOY
- ② FINISH ; UNDER PL Ni 0.0013mm MIN ALL OVER.
CONTACT AREA 0.0002 MIN Au PL.
SOLDERING AREA 0.001 MIN TIN PL.
- ③ ■ THIS POSITION IS GROUND CIRCUIT.

GENERAL TOLERANCE
一般公差

10 ≥ : ±0.2
 30 ≥ >10 : ±0.25
 100 ≥ >30 : ±0.3
 ANGLES : ±3°

THIS DRAWING IS A CONTROLLED DOCUMENT.		DWN	Tyco Electronics Corporation Kawasaki, Japan	
DIMENSIONS: 単位: 耗 mm	TOLERANCES UNLESS OTHERWISE SPECIFIED: 一般公差	CHK	NAME 名称	
	0 PLC ± -	APVD	SOFT TRAY ASSY	
	1 PLC ± -	PRODUCT SPEC 製品規格	FH 0.6BTB CONNECTOR	
MATERIAL 材料	2 PLC ± -	APPLICATION SPEC 取付適用規格	PLUG 10H W/G-PLATE WITH 1ROW CAP	
	3 PLC ± -	WEIGHT	SIZE	RESTRICTED TO
	4 PLC ± -	CUSTOMER DRAWING	A3	
	ANGLES ± -		CAGE CODE	
	FINISH 仕上		00779	
			DRAWING NO 番号	
			G-6123845	
			SCALE 尺度	SHEET
			3:1	4 OF 4
			REV	A

单击下面可查看定价，库存，交付和生命周期等信息

[>>TE Connectivity\(泰科\)](#)