

4

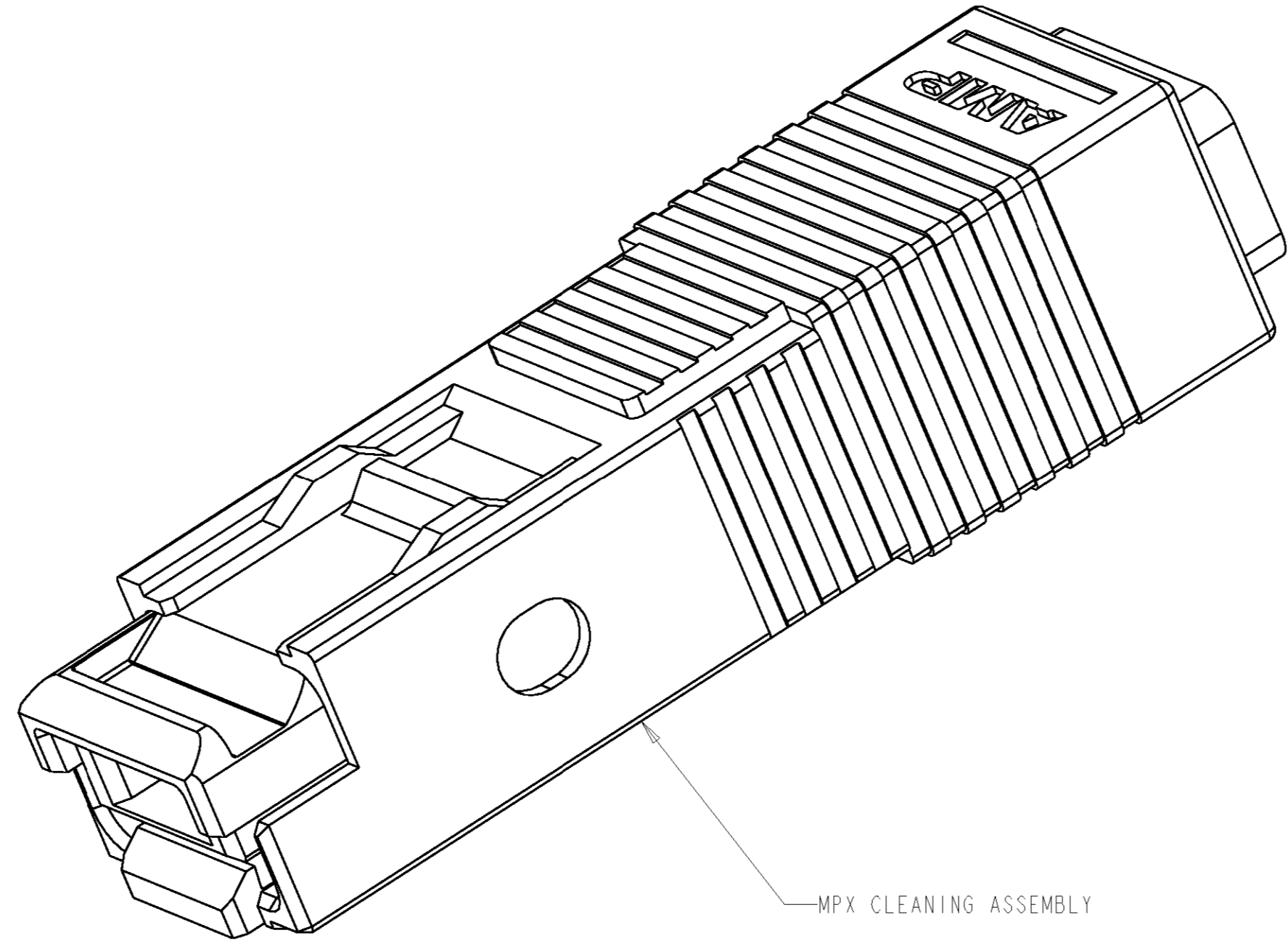
3

2

1

THIS DRAWING IS UNPUBLISHED. RELEASED FOR PUBLICATION  
 © COPYRIGHT 19 BY TYCO ELECTRONICS CORPORATION. ALL RIGHTS RESERVED.

LOC	DIST	REVISIONS					
		P	LTR	DESCRIPTION	DATE	DWN	APVD
CE	16		O	RELEASE PER NPR 98-487	12NOV98	EH	SH
			A	REVISED PER EC 0A00-0160-99	12MAR99	RB	SH
			B	REV PER ECN 0A00-0563-00	18JUL2000	SH	FA



MPX CLEANING ASSEMBLY

SCALE 8:1

BULK PACK 25 PIECES.

1278386-2  
PART NUMBER

<small>THIS DRAWING IS A CONTROLLED DOCUMENT FOR TYCO ELECTRONICS CORPORATION          IT IS SUBJECT TO CHANGE AND THE CONTROLLING ENGINEERING ORGANIZATION          SHOULD BE CONTACTED FOR THE LATEST REVISION.</small>		DWN E_Haley 11NOV98 CHK S_Hilker 12NOV98 APVD S_Hilker 12NOV98	<b>AMP</b> AMP Incorporated Harrisburg, PA 17105-3608
DIMENSIONS: mm  	TOLERANCES UNLESS OTHERWISE SPECIFIED: 0 PLC ± 1 PLC ±0.5 2 PLC ±0.13 3 PLC ±0.013 4 PLC ±0.0001 ANGLES ± FINISH -	PRODUCT SPEC - APPLICATION SPEC - WEIGHT -	NAME CLEANING CONNECTOR ASSEMBLY LIGHTRAY MPX SIZE CAGE CODE DRAWING NO RESTRICTED TO A2 00779 C-1278386 - CUSTOMER DRAWING SCALE 8:1 SHEET 1 OF 1 REV B

单击下面可查看定价，库存，交付和生命周期等信息

[>>TE Connectivity\(泰科\)](#)