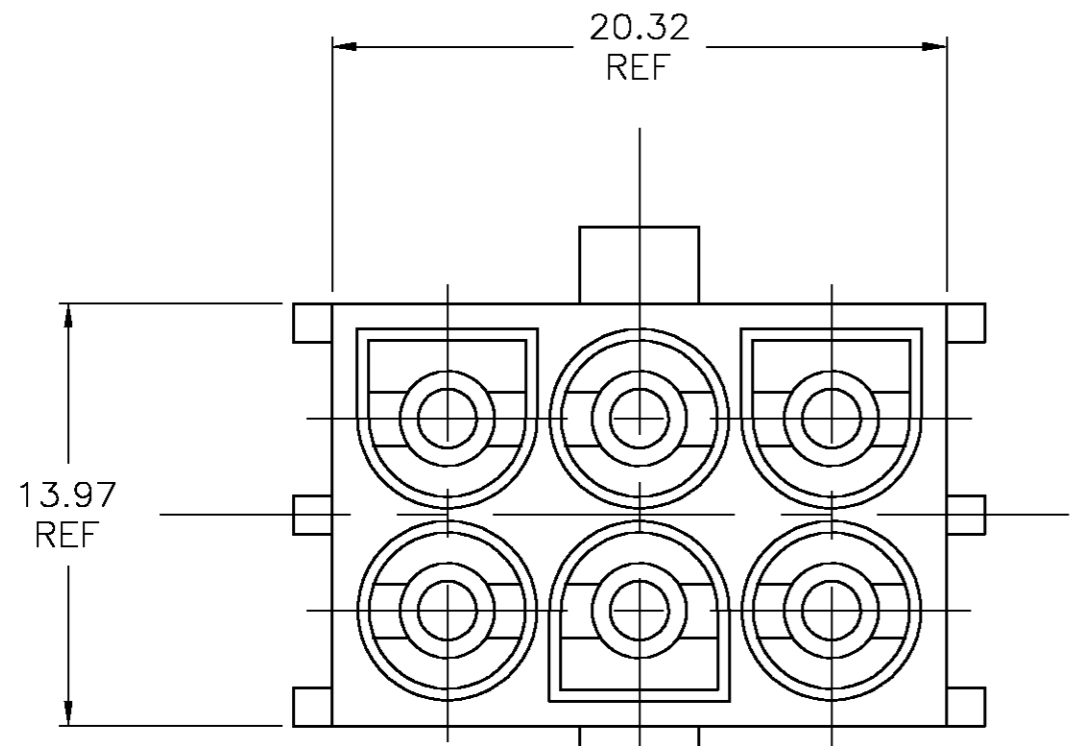


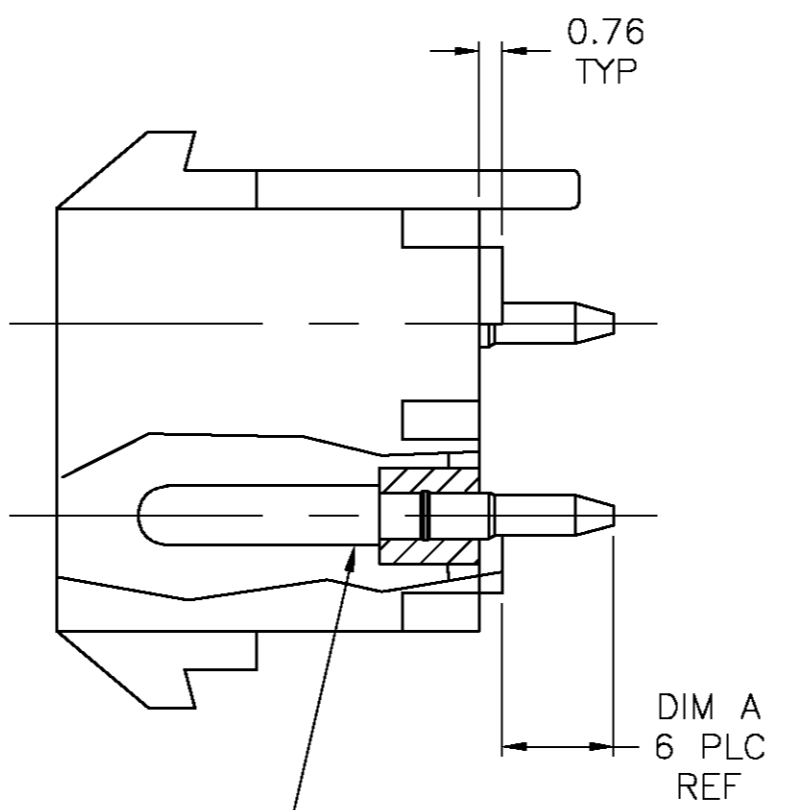
THIS DRAWING IS UNPUBLISHED. RELEASED FOR PUBLICATION
 © COPYRIGHT BY TYCO ELECTRONICS CORPORATION. ALL RIGHTS RESERVED.

LOC	DIST	REVISIONS					
FT	0	P	LTR	DESCRIPTION	DATE	DWN	APVD
		C		REVISED PER 0G3B-0699-03	9/22/03	SS	GS

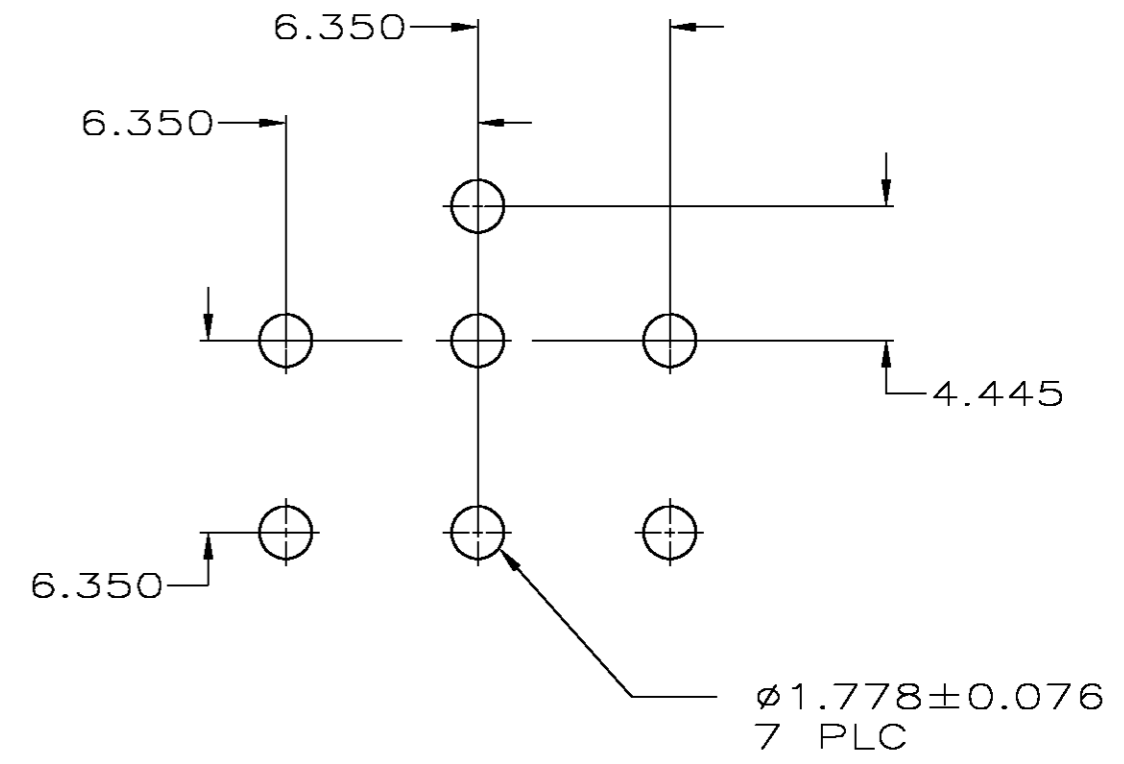
- NOTES:
- MATES WITH MATE-N-LOK II PLUG CONNECTOR USING PN 194211-1 OR 194213-1 SOCKET CONTACTS.
 - PIN CONTACTS ARE LUBRICATED.
 - ALL DIMENSIONS ARE REFERENCE ONLY EXCEPT PC LAYOUT.
- ⚠ PRELIMINARY PART NUMBER.



HOUSING
 MAT'L: NYLON 94V-0



CONTACT
 MAT'L: COPPER ALLOY
 FINISH: 5.8um MIN SILVER
 OVER 1.01um MIN NICKEL



RECOMMENDED LAYOUT FOR
 1.57 THICK PC BOARD

⚠	4.32	194260-2
	3.68	194260-1
	DIM A	PART NO.

THIS DRAWING IS A CONTROLLED DOCUMENT.		DWN	04/AUG/97	Tyco Electronics Corporation	
DIMENSIONS: MM		CHK	R N POLK	Harrisburg, PA 17105	
TOLERANCES UNLESS OTHERWISE SPECIFIED:		APVD		NAME	
0 PLC ± -		PRODUCT SPEC		HIGH CURRENT VERT. PIN HEADER ASSY.	
1 PLC ± -		APPLICATION SPEC		MATE-N-LOK II, 6 CIRCUIT, LUBRICATED	
2 PLC ± -		WEIGHT		SIZE	RESTRICTED TO
3 PLC ± -				A2	
4 PLC ± -				CAGE CODE	DRAWING NO
ANGLES ± -				00779	C=194260
FINISH				SCALE	SHEET 1 OF 1
				4:1	REV C
MATERIAL		CUSTOMER DRAWING			

单击下面可查看定价，库存，交付和生命周期等信息

[>>TE Connectivity\(泰科\)](#)