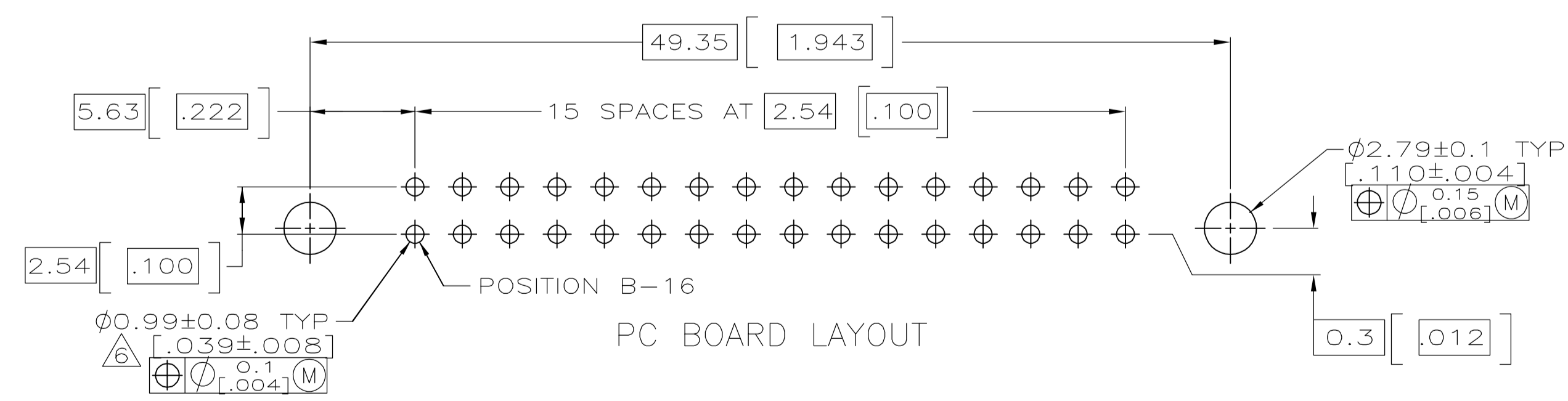
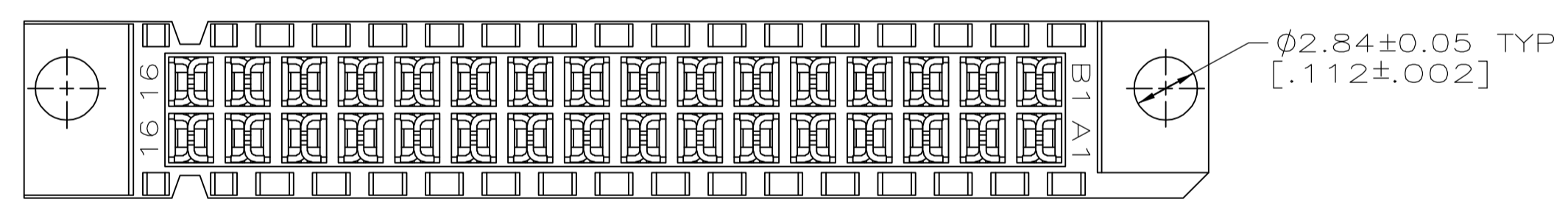
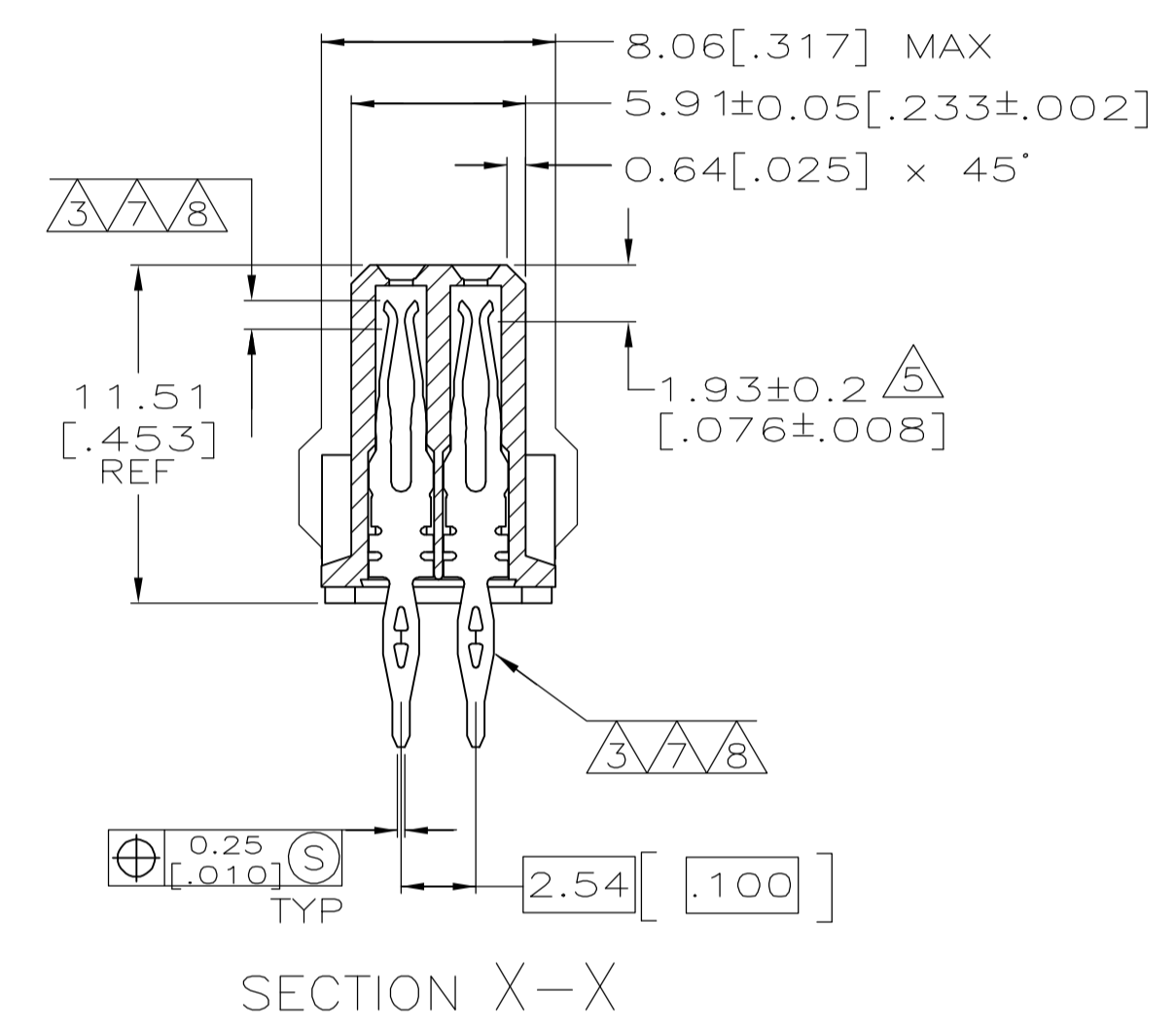
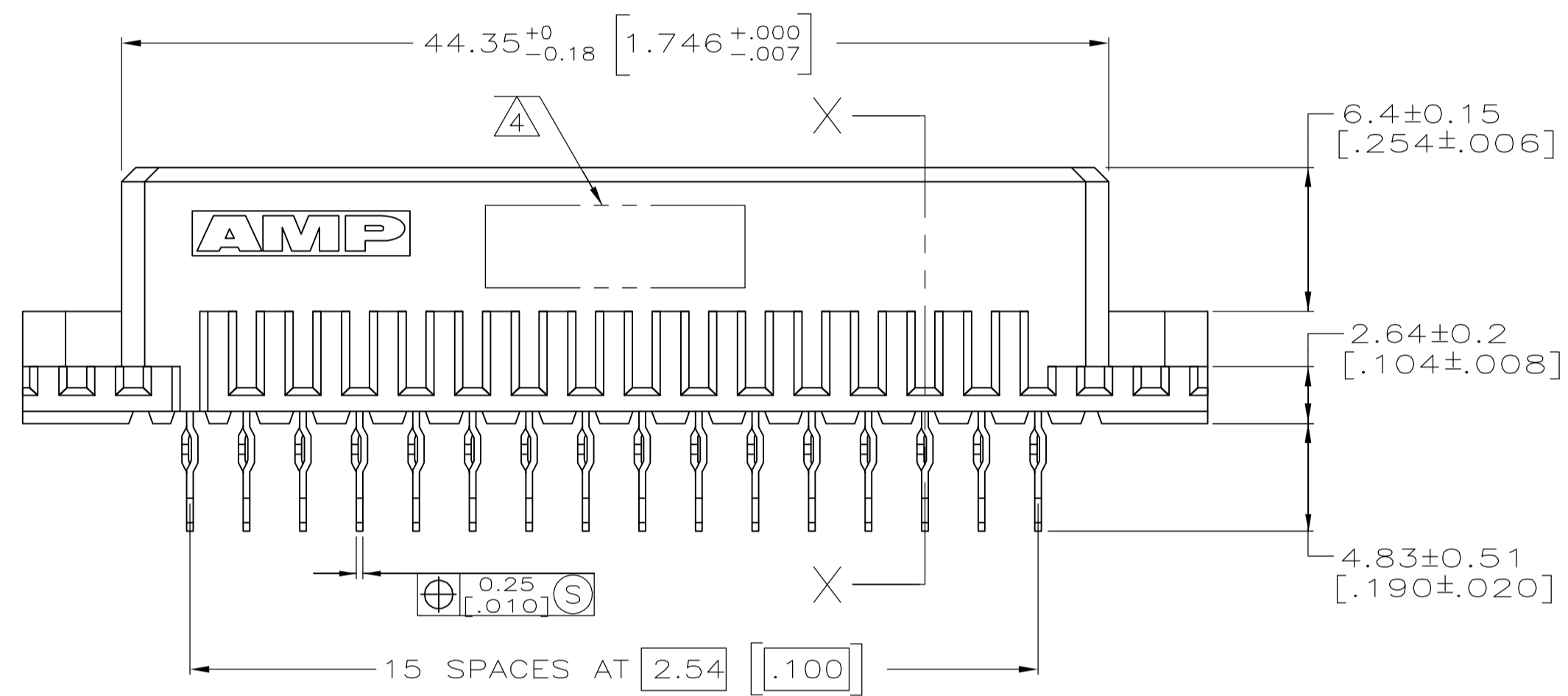
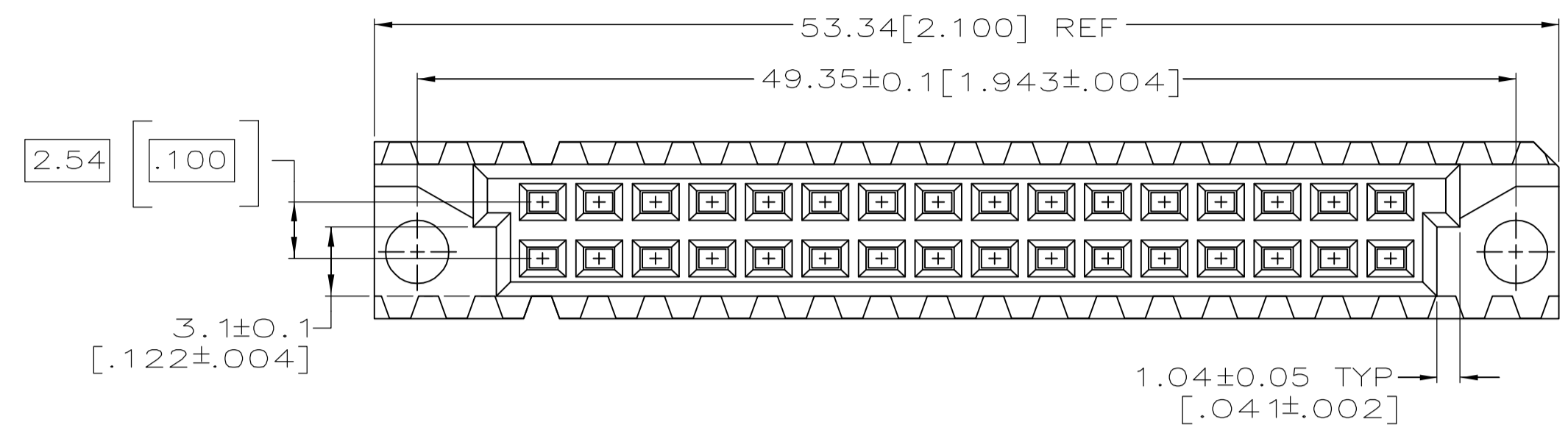


- ① HOUSING MATERIAL: GLASS-FILLED POLYESTER. COLOR: GRAY.
- ② CONTACT MATERIAL: PHOSPHOR BRONZE.
- ③ CONTACT FINISH: DIN 41612 CLASS 2 IN CONTACT AREA. NICKEL UNDERPLATE ALL OVER. TIN-LEAD ON POSTS.
- ④ PART NUMBER, DATE CODE IDENTIFICATION, CSA LOGO IN THIS APPROXIMATE AREA, ON REVERSE SIDE.
- ⑤ POINT OF MEASUREMENT FOR GOLD.
- ⑥ ACTION PIN POSTS REQUIRE 1.57[.062] MINIMUM THICK PC BOARD. RECOMMENDED PC BOARD HOLES ARE $\phi 1.151 \pm 0.02$ [.0453 ± .001] DRILLED HOLES WITH 0.02-0.08 [.001-.003] COPPER AND 0.008 [.0003] MINIMUM TIN-LEAD PLATING. FINISHED HOLES AFTER PLATING, $\phi 0.94-1.09$ [.037-.043].
- ⑦ CONTACT FINISH: DIN 41612 CLASS 3 IN CONTACT AREA. NICKEL UNDERPLATE ALL OVER. TIN-LEAD ON POSTS.
- ⑧ CONTACT FINISH: DIN 41612 CLASS 2 IN CONTACT AREA. NICKEL UNDERPLATE ALL OVER. TIN ON POSTS.



SUPERSEDED BY 5650864-5	⑧	1 THRU 16	X	X	32	7-650864-5
OBSOLETE	⑦	1 THRU 16	X	X	32	650864-9
	③	1 THRU 16	X	X	32	650864-5
SUPERSEDED BY 650864-5	③	1 THRU 16	X	X	32	650864-4
NOTE		POSITIONS LOADED	B	A	NO. OF LOADED POSITION	ASSY PART NUMBER
			ROWS LOADED			

THIS DRAWING IS A CONTROLLED DOCUMENT.

DIMENSIONS: mm [INCHES]	TOLERANCES UNLESS OTHERWISE SPECIFIED:	DRAWN: L. BRINER 6/27/90	CHK: J. BROWN 7/18/90	APVD: K. PARMER 7/19/90	NAME: Tyco Electronics Corporation, Harrisburg, PA 17105-3608
0 PLC ± -	1 PLC ± -	2 PLC ± -	3 PLC ± 0.13 [.005]	4 PLC ± -	ANGLES ± -
MATERIAL: 1 2	FINISH: 3 7 8	SIZE: A1	WEIGHT: -	CAGE CODE: 00779	DRAWING NO: 650864
CUSTOMER DRAWING			SCALE: 4:1	SHEET: 1 OF 1	REV: H

单击下面可查看定价，库存，交付和生命周期等信息

[>>TE Connectivity\(泰科\)](#)