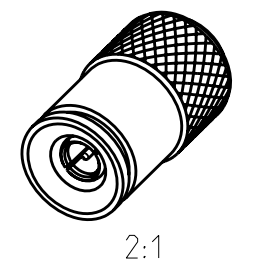
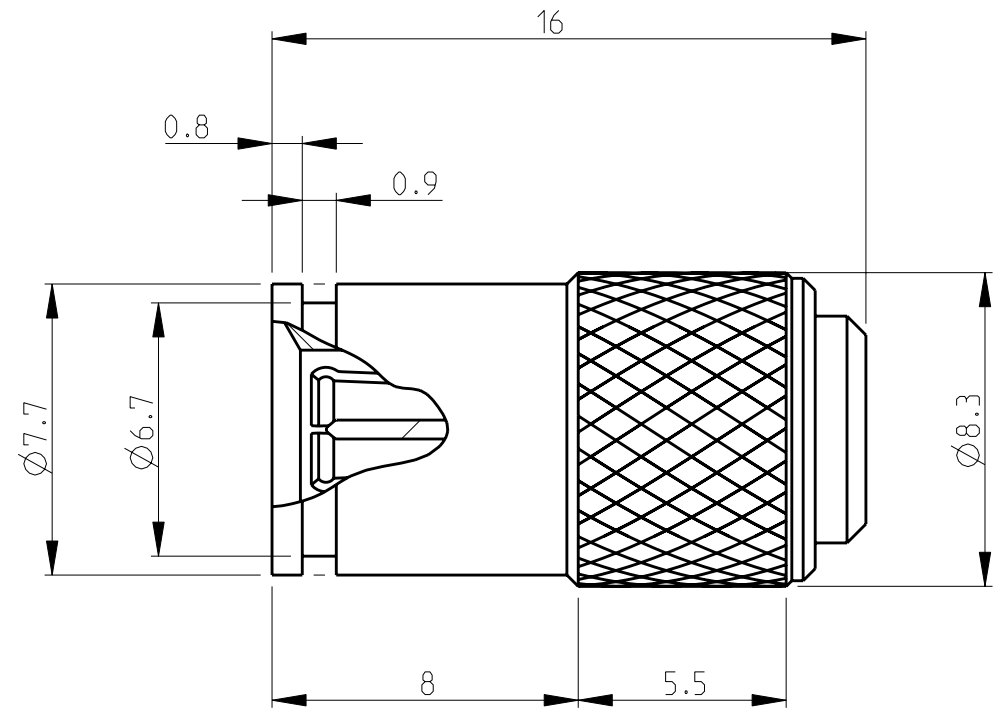


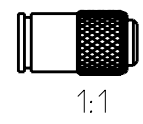
THIS DRAWING IS UNPUBLISHED. RELEASED FOR PUBLICATION 2005
 © COPYRIGHT 2005 BY TYCO ELECTRONICS CORPORATION. ALL RIGHTS RESERVED.

LOC	DIST	REVISIONS			
P	LTR	DESCRIPTION	DATE	DWN	APVD
	A	Update for production	15MAR2006	RLU	DB
	A1	Join correction	16NOV2006	MS	DB
	B	Improved RF Performances, changed body length	16NOV2009	MG	DB



- 1) Dimensions of mating face according to IEC 169-29 and CECC 22230
- 2) DIN ISO 8015 ; DIN ISO 2768-m-H
- 3) ONE PLUG PACKED IN PLASTIC BAG
- 4) 500 PLUGS PACKED IN CARTON BOX

1	1	3	DIELECTRIC	PTFE	-
1	1	2	OUTER CONDUCTOR	Brass	Gold Plated
1	1	1	CENTER CONDUCTOR	CuZn	Gold Plated
5--1	-1	ITEM	DESCRIPTION	MATERIAL	PLATING
4	ORDER N°	3	ORDER N°		



<small>THIS DRAWING IS A CONTROLLED DOCUMENT FOR TYCO ELECTRONICS CORPORATION. IT IS SUBJECT TO CHANGE AND THE CONTROLLING ENGINEERING ORGANIZATION SHOULD BE CONTACTED FOR THE LATEST REVISION.</small>		DWN R.Luppi 23MAR2005 CHK D. Bozzer 23MAR2005 APVD - PRODUCT SPEC 108-71069 APPLICATION SPEC - WEIGHT -	Tyco Electronics tyco Electronics Switzerland - Lugano NAME PUSH PULL PLUG TERMINATOR DIN 1.0-2.3 SERIES
DIMENSIONS: mm 	TOLERANCES UNLESS OTHERWISE SPECIFIED: 0 PLC ± 1 PLC ± 2 PLC ± 3 PLC ± 4 PLC ± ANGLES ±°	SIZE A3 CAGE CODE 00779 DRAWING NO C-619219	RESTRICTED TO - SCALE 5:1 SHEET 1 OF 1 REV B
MATERIAL -	FINISH -	CUSTOMER DRAWING	

单击下面可查看定价，库存，交付和生命周期等信息

[>>TE Connectivity\(泰科\)](#)