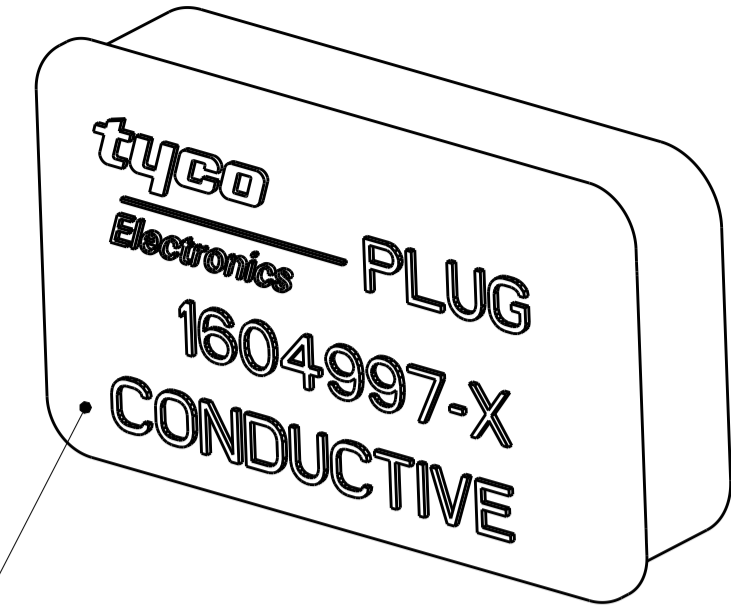
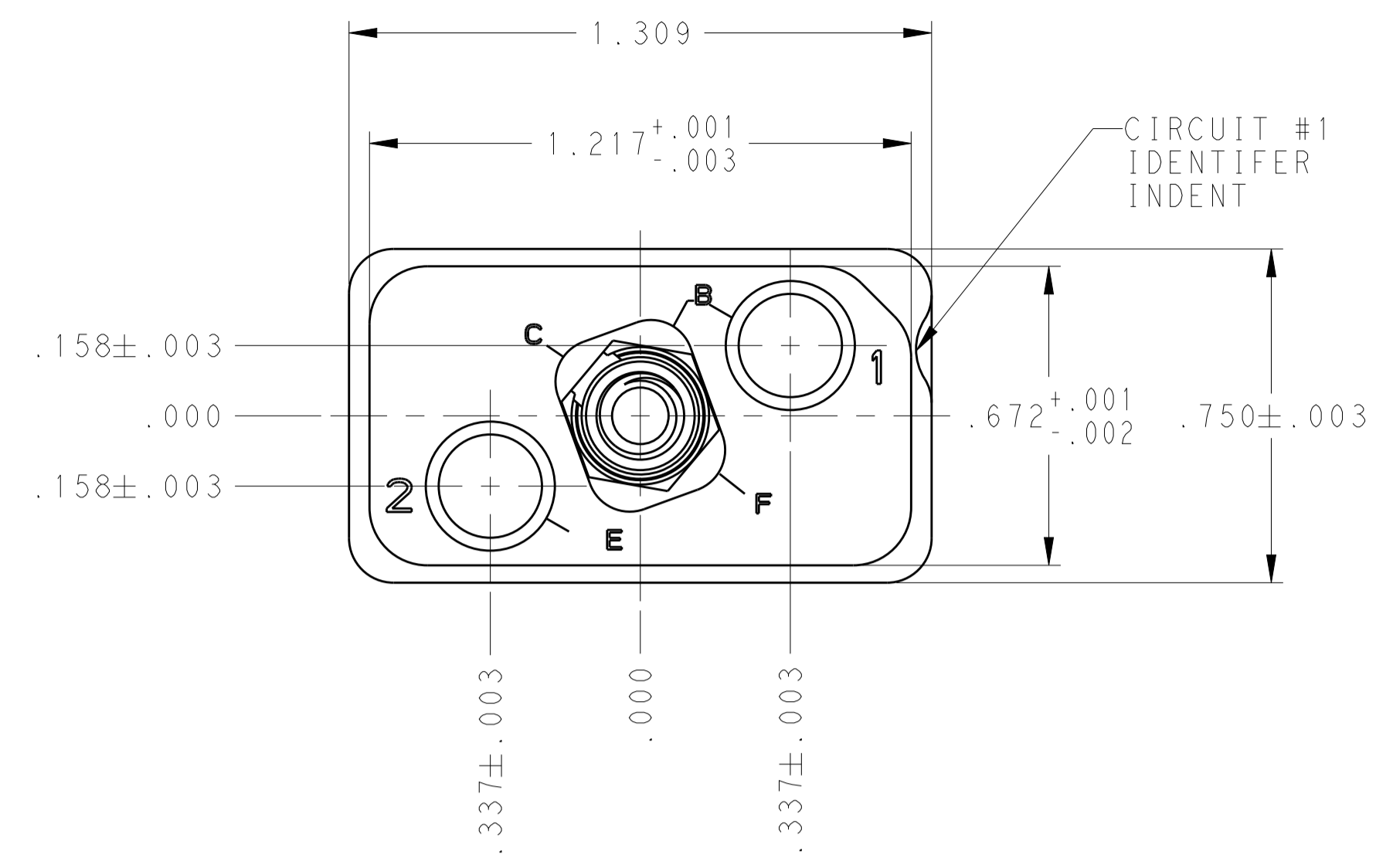
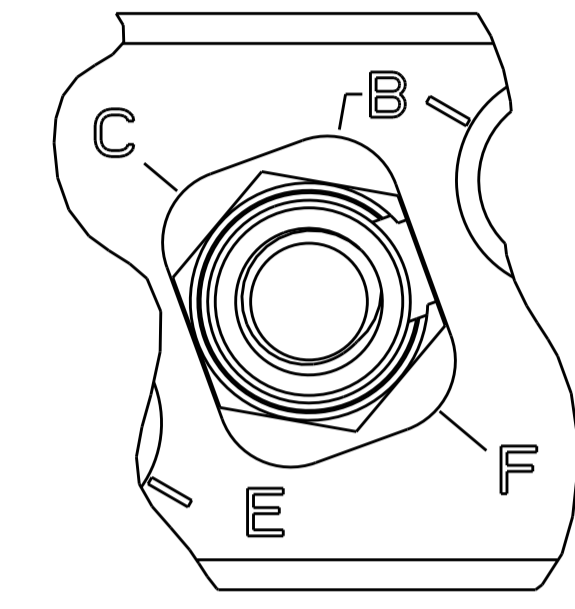


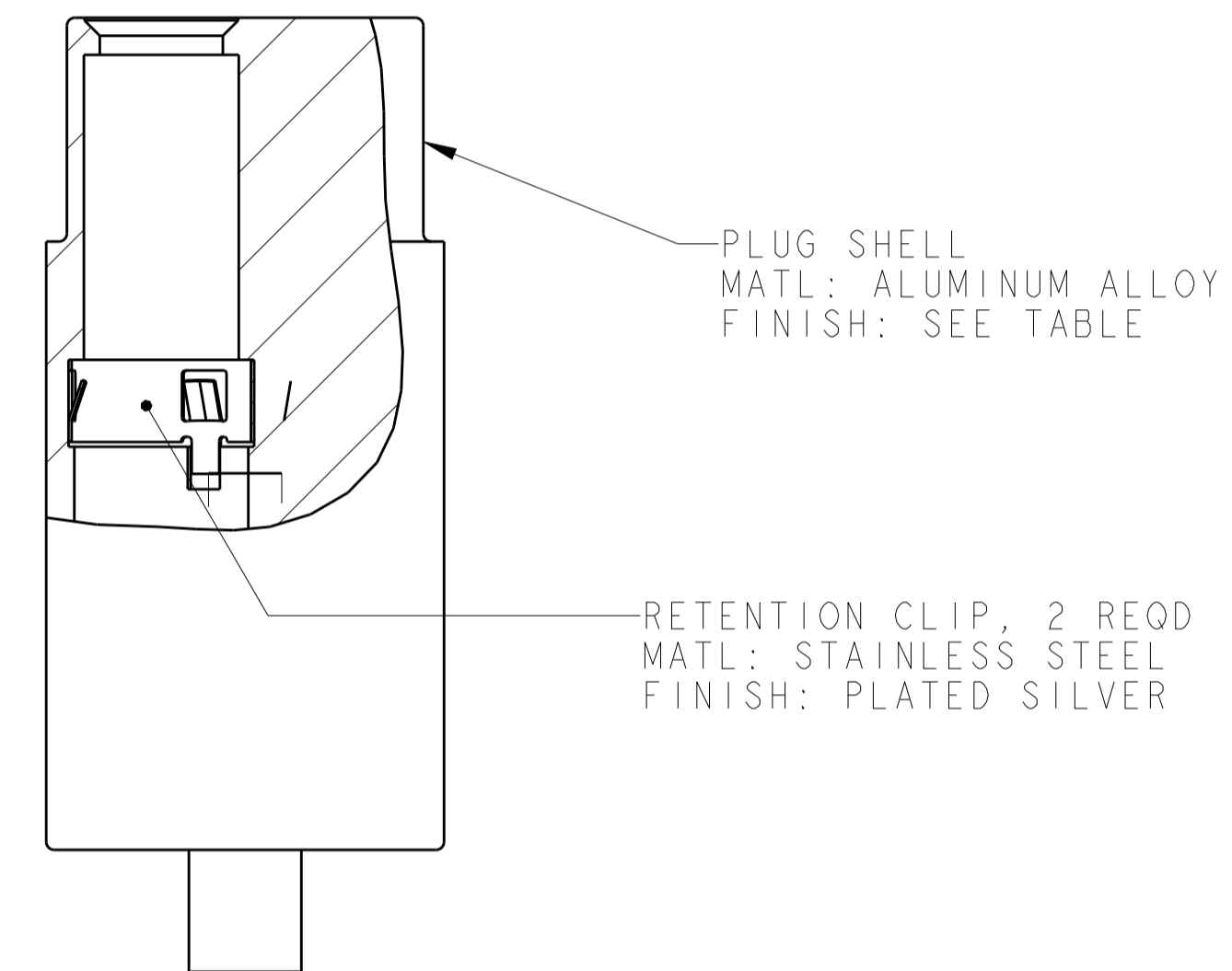
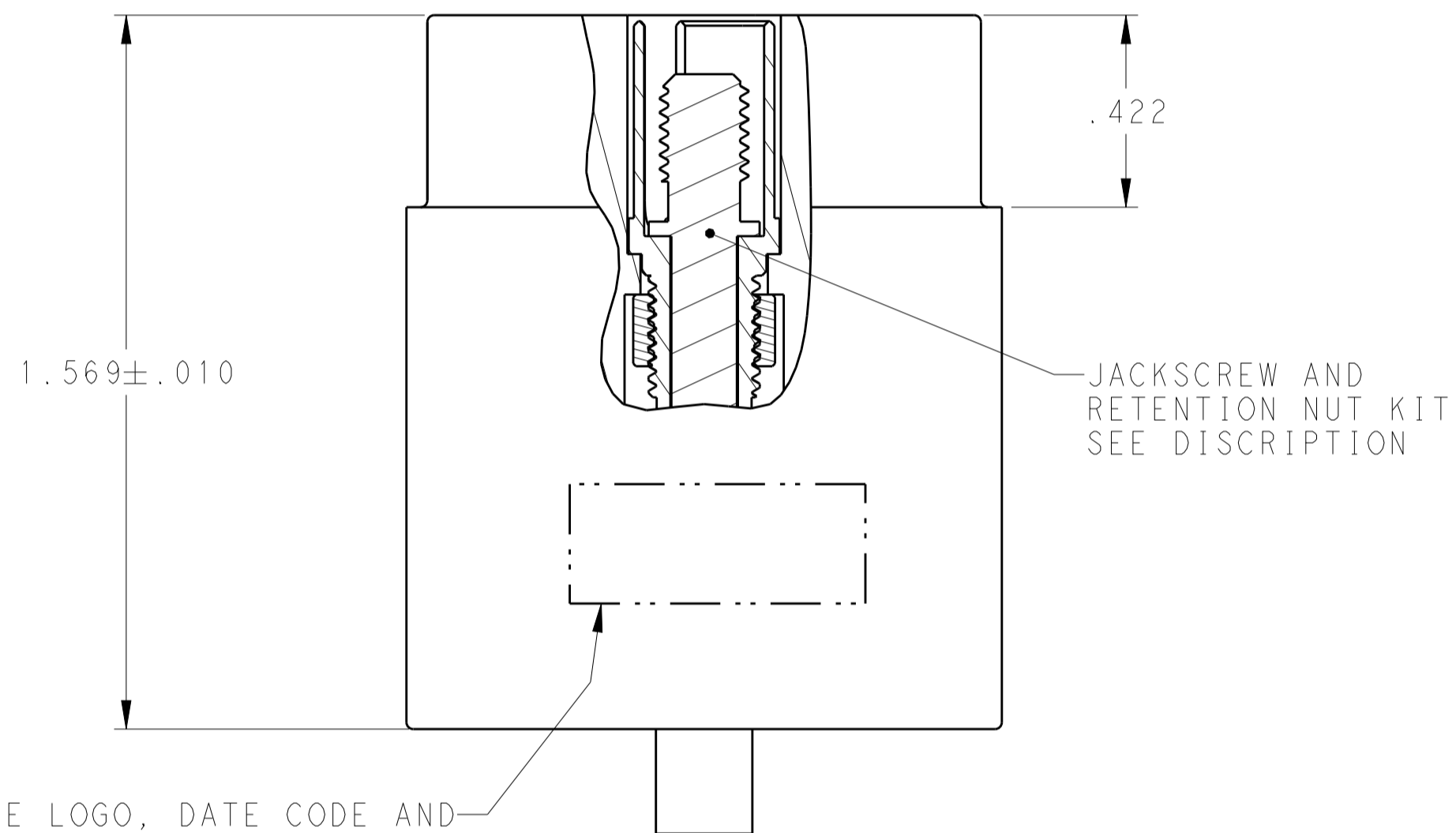
LOC		DIST		REVISIONS			
P	LTN	DESCRIPTION	DATE	DWN	APVD		
H		REV PER ECO 13-008491	6-3-13	CT	DM		



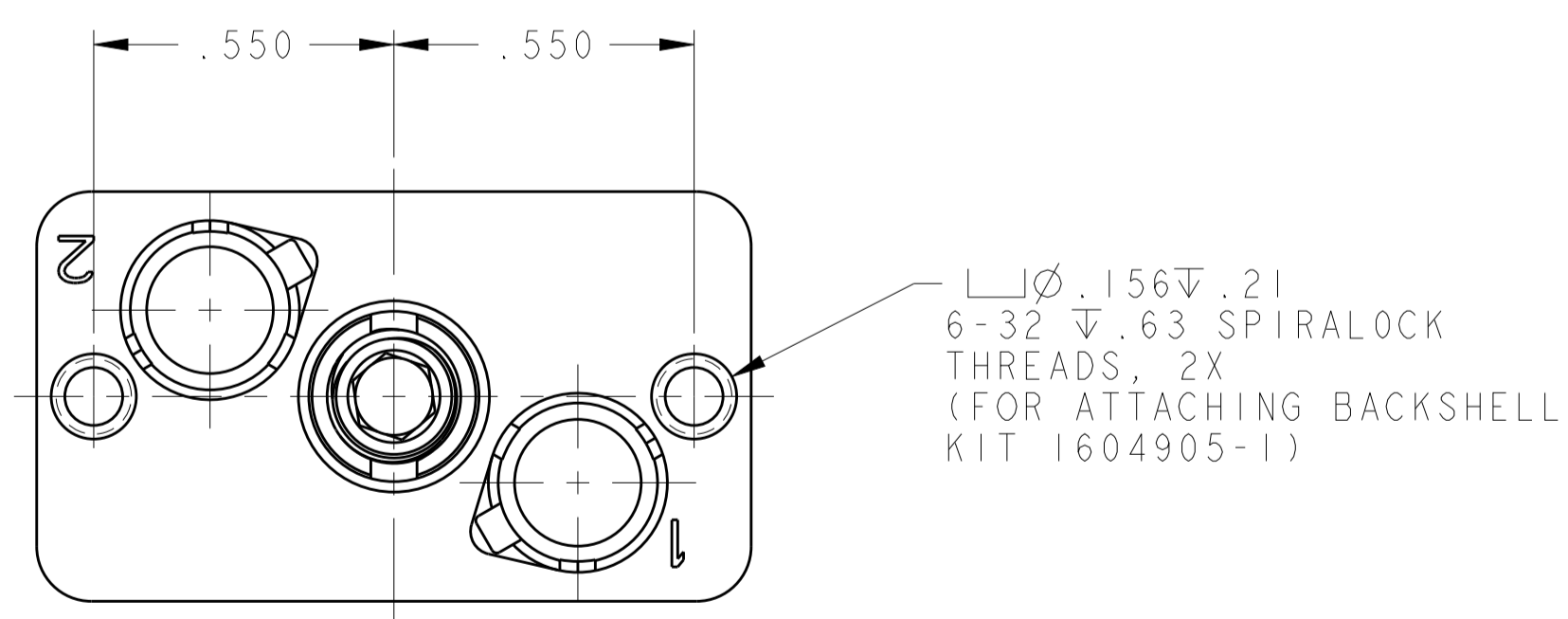
ESD DUST COVER; INSTALLED ON ALL DASH NUMBERS



PLZN CODE A SHOWN FOR REFERENCE SCALE 4:1



TE LOGO, DATE CODE AND EITHER CUSTOMER OR TE PART NUMBER (PER TABLE) MARKED APPROX AS SHOWN ON NEAR OR FAR SIDE)



1445693-4	ELECTROLESS NICKEL	BACC65BC2N	WITH JACKSCREW-RETENTION NUT KIT (FLAT POLARIZATION)	1604898-9
1445693-4	ELECTROLESS NICKEL	BACC65BC2NC	JACKSCREW ASSEMBLED PLZN CODE C	1604898-8
1445693-4	ELECTROLESS NICKEL	BACC65BC2NB	JACKSCREW ASSEMBLED PLZN CODE B	1604898-7
1445693-3	ELECTROLESS NICKEL	---	JACKSCREW ASSEMBLED PLZN CODE A	1604898-6
1445693-3	ELECTROLESS NICKEL	---	WITH JACKSCREW-RETENTION NUT KIT (FLAT POLARIZATION)	1604898-5
1445693-4	BLACK ANODIZED	BACC65BC2A	WITH JACKSCREW-RETENTION NUT KIT (FLAT POLARIZATION)	1604898-4
1445693-2	---	---	WITH JACKSCREW-RETENTION NUT KIT (FLAT POLARIZATION)	1604898-2
RECOMMENDED CONTACT WITH WIRE SEAL	SHELL FINISH	BOEING PART NUMBER	DESCRIPTION	PART NO.

OBSELETE

SUPERSEDED BY 1604898-5

⚠ JACKSCREW-RETENTION NUT KIT IS UNASSEMBLED TO CONNECTOR ASSY. KIT IS PACKAGED IN SEALED BAG.

2. 1604898-5 THRU -9 HOUSING CONFIGURATION (ONE PIECE) SHOWN.

THIS DRAWING IS A CONTROLLED DOCUMENT. DWN: Brent D. Toth, 06OCT2004; CHK: W.H.BERNHART, 06OCT2004; APVD: W.H.BERNHART, 06OCT2004.

TE Connectivity

PLUG ASSEMBLY, QUADRAX, FREE HANGING, RR/RR, 2 POSITION

SIZE: A1, CAGE CODE: 100779, DRAWING NO: 1604898, SHEET 1 OF 1, REV H

单击下面可查看定价，库存，交付和生命周期等信息

[>>TE Connectivity\(泰科\)](#)