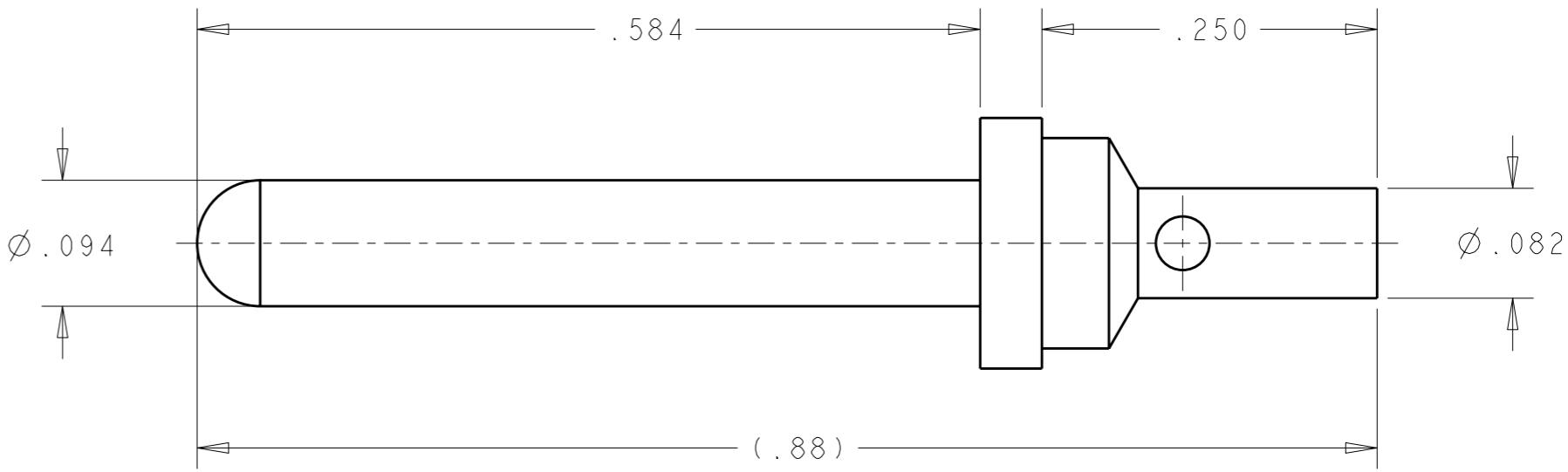
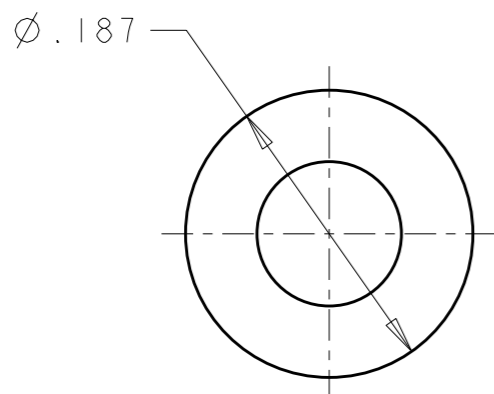


THIS DRAWING IS UNPUBLISHED. RELEASED FOR PUBLICATION 20  
 © COPYRIGHT 20 BY TYCO ELECTRONICS CORPORATION. ALL RIGHTS RESERVED.

LOC	DIST	REVISIONS			
P	LTR	DESCRIPTION	DATE	DWN	APVD
GP	00	A	RELEASED	19FEB2009	RG DO



1. PART NUMBER CHANGES AND/OR DESIGN CHANGES AFFECTING ITEM INTERCHANGEABILITY REQUIRES PRIOR TYCO ELECTRONICS APPROVAL AND AUTHORIZATION BY REVISION TO THIS DRAWING.

2 MATERIAL:  
 BODY: COPPER ALLOY

3 FINISH:  
 BODY: SILVER PLATE .000200 MIN THK.  
 OVER NICKEL .000040 MIN THK.

4. ITEMS PROVIDED TO THIS SPECIFICATION TO BE PERMANENTLY IDENTIFIED ON THE CONTAINER PER THE FOLLOWING IDENTIFIER:

AS SHOWN	1766188-1
DESCRIPTION	PART NUMBER

TYCO ELECTRONICS P/N  
 XXXXXXXX-X

DATE CODE (eg. 0216)  
 YEAR    WEEK     
 XXXX

THIS DRAWING IS A CONTROLLED DOCUMENT FOR TYCO ELECTRONICS CORPORATION. IT IS SUBJECT TO CHANGE AND THE CONTROLLING ENGINEERING ORGANIZATION SHOULD BE CONTACTED FOR THE LATEST REVISION.

DIMENSIONS: INCHES	TOLERANCES UNLESS OTHERWISE SPECIFIED:
	0 PLC ±-
	1 PLC ±-
	2 PLC ±.01
	3 PLC ±.005
	4 PLC ±-
	ANGLES ±-
MATERIAL -	FINISH -

DWN	19FEB2009
R. GRZYBOWSKI	
CHK	19FEB2009
D. ORRIS	
APVD	19FEB2009
M. PERCHERKE	
PRODUCT SPEC	-
APPLICATION SPEC	-
WEIGHT	-
CUSTOMER DRAWING	

		Tyco Electronics Harrisburg, PA 17105-3608	
NAME PIN CONTACT, SIZE No. 12 WITH SIZE No. 18 AWG CRIMP BARREL DRAWER			
SIZE	CAGE CODE	DRAWING NO	RESTRICTED TO
A3	00779	C-1766188	-
SCALE 8:1		SHEET	OF
		REV	A

单击下面可查看定价，库存，交付和生命周期等信息

[>>TE Connectivity\(泰科\)](#)