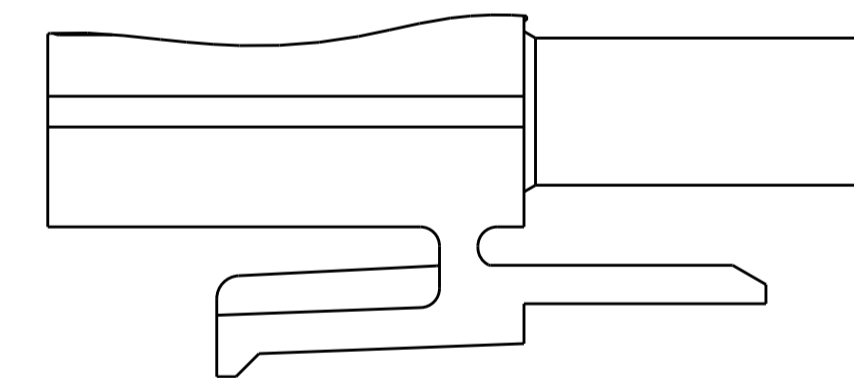
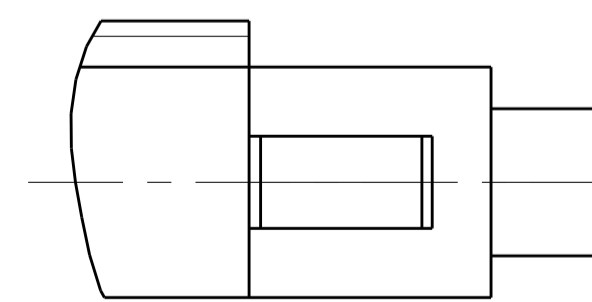


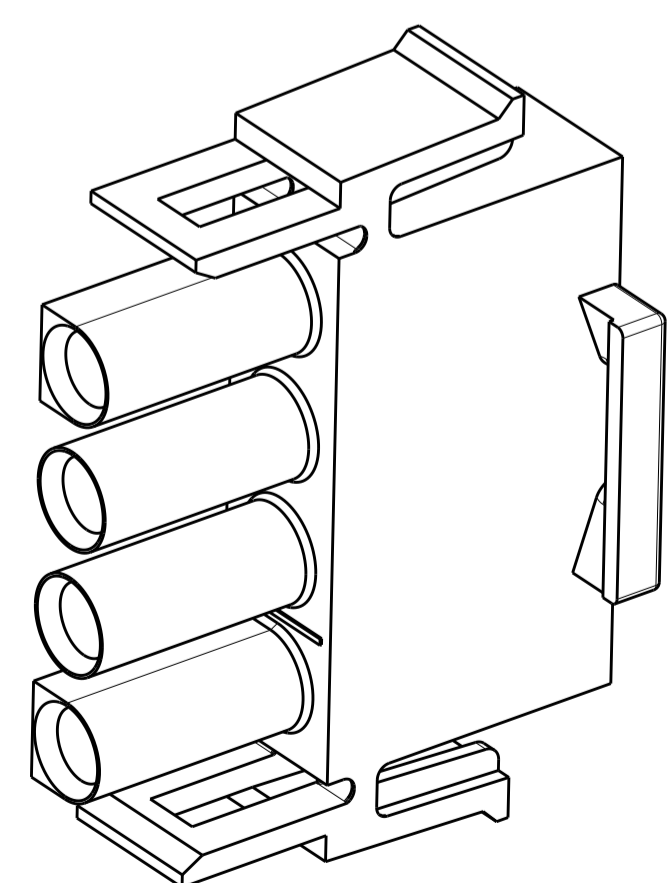
DETAIL A
OPTIONAL CONSTRUCTION



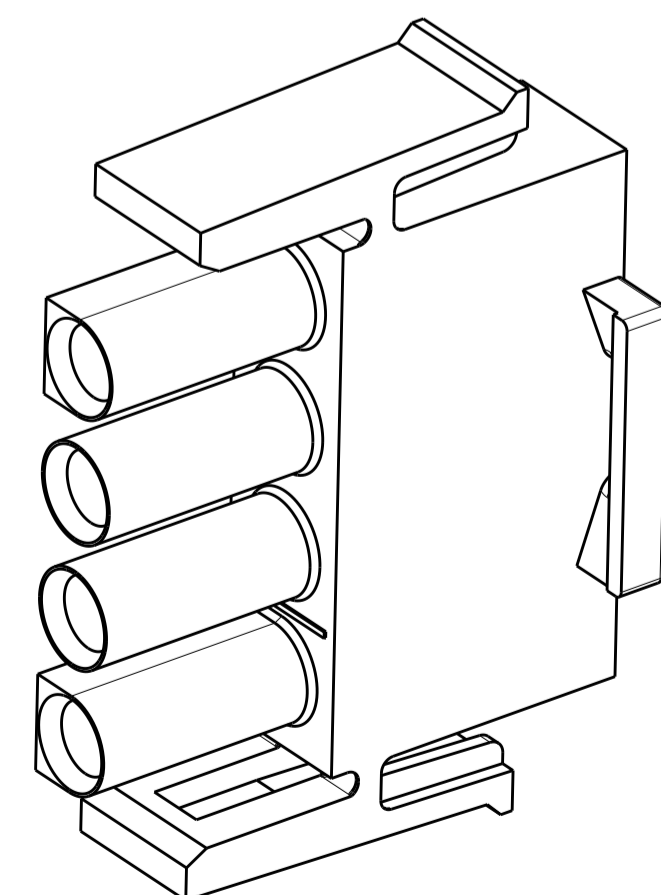
DETAIL B
350779-4 ONLY



DETAIL C
350779-4 ONLY



350779-4



| REVISIONS | | | | |
|-----------|-----|---------------------------|-----------|--------|
| P. | LTN | DESCRIPTION | DATE | APVD |
| AB7 | | REDRAWN PER ECO-19-005708 | 14MAY2019 | BKW SF |
| | | | | |
| | | | | |

- MATES WITH APPROPRIATE UNIVERSAL MATE-N-LOCK™ CAP OR HEADER.
 - SMALL NICKS ARE PERMITTED ON THE CIRCUIT TOWERS WHICH COULD INCREASE THE INITIAL HOUSING MATING FORCE BY UP TO 4.4 NEWTONS (1.0 LBS.). NO INDIVIDUAL NICKED TOWER SHALL INCREASE THIS FORCE BY OVER 2.2 NEWTONS (.5 LBS.).
 - DIMENSIONS SHOWN REPRESENT PRODUCT IN DRY, AS MOLDED, CONDITION. ADDITIONAL 2% GROWTH DUE TO SUBSEQUENT MOISTURE ABSORPTION MAY OCCUR AND SHOULD BE ACCOUNTED FOR.
- △ 4 FOUR RIBS EQUALLY SPACED, NO SPECIFIC ORIENTATION. NO RIBS OR SIX RIBS EQUALLY SPACED, NO SPECIFIC ORIENTATION, OPTIONAL.
 - △ 5 NOT MANUFACTURED IN THE U.S.
 - △ 6 UNDERWRITERS RECOGNIZED COMPONENT LOGO AND CSA CERTIFICATION LOGO TO BE LOCATED ONCE ON ANY SIDE OF HOUSING.
 - △ 7 MATERIAL CORRESPONDING TO THE REQUIREMENT OF IEC60335-1 (INCL. GWT 750°C WITHOUT FLAME)
 - △ 8 SHOWN FOR CONVENIENCE: AMP OR TE LOGO MAY BE ON ANY EXTERNAL SURFACE.

| | |
|-----------|-------------|
| △ NATURAL | 350779-5 |
| BLACK | 1-350779-9 |
| GRAY | 1-350779-8 |
| BLUE | 1-350779-6 |
| GREEN | 1-350779-5 |
| YELLOW | 1-350779-4 |
| ORANGE | 1-350779-3 |
| RED | 1-350779-2 |
| BROWN | 1-350779-1 |
| △ 5 | 350779-4 |
| NATURAL | 350779-1 |
| COLOR | PART NUMBER |

| | | | |
|--|-------|-----------------------------|--|
| THIS DRAWING IS A CONTROLLED DOCUMENT. | | OWN: B. WEAVER 14MAY2019 | TE Connectivity |
| DIMENSIONS: mm | | CHK: S. FERNANDES 14MAY2019 | |
| TOLERANCES UNLESS OTHERWISE SPECIFIED: | | APVD: T. BENCHOFF 14MAY2019 | NAME: PLUG, 4 CIRCUIT, UNIVERSAL MATE-N-LOCK |
| 0 PLC | ± | PRODUCT SPEC | SIZE: CAGE CODE DRAWING NO |
| 1 PLC | ±0.4 | APPLICATION SPEC | RESTRICTED TO |
| 2 PLC | ±0.20 | WEIGHT | A 00779 C=350779 |
| 3 PLC | ± | CUSTOMER DRAWING | SCALE 4:1 SHEET 1 OF 1 REV AB7 |
| 4 PLC | ± | | |
| ANGLES | ± | | |
| FINISH | ± | | |
| MATERIAL: NYLON 94V-0 | | | |

单击下面可查看定价，库存，交付和生命周期等信息

[>>TE Connectivity\(泰科\)](#)