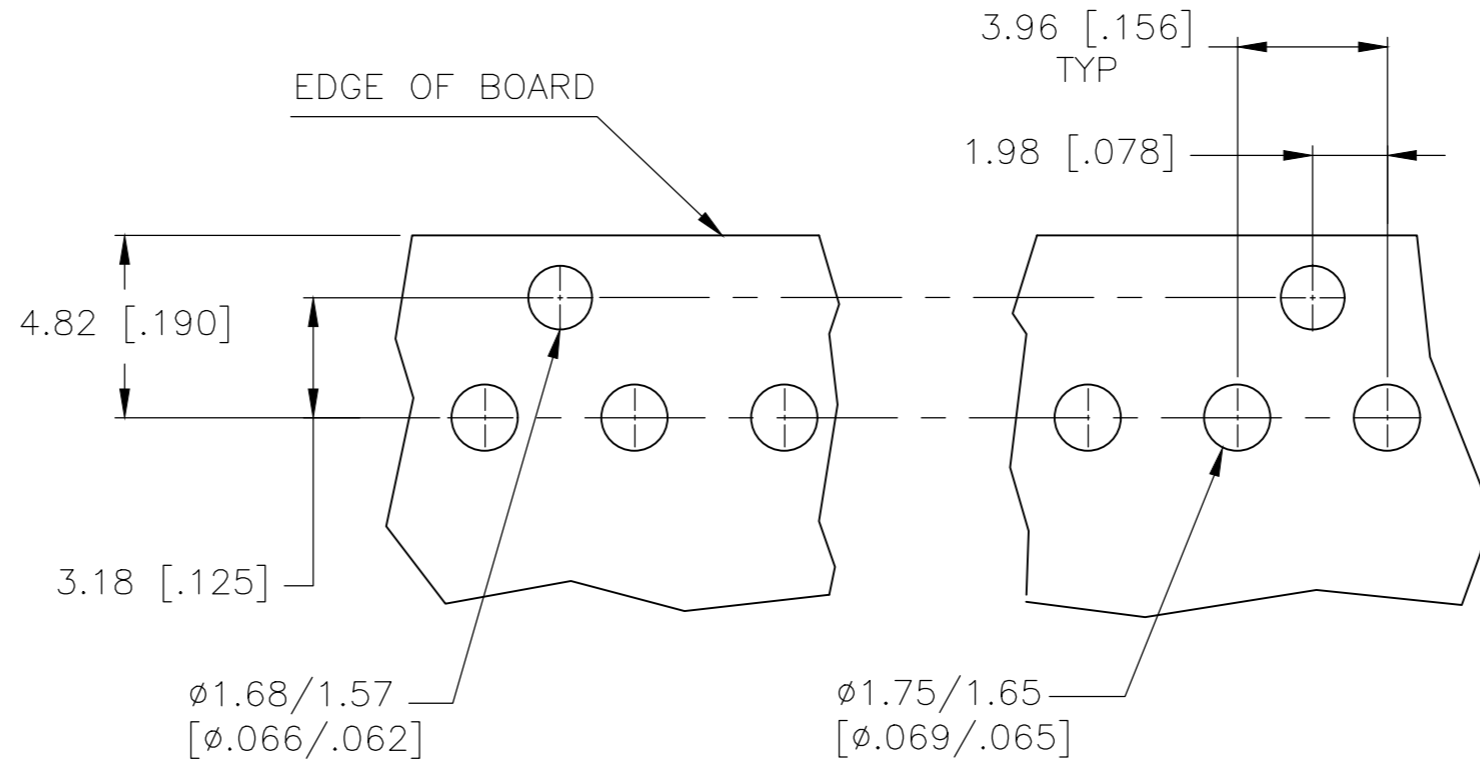
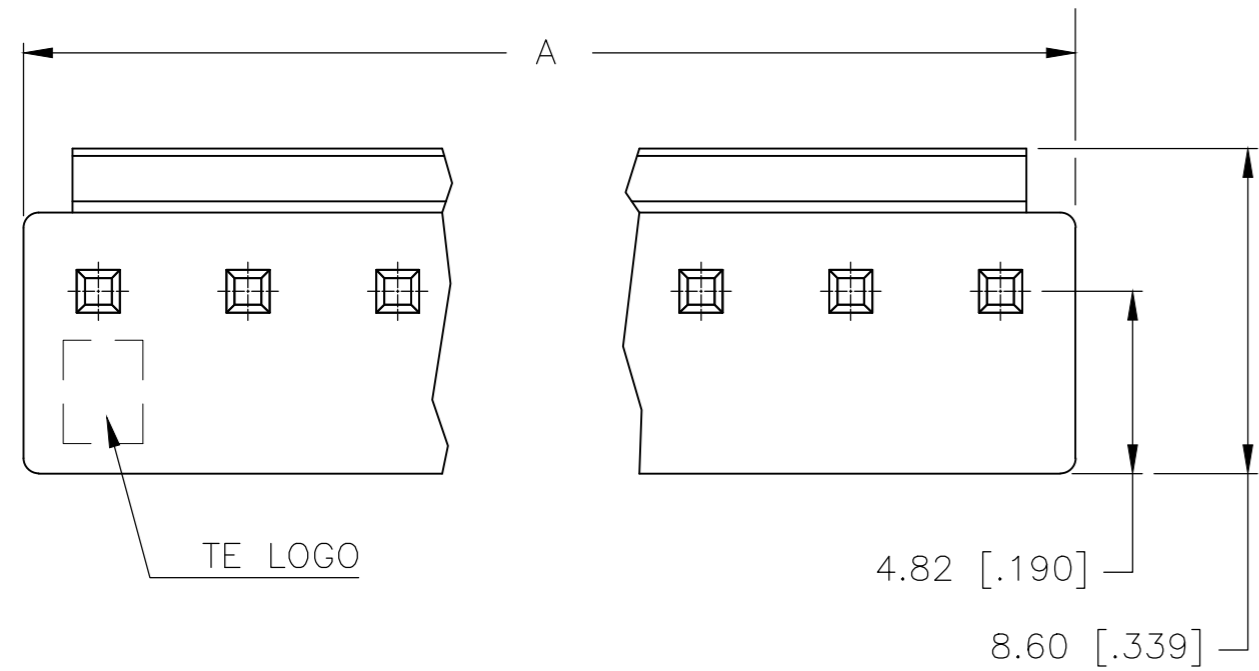


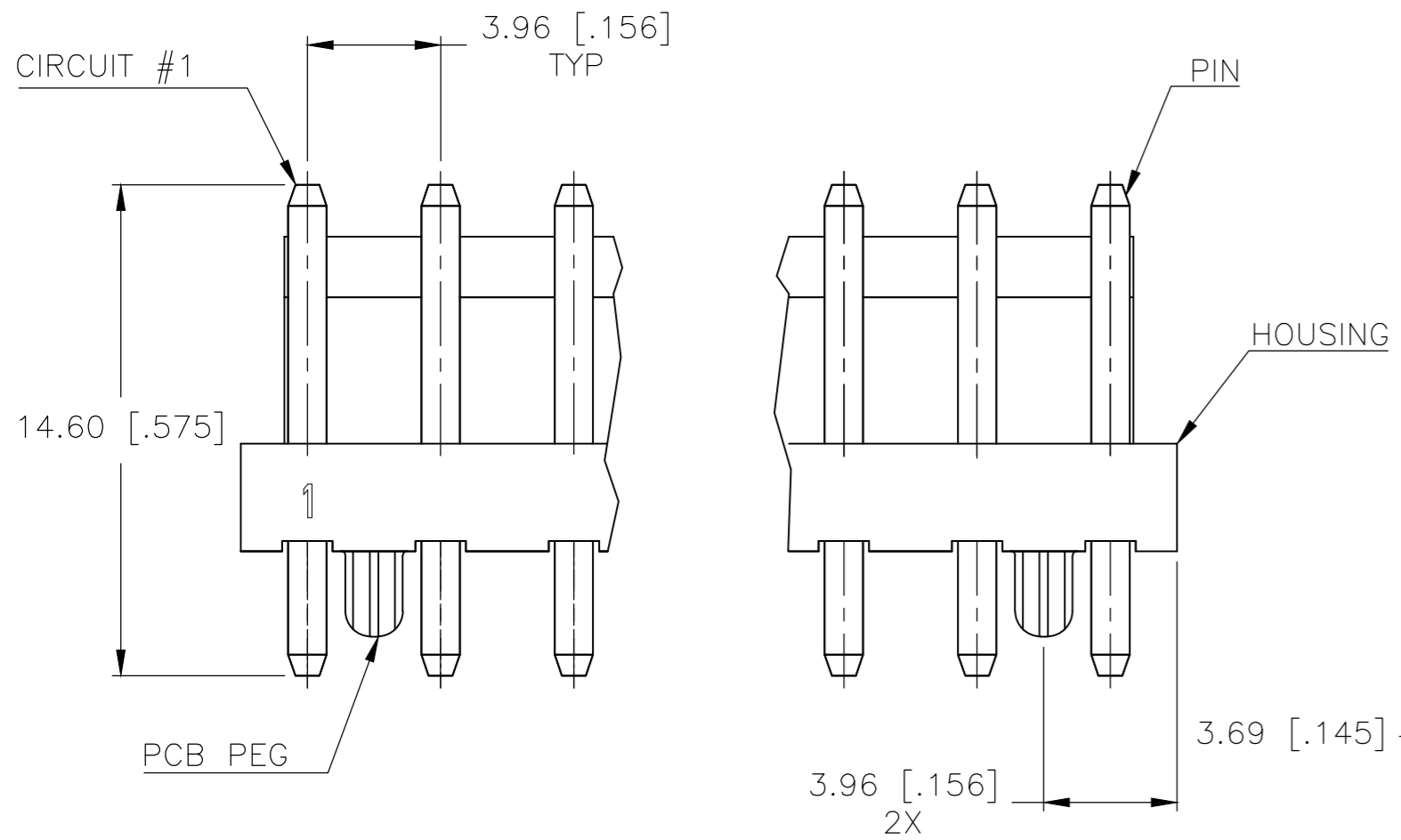
THIS DRAWING IS UNPUBLISHED. RELEASED FOR PUBLICATION
 © COPYRIGHT By - ALL RIGHTS RESERVED.

REVISIONS				
P	LTR	DESCRIPTION	DATE	APVD
D1		REVISED PER ECR-20-100585	20OCT2020	S.K D.Z

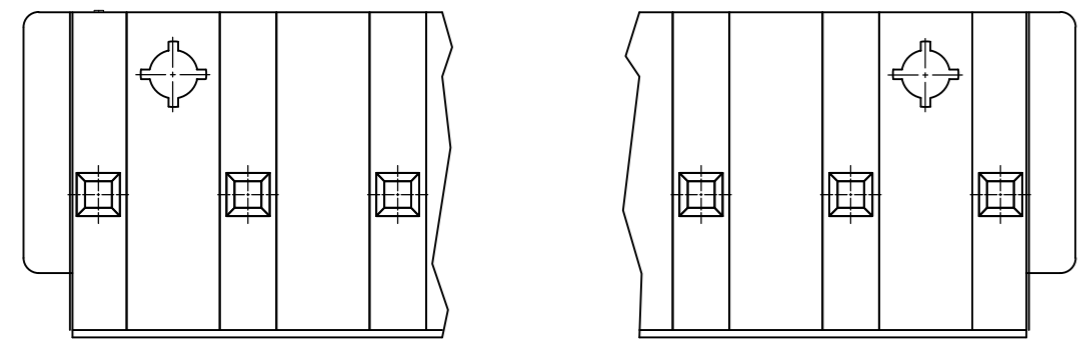


RECOMMENDED MOUNTING HOLE PATTERN FOR 1.60 [.063] THICK PC BOARD

- HOUSING MATERIAL: NYLON, UL94 V0.
 - PIN MATERIAL: BRASS.
 - PIN PLATING: 0.003 [.000120] MIN TIN OVER 0.001 [.000039] MIN NICKEL.
 - 2 POSITION HAS 1 PEG, ALL OTHERS HAVE 2 PEGS.
 - PARTS MEETS IEC 60335-1 GWT (GLOW WIRE TEST) 750°C SPEC.
 - SKETCHES SHOW NO PINS MISSING.
- △ "O" WITH PIN
"X" WITHOUT PIN.



PIN POSITIONS									NO. OF POSITIONS	COLOR	mm	IN	PART NUMBER
O	X	O	X	O	X	O			7	NATURAL	27.72	[1.091]	1-1744429-7
O	X	O	O	X	O				6	NATURAL	23.76	[0.935]	2-1744429-6
O	O	X	O	O	O	O	O	O	9	NATURAL	35.64	[1.403]	1-1744429-9
O	O	X	O	O	O				6	NATURAL	23.76	[0.935]	1-1744429-6
O	X	O	O						4	NATURAL	15.84	[0.624]	1-1744429-4
O	X	O	X	O					5	NATURAL	19.80	[0.780]	1-1744429-5
O	X	O							3	NATURAL	11.88	[0.468]	1-1744429-3
O	O	O	O	O	O	O	O	O	9	NATURAL	35.64	[1.403]	1744429-9
O	O	O	O	O	O	O			8	NATURAL	31.68	[1.247]	1744429-8
O	O	O	O	O	O	O			7	NATURAL	27.72	[1.091]	1744429-7
O	O	O	O	O	O				6	NATURAL	23.76	[0.935]	1744429-6
O	O	O	O	O					5	NATURAL	19.80	[0.780]	1744429-5
O	O	O	O						4	NATURAL	15.84	[0.624]	1744429-4
O	O	O							3	NATURAL	11.88	[0.468]	1744429-3
O	O								2	NATURAL	7.92	[0.312]	1744429-2



THIS DRAWING IS A CONTROLLED DOCUMENT.

DWN JR RUTH 09JAN12
 CHK SAM MACE 09JAN12
 APVD SAM MACE 09JAN12

DIMENSIONS: mm [INCHES]

TOLERANCES UNLESS OTHERWISE SPECIFIED:

0 PLC	±
1 PLC	± 0.5 [.020]
2 PLC	± 0.30 [.012]
3 PLC	± -
4 PLC	± -
ANGLES	±
FINISH	±

MATERIAL SEE NOTES

PRODUCT SPEC 108-5609

APPLICATION SPEC

WEIGHT

CUSTOMER DRAWING

NAME: HEADER ASSEMBLY-ECONOMY POWER VERTICAL, W/RETENTION PEGS

SIZE: A2 CAGE CODE: 00779 DRAWING NO: 1744429 RESTRICTED TO: -

SCALE: 5:1 SHEET: 1 OF 1 REV: D1

单击下面可查看定价，库存，交付和生命周期等信息

[>>TE Connectivity\(泰科\)](#)