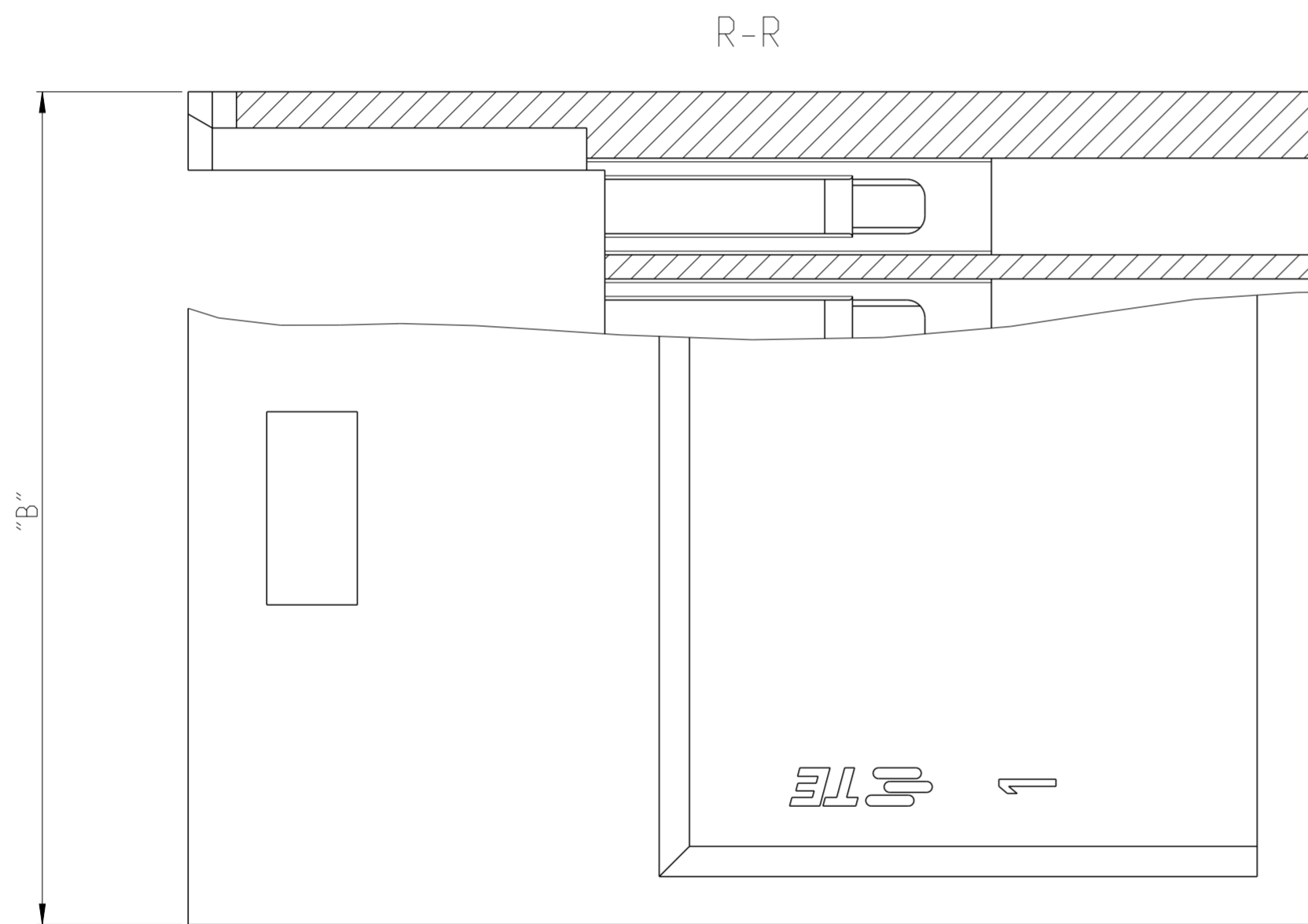
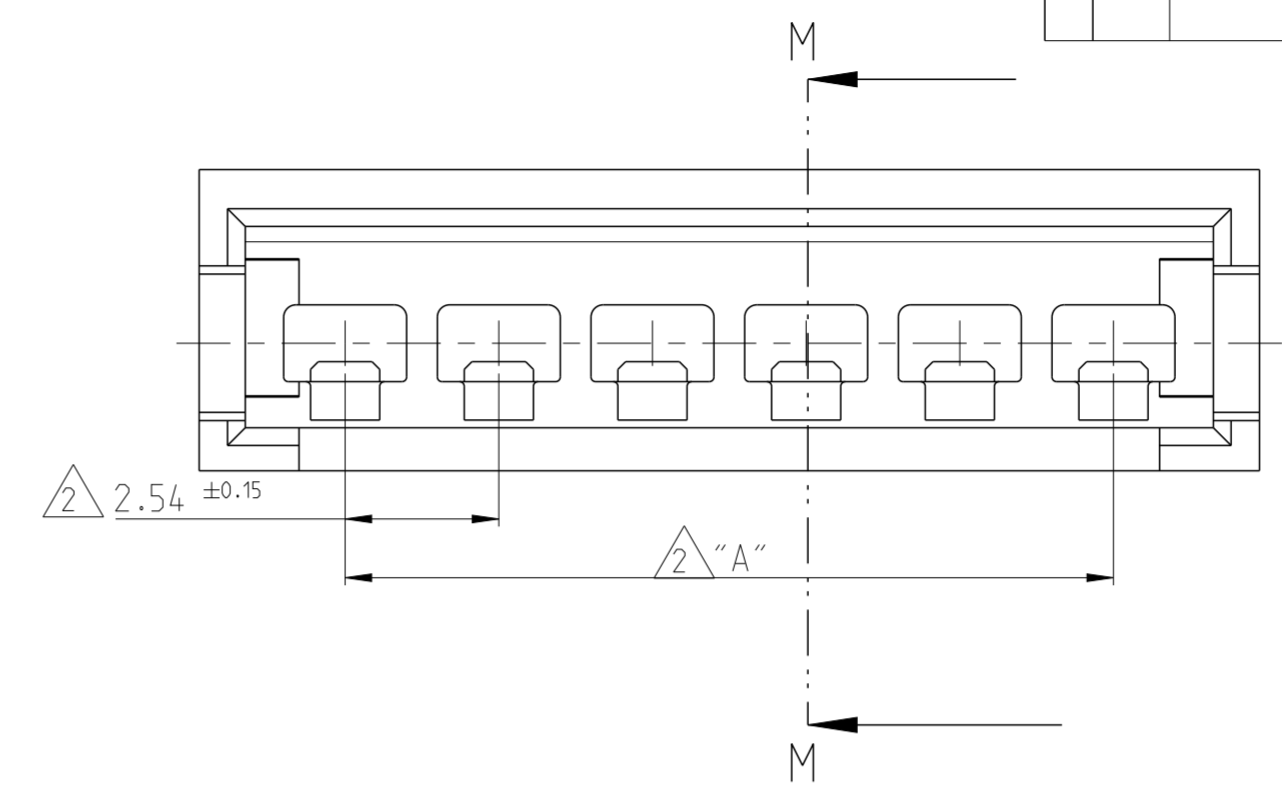
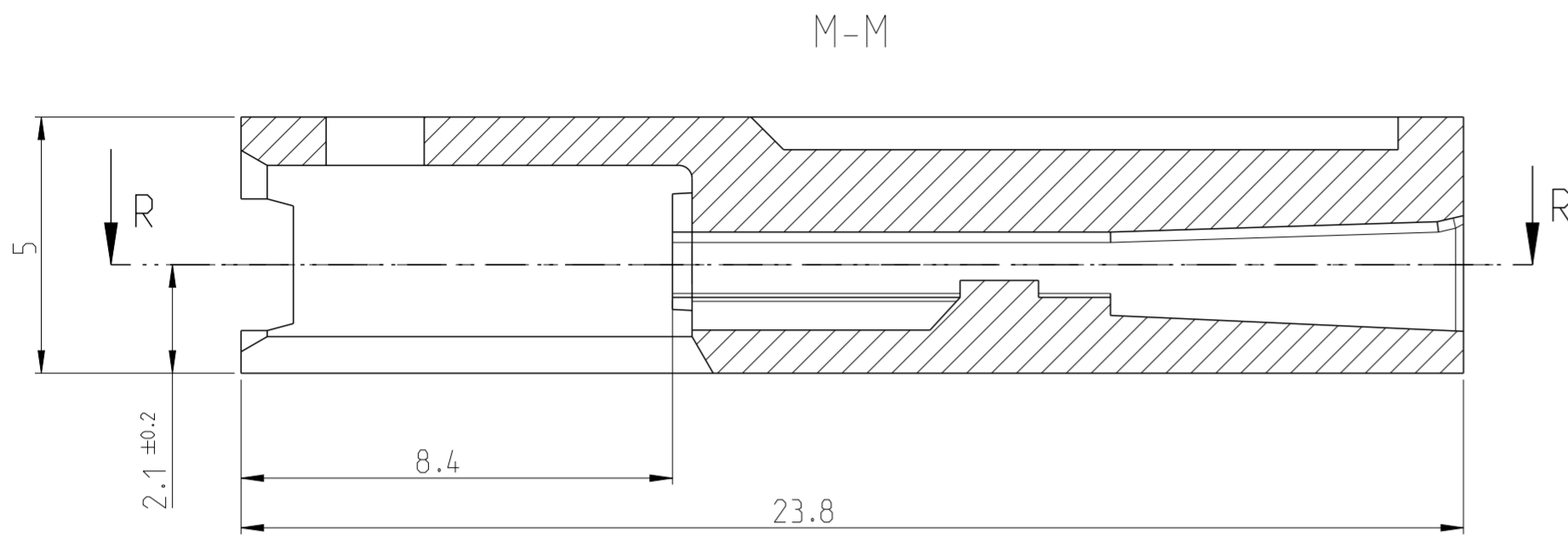


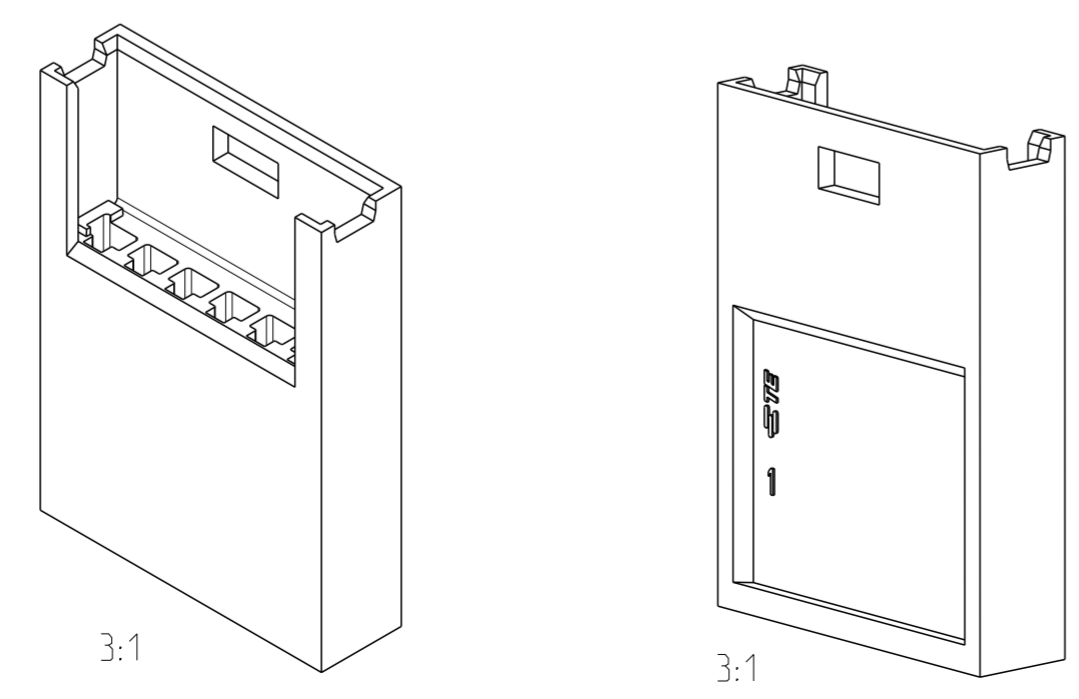
THIS DRAWING IS UNPUBLISHED. RELEASED FOR PUBLICATION 20
 © COPYRIGHT 20 BY - ALL RIGHTS RESERVED.

REVISIONS				
P	LTR	DESCRIPTION	DATE	APVD
J		MATERIAL CHANGE TO LCP	16OCT2018	KJK PS



- NOTES:
- 1 LCP, BLACK, UL94V-0
 - 2 TOLERANCE NOT CUMULATIVE
 - 3 PA6.6 15% GF, RED
 - 4 OBSOLETE

NUM OF POS	PART NUMBER	DIM "A"	DIM "B"	MATERIAL
4	284072-1	7.62	12.5	3
2	284071-1	2.54	7.4	
22	280636	53.54	58.2	1
15	280635	35.56	40.4	
12	280634	27.94	32.8	
10	280633	22.86	27.7	
9	280632	20.32	25.1	
8	280631	17.78	22.6	
6	280630	12.70	17.5	
4	280629	7.62	12.5	
2	280628	2.54	7.4	



THIS DRAWING IS A CONTROLLED DOCUMENT.

DIMENSIONS: mm	TOLERANCES UNLESS OTHERWISE SPECIFIED: ±0.3	DWN: KARTHIK J K 15OCT2018	 TE Connectivity
	0 PLC ±	CHK: SHARATH S 16OCT2018	
	1 PLC ±	APVD: PRASHANTH S 16OCT2018	NAME: AMPMODU II PIN HOUSING
	2 PLC ±	PRODUCT SPEC: 108-20025	SINGLE ROW, CRIMP SNAP-IN
	3 PLC ±	APPLICATION SPEC: -	SIZE: A2
	4 PLC ±	WEIGHT: -	CAGE CODE: 00779
MATERIAL: -	FINISH: -	CUSTOMER DRAWING	DRAWING NO: C-280628
		SCALE: 8:1	RESTRICTED TO: -
		SHEET: 1 OF 1	REV: J

单击下面可查看定价，库存，交付和生命周期等信息

[>>TE Connectivity\(泰科\)](#)