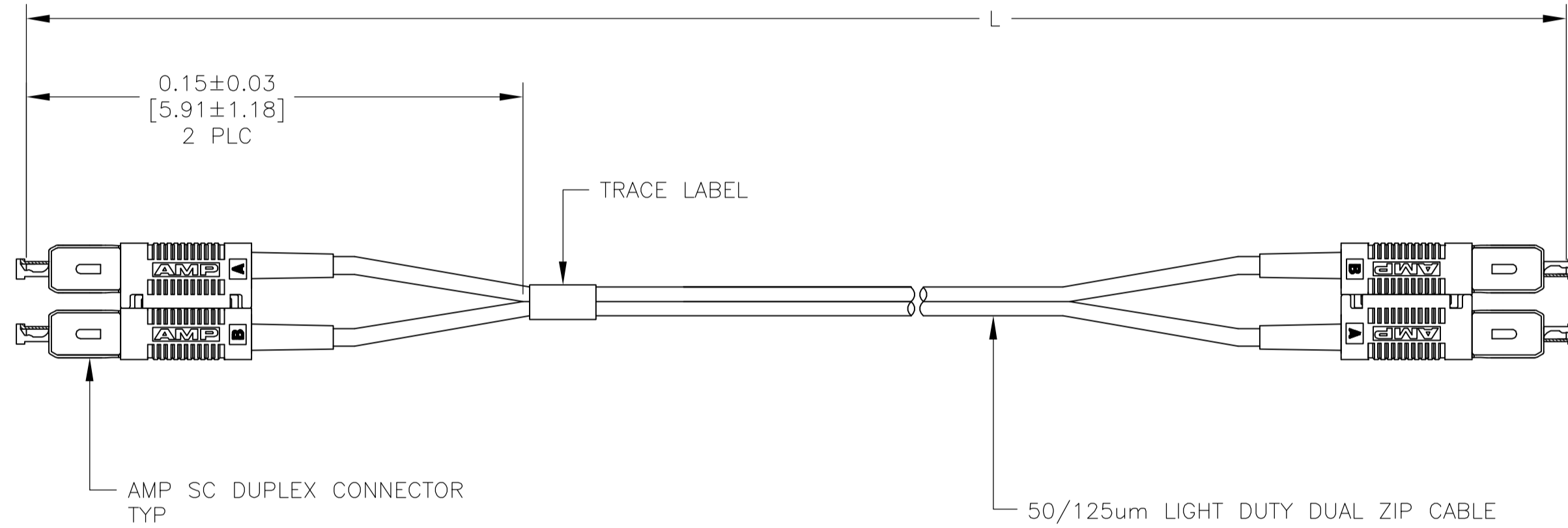


THIS DRAWING IS UNPUBLISHED. RELEASED FOR PUBLICATION
 © COPYRIGHT BY TYCO ELECTRONICS CORPORATION. ALL RIGHTS RESERVED.

LOC	DIST	REVISIONS			
P	LTR	DESCRIPTION	DATE	OWN	APVD
CE	16	A1	ADDED PART NO 3--2	26JUN06	JWD JD

- 1. MAXIMUM CONNECTOR INSERTION LOSS IS 0.5 dB PLUS CABLE ATTENUATION OF 2 dB/km, AT 1300nm. (SEE TABLE)
- 2. GEOMETRY REQUIREMENTS: RADIUS OF CURVATURE: 10-30mm
- 3. PRODUCT AND PROCESSING MUST MEET REQUIREMENTS OF TYCO ELECTRONICS STANDARD 230-702.



MAX IL (dB)	L	PART NUMBER
0.51	7.00±0.08 [275.6±3.0]	3-5504969-2
0.52	19.00±0.30 [748.0±12.0]	3-5504969-1
0.51	13.00±0.15 [511.8±6.0]	3-5504969-0
0.5	0.406±0.03 [16.00±1.00]	2-5504969-9
0.5	1.50±0.05 [59.10±2.00]	2-5504969-8
0.5	0.61±0.03 [24.00±1.00]	2-5504969-7
0.68	91.00±0.91 [3582.68±35.83]	2-5504969-6
0.62	61.00±0.61 [2401.57±24.02]	2-5504969-5
0.58	41.00±0.41 [1614.17±16.14]	2-5504969-4
0.55	25.00±0.30 [984.25±11.81]	2-5504969-3
1.7	600.00±6.00 [23622.05±236.22]	2-5504969-2
1.6	550.00±5.50 [21,653.54±216.54]	2-5504969-1
1.5	500.00±5.00 [19,685.04±196.85]	2-5504969-0
1.4	450.00±4.50 [17,716.54±177.17]	1-5504969-9
1.3	400.00±4.00 [15748.03±157.48]	1-5504969-8
1.2	350.00±3.50 [13779.53±137.95]	1-5504969-7
1.1	300.00±3.00 [11811.02±118.11]	1-5504969-6
1.0	250.00±2.50 [9842.52±98.43]	1-5504969-5
0.9	200.00±2.00 [7874.02±78.74]	1-5504969-4
0.8	150.00±1.50 [5905.51±59.06]	1-5504969-3
0.7	100.00±1.00 [3937.01±39.37]	1-5504969-2
0.65	75.00±0.80 [2952.76±31.50]	1-5504969-1
0.6	50.00±0.50 [1968.50±19.69]	1-5504969-0
0.5	4.00±0.08 [157.48±3.15]	5504969-9
0.56	30.00±0.30 [1181.10±11.81]	5504969-8
0.54	20.00±0.30 [787.40±11.81]	5504969-7
0.53	15.00±0.15 [590.55±5.91]	5504969-6
0.52	10.00±0.15 [393.70±5.91]	5504969-5
0.51	5.00±0.08 [196.85±3.15]	5504969-4
0.5	3.00±0.05 [118.11±1.97]	5504969-3
0.5	2.00±0.05 [78.74±1.97]	5504969-2
0.5	1.00±0.05 [39.37±1.97]	5504969-1

THIS DRAWING IS A CONTROLLED DOCUMENT.

DWN	KATHY HE	24OCT05	 Tyco Electronics Corporation Harrisburg Pa, 17105-3608
CHK	RICHARD ZHAO	24OCT05	
APVD	J. DUNCAN	24OCT05	
NAME	PRODUCT SPEC		
APPLICATION SPEC			SIZE
WEIGHT			CAGE CODE
MATERIAL			DRAWING NO
FINISH			RESTRICTED TO

CABLE ASSY, FIBER OPTIC, 50/125um LDD ZIP, AMP SC DUPLEX, FIBRE CHANNEL, OPTIMATE

A2 00779 C-5504969

CUSTOMER DRAWING SCALE NTS SHEET 1 OF 1 REV A1

单击下面可查看定价，库存，交付和生命周期等信息

[>>TE Connectivity\(泰科\)](#)