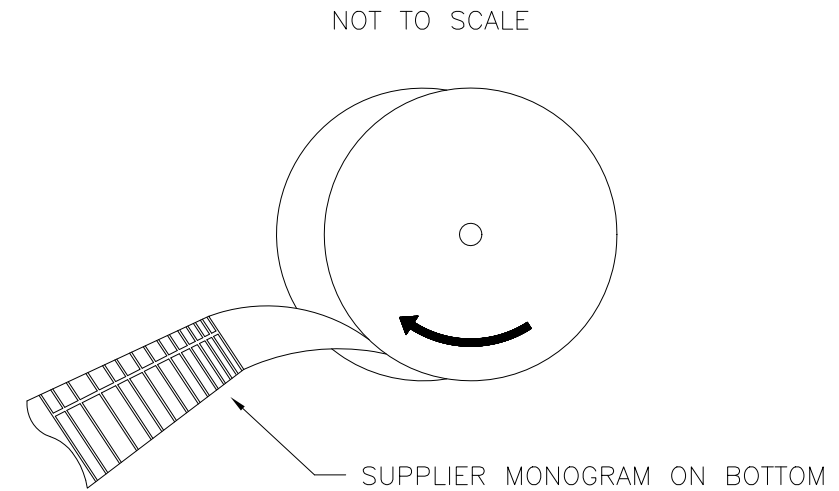
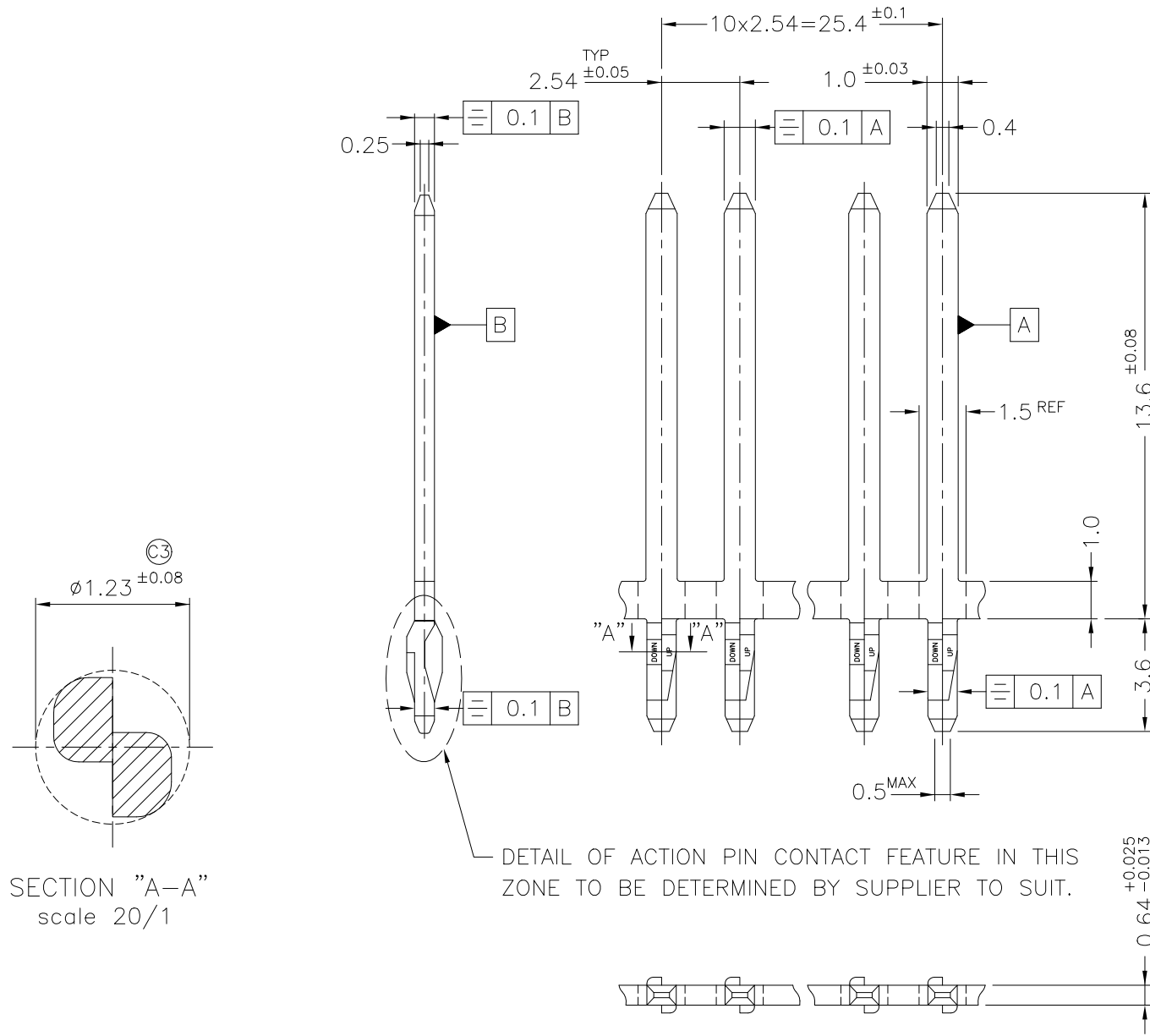


THIS DRAWING IS UNPUBLISHED. RELEASED FOR PUBLICATION
 © COPYRIGHT BY TYCO ELECTRONICS CORPORATION, ALL RIGHTS RESERVED.

LOC	DIST	REVISIONS					
		P	LTR	DESCRIPTION	DATE	DWN	APVD
			O	RELEASED (FC00-0016-00)	03.FEB'00	YM	CS
			A	REVISED (FC00-0152-00)	30.NOV'00	YM	CS
			B	REVISED (FC00-0088-01)	25.JUL'01	YM	CS
			C	REVISED (FC00-0068-03)	13.MAY'03	HS	CS
			C1	REVISED (ECR-06-007293)	27.MAR'06	YH	JK
			C2	REVISED (ECR-06-011318)	06.JUL'06	YH	JK
			C3	REVISED (ECR-07-005371)	27.AUG'07	SG	HG



③ * NOTES;

- ① PHOSPHOR BRONZE- HARD
- 2 TRIMMING DIMENSION IS DETERMINED BY THE PRE-SETTING ON THE TE MACHINE.
- 3 PCB HOLE SIZE;
 DRILLED HOLE ϕ ; 1.15 \pm 0.025
 FINISHED HOLE ϕ ; 0.94 ~1.09
 Cu- THICKNESS; 0.025 ~0.075
 SnPb- THICKNESS; 0.004 ~0.010
- 4 DIMENSIONS APPLY BEFORE PLATING

600mm PLASTIC REEL/30M	TIN PLATING	①	1-368405-2
585mm PAPER REEL/30M	TIN PLATING	①	368405-2
REEL/Q'TY	FINISH	MATERIAL	PART NUMBER

THIS DRAWING IS A CONTROLLED DOCUMENT FOR TYCO ELECTRONICS CORPORATION IT IS SUBJECT TO CHANGE AND THE CONTROLLING ENGINEERING ORGANIZATION SHOULD BE CONTACTED FOR THE LATEST REVISION.		DWN : SG OH		AMP KOREA, kyungsan, korea	
DIMENSIONS: MM DIMENSIONS APPLY BEFORE PLATING		CHK : YD LEE			
TOLERANCES UNLESS OTHERWISE SPECIFIED: 0 <XX<10 ± 0.2 10<XX<30 ± 0.25 30<XX<100 ± 0.3 ANGLES ± 3°		APVD : HG CHD		NAME	
		PRODUCT SPEC		ACTION-PIN FOR .040 TYPE	
		APPLICATION SPEC			
MATERIAL ①		WEIGHT		SIZE	RESTRICTED TO
FINISH SEE TABLE		CUSTOMER DRAWING		A3 00779	368405
		SCALE 10/1		SHEET 1 OF 1	REV C3

单击下面可查看定价，库存，交付和生命周期等信息

[>>TE Connectivity\(泰科\)](#)