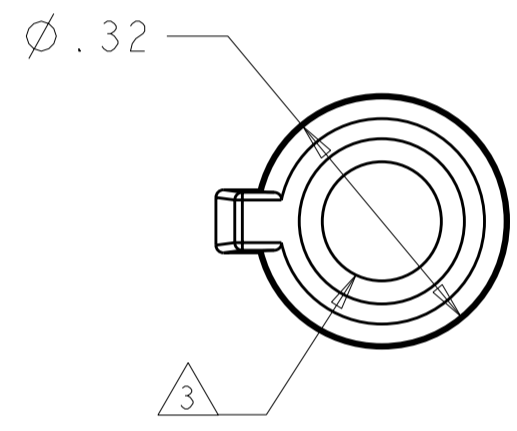
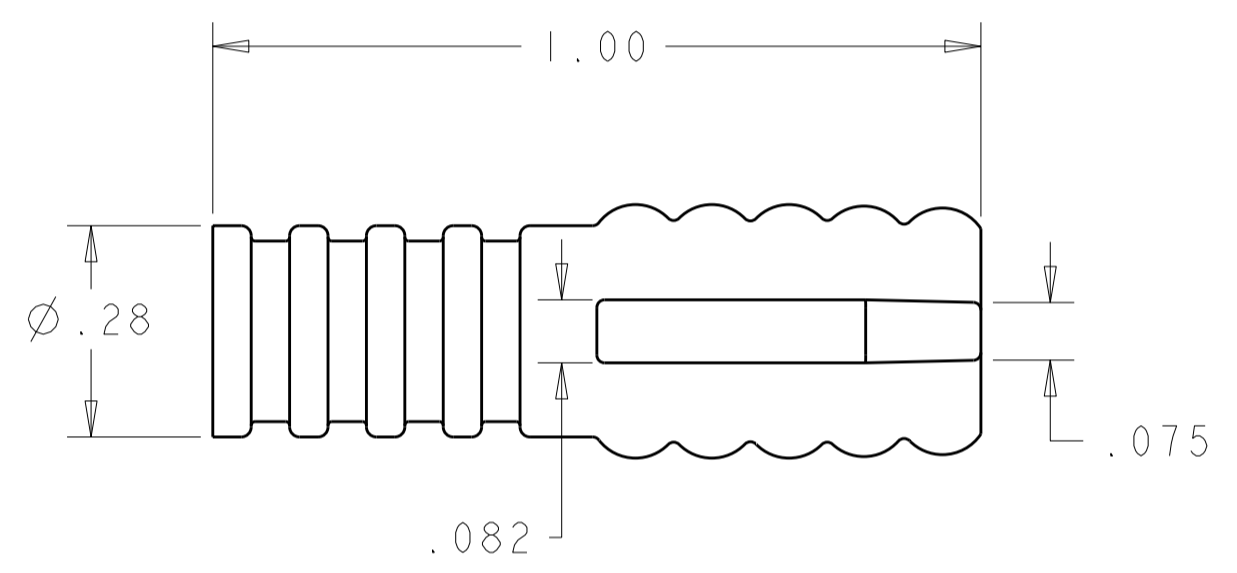
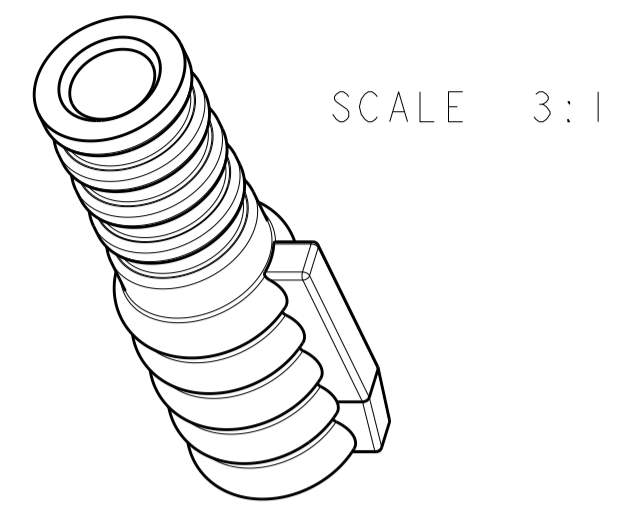


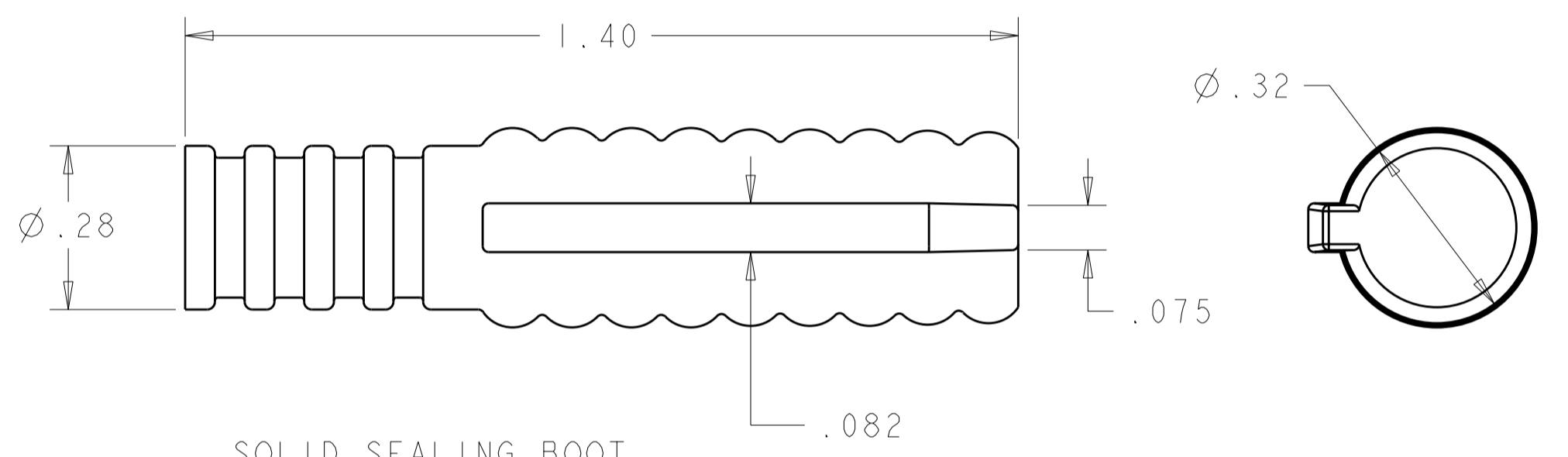
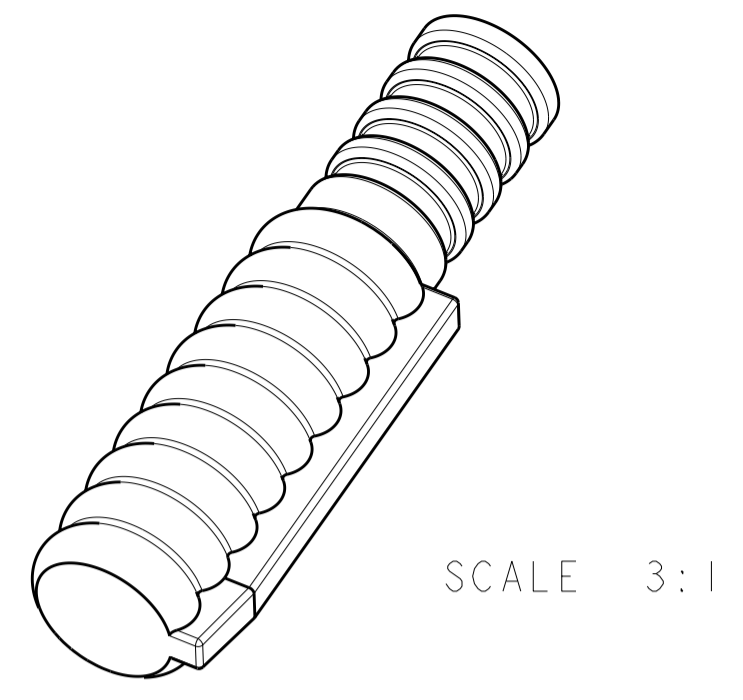
THIS DRAWING IS UNPUBLISHED. RELEASED FOR PUBLICATION 20
 © COPYRIGHT 20 BY TYCO ELECTRONICS CORPORATION. ALL RIGHTS RESERVED.



WIRE SEAL BOOT
 FOR QUAD CABLE
 PACKAGED IN QUANTITY
 AS PART NUMBERS
 1604872-3, (QTY=10)
 1604872-4, (QTY=100)
 1604872-5 (QTY=1000)

- 1 MATERIAL: SELF LUBRICATING SILICONE RUBBER PER ZZ-R-765.
- 2. COLOR: RED
- 3 INSIDE DIAMETER TO SEAL OFF ON .145-.175 INCH OUTSIDE DIAMETER CABLE
- 4 PARTS PACKAGED IN POLY BAGS IN QUANTITY PER TABLE.

| LOC | DIST | REVISIONS | | | |
|-----|------|-------------|-----------------------|---------|-------|
| P | LTR | DESCRIPTION | DATE | DWN | APVD |
| - | - | A | REV PER ECO 10-014050 | 8-24-10 | CT DM |



SOLID SEALING BOOT
 PACKAGED IN QUANTITY
 AS PART NUMBERS
 1604872-2 (QTY=1)
 1604872-6 (QTY=10)
 1604872-7 (QTY=100)
 1604872-8 (QTY=1000)

| 4 PACKAGE QUANTITY | DESCRIPTION | PART NUMBER |
|--------------------|--------------------------|-------------|
| 1000 | SOLID SEALING BOOT | 1604872-8 |
| 100 | SOLID SEALING BOOT | 1604872-7 |
| 10 | SOLID SEALING BOOT | 1604872-6 |
| 1000 | WIRE SEAL FOR QUAD CABLE | 1604872-5 |
| 100 | WIRE SEAL FOR QUAD CABLE | 1604872-4 |
| 10 | WIRE SEAL FOR QUAD CABLE | 1604872-3 |
| 1 | SOLID SEALING BOOT | 1604872-2 |

| | | | |
|--|--|--|--|
| <small>THIS DRAWING IS A CONTROLLED DOCUMENT FOR TYCO ELECTRONICS CORPORATION. IT IS SUBJECT TO CHANGE AND THE CONTROLLING ENGINEERING ORGANIZATION SHOULD BE CONTACTED FOR THE LATEST REVISION.</small> | | DWN B.D. YOHN 27APR2004 CHK W. BERNHART 27APR2004 APVD W. BERNHART 27APR2004 | Tyco Electronics Tyco Electronics Harrisburg, PA 17105-3608 |
| DIMENSIONS: INCHES | TOLERANCES UNLESS OTHERWISE SPECIFIED: 0 PLC ±- 1 PLC ±.01 2 PLC ±.01 3 PLC ±.005 4 PLC ±- ANGLES ±- FINISH | PRODUCT SPEC - APPLICATION SPEC - WEIGHT - | NAME BOOT, SEAL, WIRE, QUADRAX SIZE A2 CAGE CODE 00779 DRAWING NO 1604872 RESTRICTED TO - SCALE 4:1 SHEET 1 OF 1 REV A |
| CUSTOMER DRAWING | | | |

单击下面可查看定价，库存，交付和生命周期等信息

[>>TE Connectivity\(泰科\)](#)