

Thermofit Molded Parts Specification Control Drawing

Part Number : 522A013
Description : Boot, 90°, Four Entry

NOTES

- All dimensions are in $\frac{\text{inches}}{\text{[millimeters]}}$ $\frac{\text{lbs}}{\text{[grams]}}$
- Dimensions appearing in table are as follows:
a - As Supplied
b - After Unrestricted Recovery
- Coating is optional. As supplied dimensions appearing in table are for uncoated parts. When coating is added, entry diameters will be reduced by .06 max.
- Molding ports are optional. When -00 modification number is specified molding ports will be located as shown.
- Weight shown in table of dimensions is based on polyolefin part.

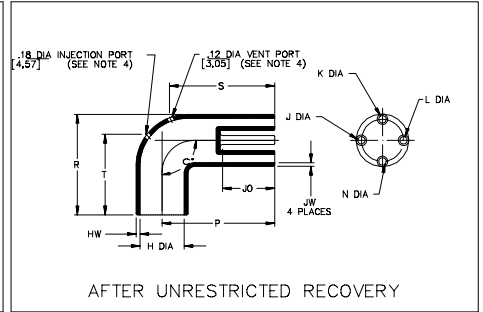
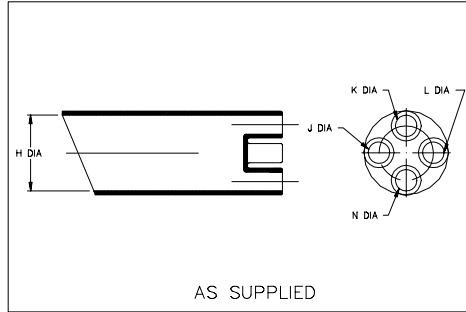


TABLE OF DIMENSIONS

PART NUMBER	H		J,K,L & N		P	R	JO	HW	JW	S	T	C	Weight	This Boot Fits MIL-C-26482 Shell Size
	Min a	Max b	Min a	Max b	±10% b	±10% b	±10% b	±20% b	±10% b	±10% b	±5° b	Nom b		
522A013	1.00 [25,4]	.87 [22,1]	.29 [7,4]	.16 [4,1]	2.05 [52,1]	1.50 [38,1]	.92 [23,4]	.06 [1,5]	.05 [1,3]	1.62 [41,1]	1.22 [31,0]	90°	.019 [8,6]	14

Raychem

RAYCHEM CORPORATION
300 CONSTITUTION DRIVE
MENLO PARK, CALIFORNIA 94025
(415) 361-6055

Revision : B
Date : 06/27/91

Part Number : 522A013
Description : Boot, 90°, Four Entry

Thermofit Molded Parts Specification Control Drawing

Part Number : 522A013
Description : Boot, 90°, Four Entry

COMPATABILITY CHART					
MATERIAL DASH NO.	MATERIAL DESCRIPTION	RT SPEC	COATING SLASH NO.	COATING S NO.	COATING DESCRIPTION
-3	Polyolefin, Semi-rigid	RT-301	N/A		
-12	*VITON, Flexible	RT-1312	N/A		

*VITON is a Registered Trademark of Dupont

ORDERING INFORMATION

522A013 -XX -XX /XXX

Base part number _____

Material dash number _____
(See Compatability Chart)

Modification number _____
(If necessary, see front of scd binder for a complete list)

Adhesive slash number _____
(If necessary, see Compatability Chart)

THIS DRAWING IS SUBJECT TO CHANGE WITHOUT NOTICE; CONSULT YOUR NEAREST FIELD REPRESENTATIVE FOR CURRENT REVISION

Raychem

RAYCHEM CORPORATION
300 CONSTITUTION DRIVE
MENLO PARK, CALIFORNIA 94025
(415) 361-6055

If this document is printed it becomes uncontrolled.
Check for the latest revision.

Revision : B
Date : 06/27/91

Part Number : 522A013
Description : Boot, 90°, Four Entry

CAD FILE MP91159

单击下面可查看定价，库存，交付和生命周期等信息

[>>TE Connectivity\(泰科\)](#)