

4

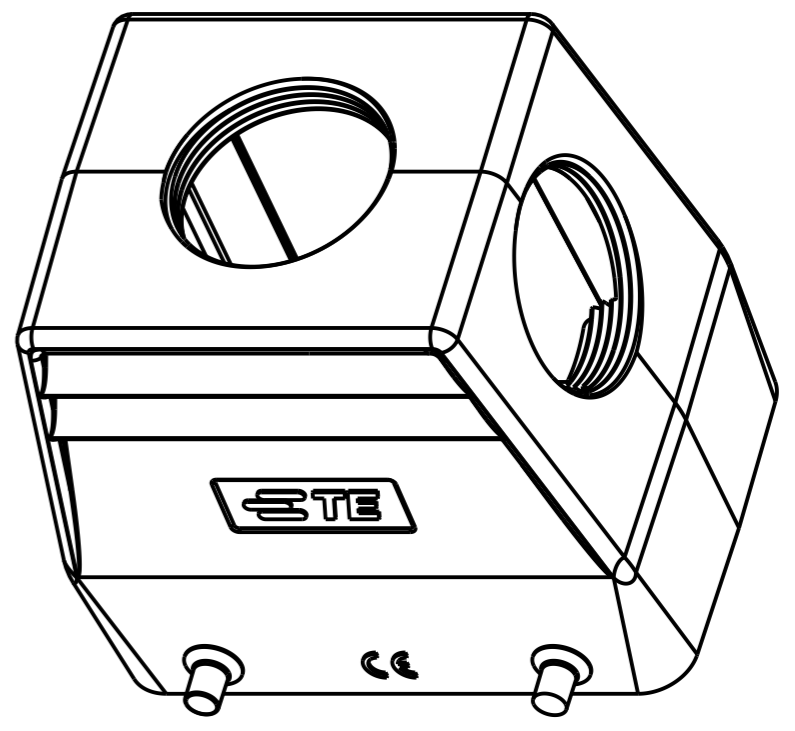
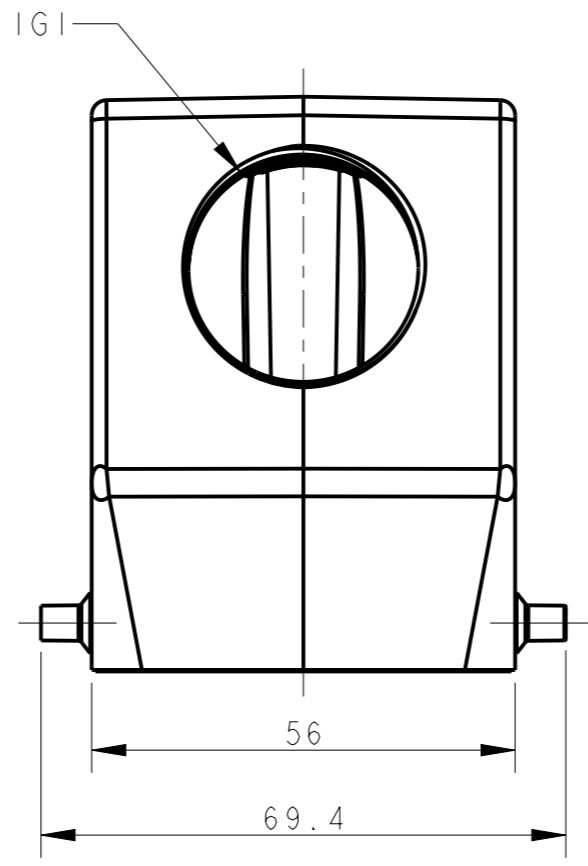
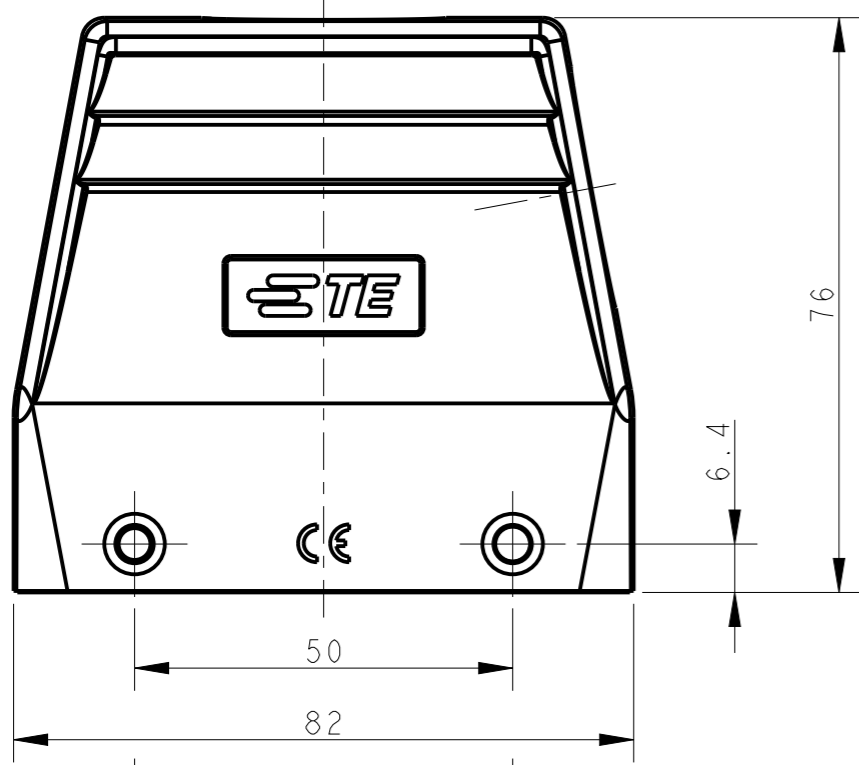
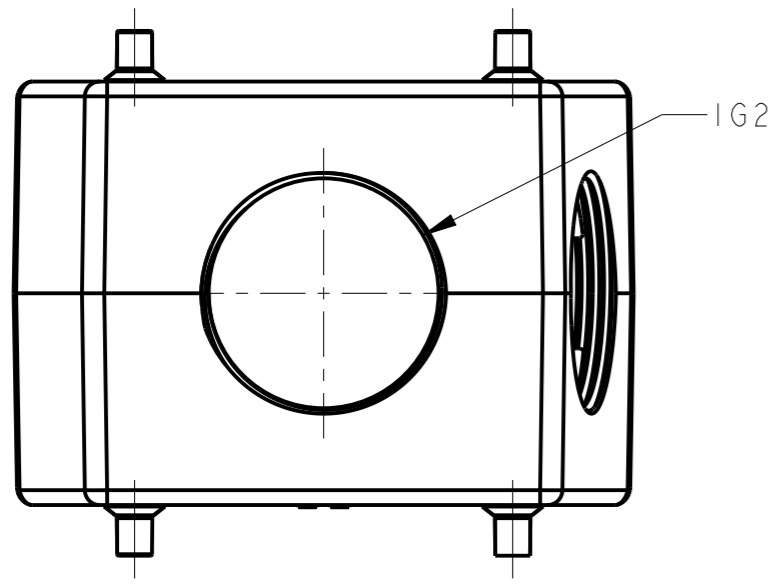
3

2

1

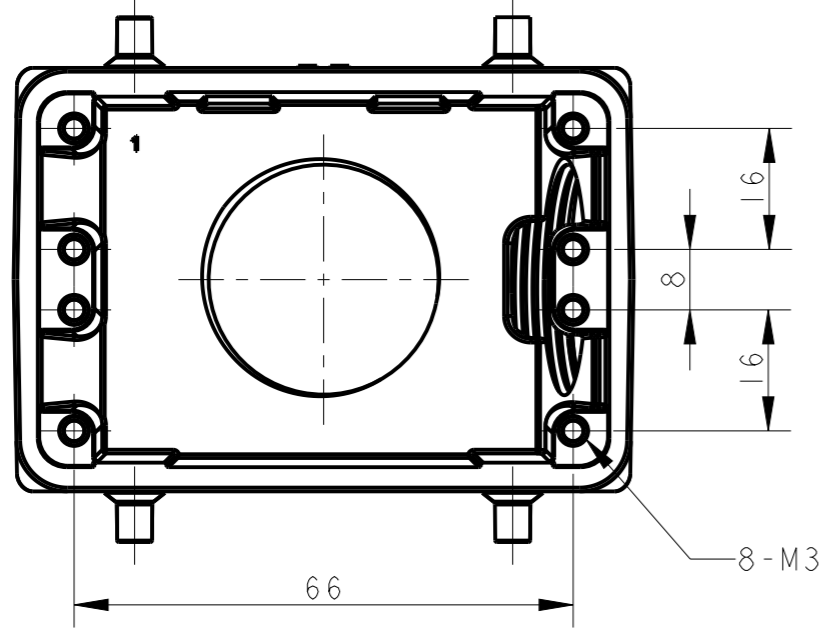
THIS DRAWING IS UNPUBLISHED. RELEASED FOR PUBLICATION 20
© COPYRIGHT 20 BY - ALL RIGHTS RESERVED.

REVISIONS					
P	LTR	DESCRIPTION	DATE	DWN	APVD
	A	INITIAL RELEASE	11MAY2015	DL	CW
	B	ECR-20-010477	28DEC2020	BS	CW



NOTES:
 1. TECHNICAL CHARACTERISTICS:
 BODY MATERIAL: DIE CAST ALUMINIUM ALLOY
 SURFACE TREATMENT: POWDER-COATED, GRAY
 DEGREE OF PROTECTION: IP65 (MATED)

注释:
 1. 技术参数:
 主体材料: 铝合金
 表面处理: 粉末喷涂, 灰色
 防护等级: IP65(配合)



T1209320232-000	H32A-TS/G-2M32	M32	M32
ASSEMBLY PART NUMBER	ASSEMBLY PART DESCRIPTION	IG1	IG2

THIS DRAWING IS A CONTROLLED DOCUMENT.		DWN 11MAY2015 DAVID LI	STE TE Connectivity	
DIMENSIONS: mm		CHK 11MAY2015 CHRIS WANG		
TOLERANCES UNLESS OTHERWISE SPECIFIED:		APVD 11MAY2015 XU XIANG	NAME H32A-TS/G-2M32	
0 PLC ±-		PRODUCT SPEC 108-137010	RESTRICTED TO	
1 PLC ±-		APPLICATION SPEC 114-137010	SIZE A3	CAGE CODE -
2 PLC ±-		WEIGHT -	DRAWING NO. C-T1209320232000	
3 PLC ±-		CUSTOMER DRAWING	SCALE 1:1	SHEET 1 OF 1
4 PLC ±-				REV B
ANGLES ±-				
FINISH -				
MATERIAL -				

单击下面可查看定价，库存，交付和生命周期等信息

[>>TE Connectivity\(泰科\)](#)