

THIS DRAWING IS UNPUBLISHED.

RELEASED FOR PUBLICATION

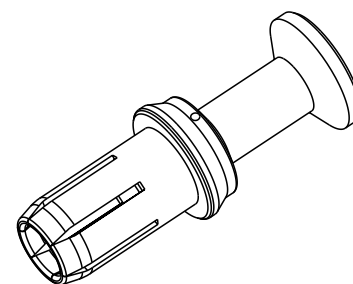
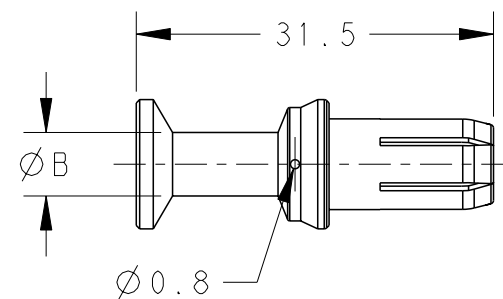
20

© COPYRIGHT 20 BY -

ALL RIGHTS RESERVED.

REVISIONS

P	LTR	DESCRIPTION	DATE	DWN	APVD
	A	INITIAL	15MAY2015	DW	CW
	A1	ECR-16-015170	11JAN2017	YC	CW
	B	ECR-19-018087	22NOV2019	YC	CW
	B1	ECR-21-125167	4JAN2022	GY	CW



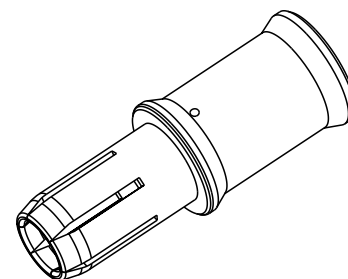
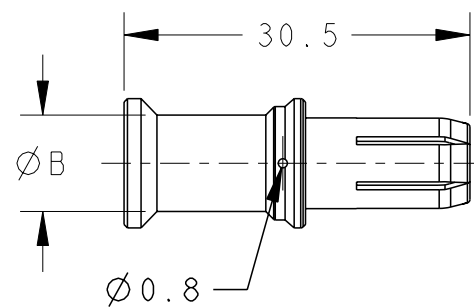
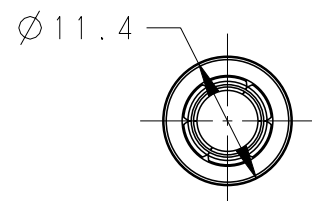
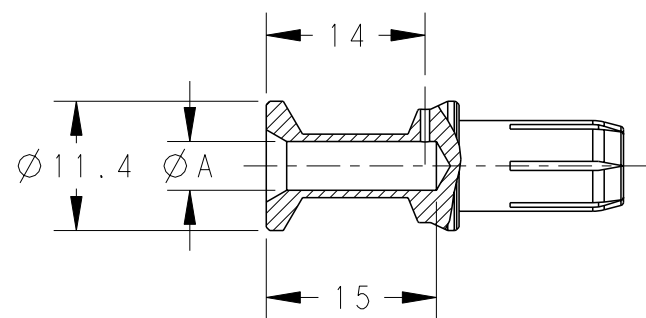
TYPE 1:  
CSF-10 T2400002100-000  
类型 1:  
CSF-10 T2400002100-000

NOTES:

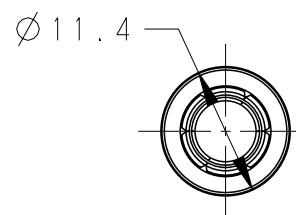
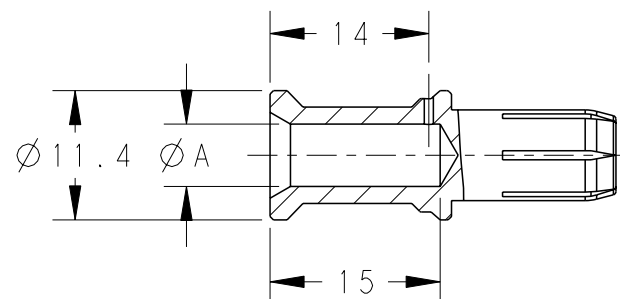
1. TECHNICAL CHARACTERISTICS:  
CONTACT MATERIAL: BRASS  
SURFACE PLATING:  
SILVER PLATING:  $\geq 2\mu\text{m}$   
CONTACT RESISTANCE:  $\leq 1.5\text{m}\Omega$   
WIRE RANGE: 6.0-25mm<sup>2</sup>

注释:

1. 技术参数:  
公针材料: 黄铜  
表面电镀:  
镀银:  $\geq 2\mu\text{m}$   
接触电阻:  $\leq 1.5\text{m}\Omega$   
接线范围: 6.0-25mm<sup>2</sup>



TYPE 2:  
CSF-16 T2400002160-000  
类型 2:  
CSF-16 T2400002160-000



THIS DRAWING IS A CONTROLLED DOCUMENT.

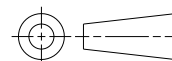
DWN 15MAY2015  
DAVID WANG  
CHK 15MAY2015  
CHRIS WANG  
APVD 15MAY2015  
XIANG XU



TE Connectivity

DIMENSIONS:  
mm

TOLERANCES UNLESS OTHERWISE SPECIFIED:



0 PLC ±-  
1 PLC ±-  
2 PLC ±-  
3 PLC ±-  
4 PLC ±-  
ANGLES ±-

MATERIAL

FINISH

PRODUCT SPEC  
108-137059

APPLICATION SPEC  
114-137059

WEIGHT  
-

NAME

CSF  
SS SOCKET CONTACT

SIZE

CAGE CODE

DRAWING NO

RESTRICTED TO

A300779

C-T2400002XX0000

-

CUSTOMER DRAWING

SCALE

3:2

SHEET

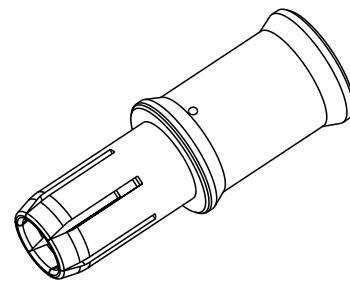
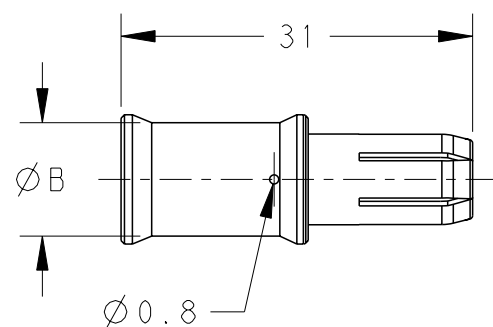
1 OF 2

REV

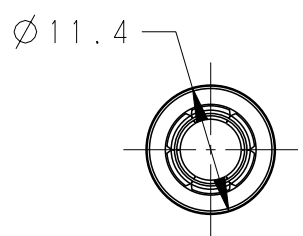
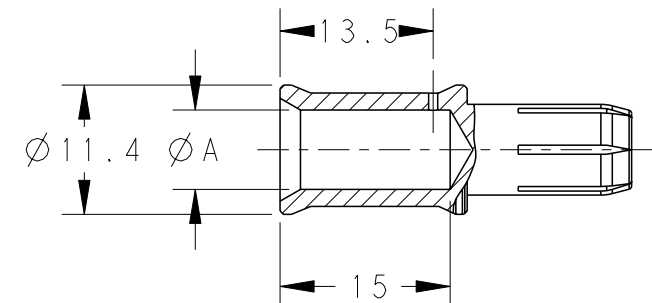
B1

THIS DRAWING IS UNPUBLISHED. RELEASED FOR PUBLICATION 20  
 © COPYRIGHT 20 BY - ALL RIGHTS RESERVED.

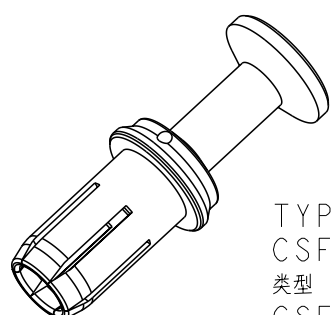
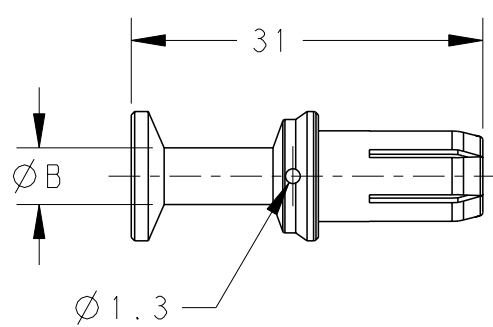
P	LTR	DESCRIPTION	DATE	DWN	APVD
	-	SEE SHEET 1	-	-	-



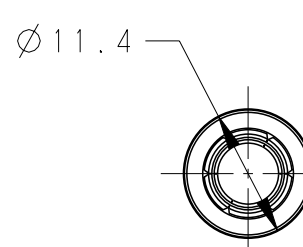
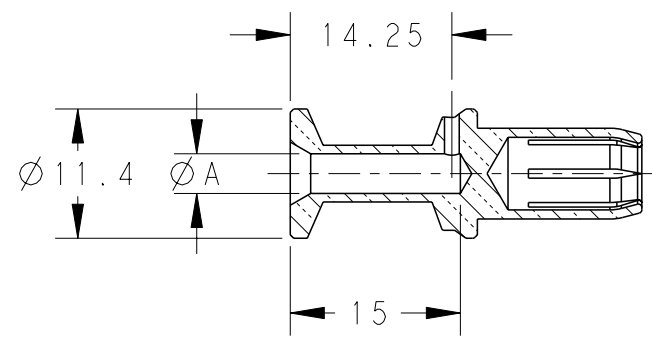
NOTES:  
 SEE SHEET 1.  
 注释:  
 见SHEET 1.



TYPE 3:  
 CSF-25 T2400002250-000  
 类型 3:  
 CSF-25 T2400002250-000



TYPE 4:  
 CSF-6.0 T2400002060-000  
 类型 4:  
 CSF-6.0 T2400002060-000



T2400002100-000	CSF-10	CSF-10, SILVER PLATING / SS母针 10mm <sup>2</sup> , 镀银	4.3	5.6	10	15	TYPE 1
T2400002160-000	CSF-16	CSF-16, SILVER PLATING / SS母针 16mm <sup>2</sup> , 镀银	5.5	8.5	16		TYPE 2
T2400002250-000	CSF-25	CSF-25, SILVER PLATING / SS母针 25mm <sup>2</sup> , 镀银	7.0	10.0	25		TYPE 3
T2400002060-000	CSF-6.0	CSF-6.0, SILVER PLATING / SS母针 6.0mm <sup>2</sup> , 镀银	3.5	5.0	6		TYPE 4
PART NUMBER 料号	PART DESCRIPTION 描述		ØA	ØB	WIRE GAUGE 线规(mm <sup>2</sup> )	STRIPPING LENGTH(mm) 剥线长度	TYPE 类型

THIS DRAWING IS A CONTROLLED DOCUMENT.

DIMENSIONS: mm	TOLERANCES UNLESS OTHERWISE SPECIFIED: 0 PLC ±- 1 PLC ±- 2 PLC ±- 3 PLC ±- 4 PLC ±- ANGLES ±-	DWN 15MAY2015 DAVID WANG CHK 15MAY2015 CHRIS WANG APVD 15MAY2015 XIANG XU PRODUCT SPEC 108-137059 APPLICATION SPEC 114-137059 WEIGHT -		
MATERIAL -	FINISH -	CUSTOMER DRAWING	NAME CSF SS SOCKET CONTACT	RESTRICTED TO -
		SIZE A3	CAGE CODE 00779	DRAWING NO T2400002XX0000
		SCALE 3:2	SHEET 2 OF 2	REV B1

Printed on 4 Jan 2022 16:33 (China Standard Time) from TE152312

单击下面可查看定价，库存，交付和生命周期等信息

[>>TE Connectivity\(泰科\)](#)