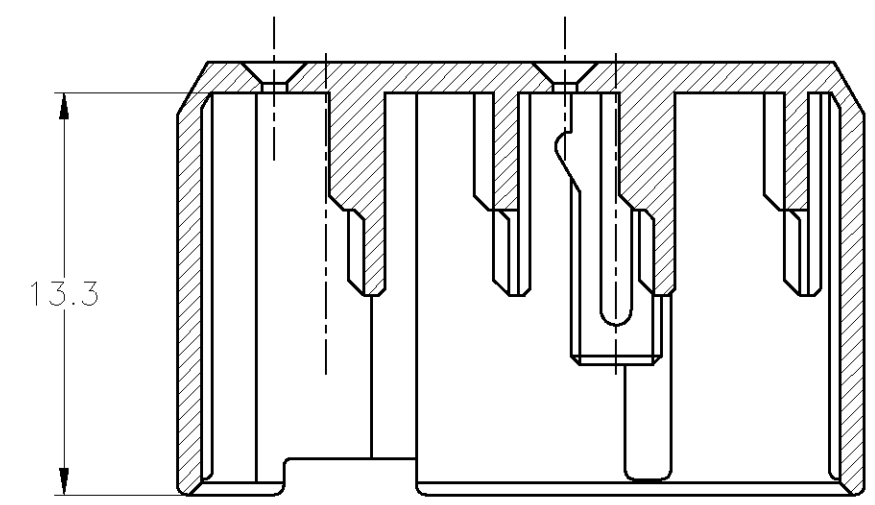
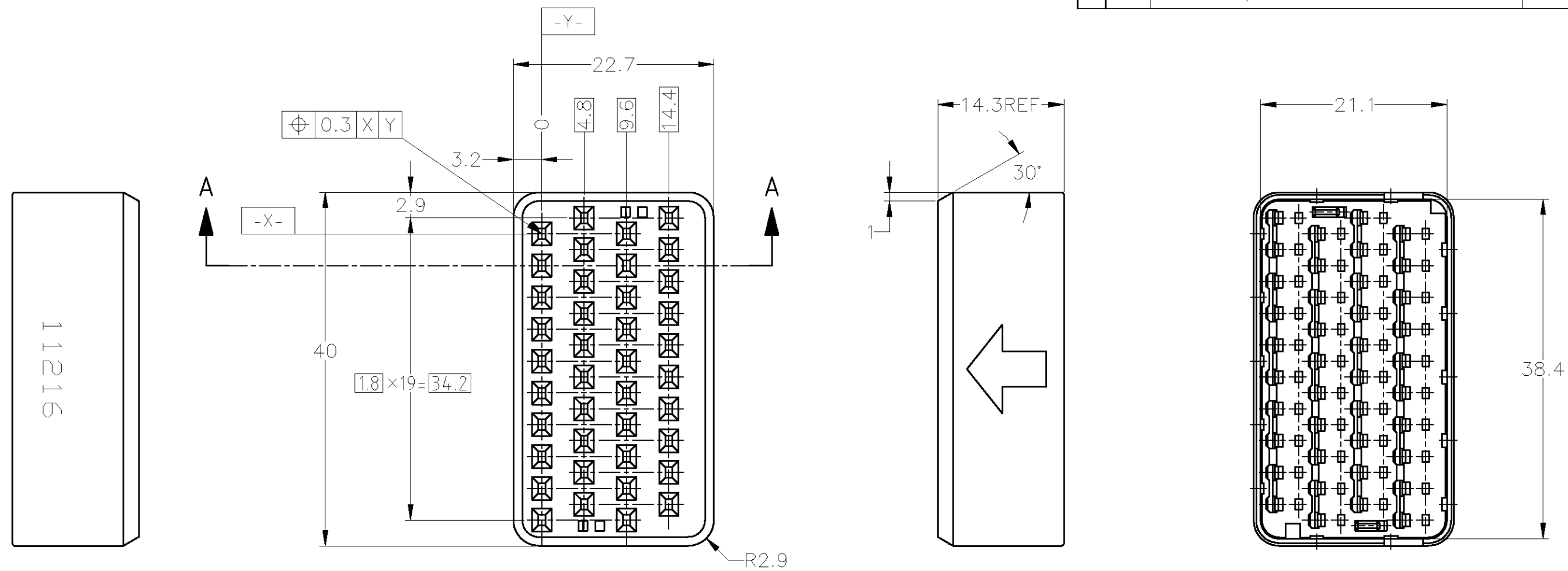
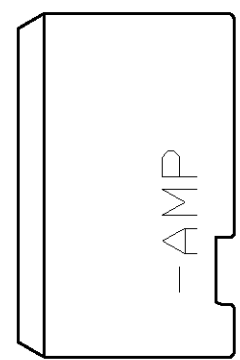


THIS DRAWING IS UNPUBLISHED. RELEASED FOR PUBLICATION
 © COPYRIGHT - By Tyco Electronics Japan G.K. ALL RIGHTS RESERVED.

LOC	DIST	REVISIONS			
P	LTR	DESCRIPTION	DATE	DWN	APVD
J	-	01 REDRAWN W/CHANGE	ECR-11-020190	040CT11	TS KB



A-A
SCALE 4:1



1. INSERT DBL LOCK PLATE IN PLUG HOUSING.
(PN; 178409, 178411)
1. 本品はプラグハウジング型番178409, 178411に装着される。

YELLOW	178413-7
COLOR	PART NUMBER

TOLERANCES UNLESS OTHERWISE SPECIFIED:	
10 ≥	: ±0.2
30 ≥	> 10: ±0.25
100 ≥	> 30: ±0.3
ANGLE: ±3°	

THIS DRAWING IS A CONTROLLED DOCUMENT.		DWN T.SHINOHARA 040CT11	STE TE Connectivity	
DIMENSIONS: mm		CHK K.BETSUI 040CT11		
TOLERANCES UNLESS OTHERWISE SPECIFIED:		APVD K.BETSUI 040CT11	NAME 040 SERIES SEALED PAIR MATE CONNECTOR DOUBLE LOCK PLATE	
0 PLC ± -		PRODUCT SPEC 108-5365	SIZE CAGE CODE DRAWING NO RESTRICTED TO	
1 PLC ± -		APPLICATION SPEC	A3 00779 C-178413	
2 PLC ± -		WEIGHT 3.8 g	SCALE 2:1 SHEET 1 OF 1 REV 01	
3 PLC ± -		CUSTOMER DRAWING		
4 PLC ± -				
ANGLES ± -				
FINISH -				
MATERIAL PBT				

单击下面可查看定价，库存，交付和生命周期等信息

[>>TE Connectivity\(泰科\)](#)