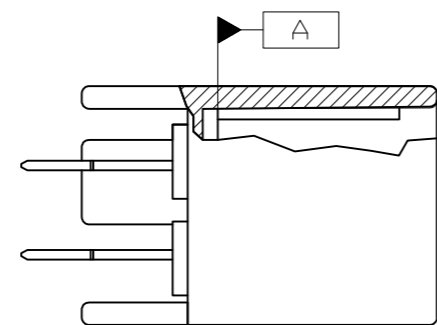
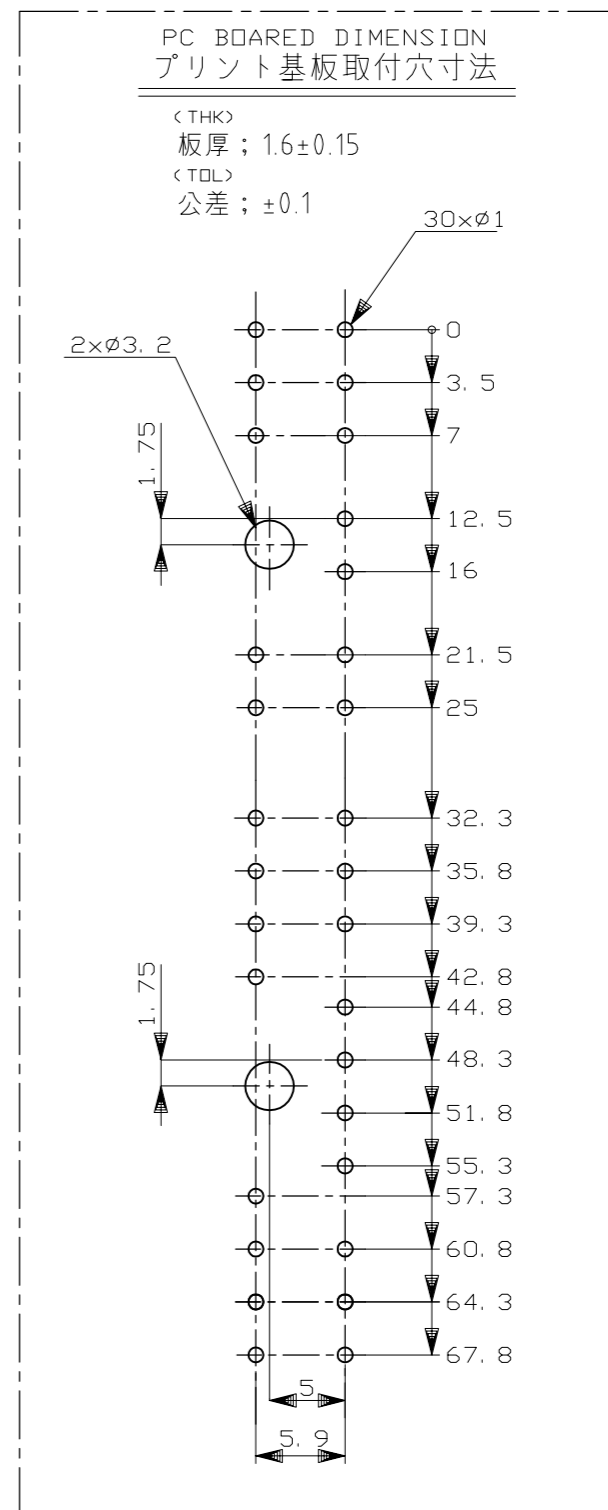
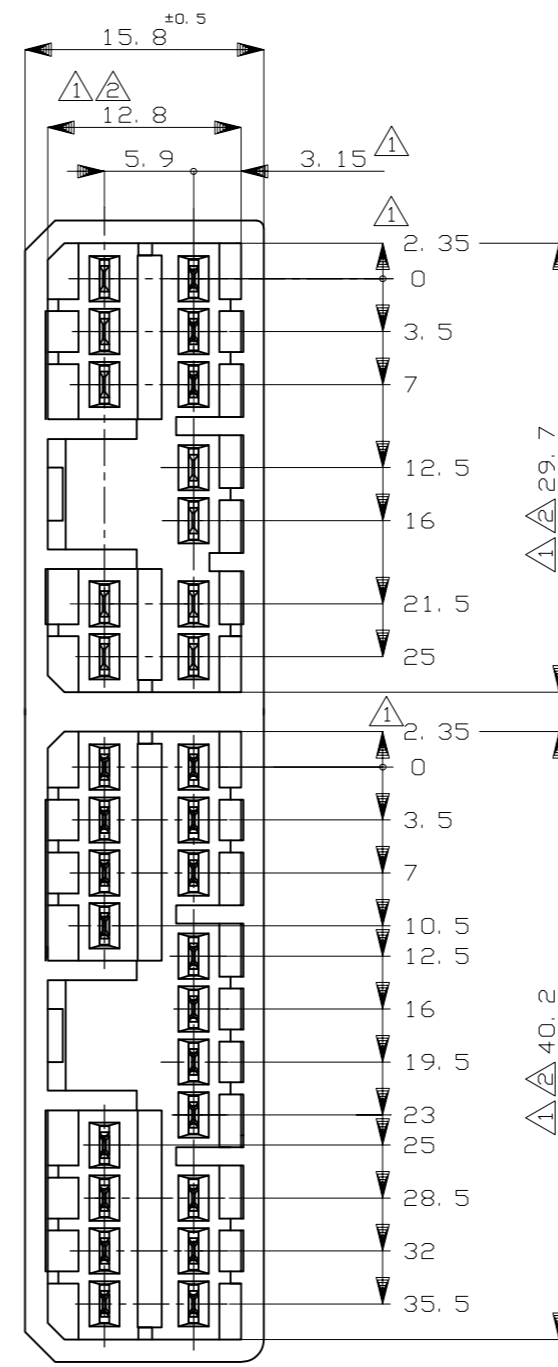
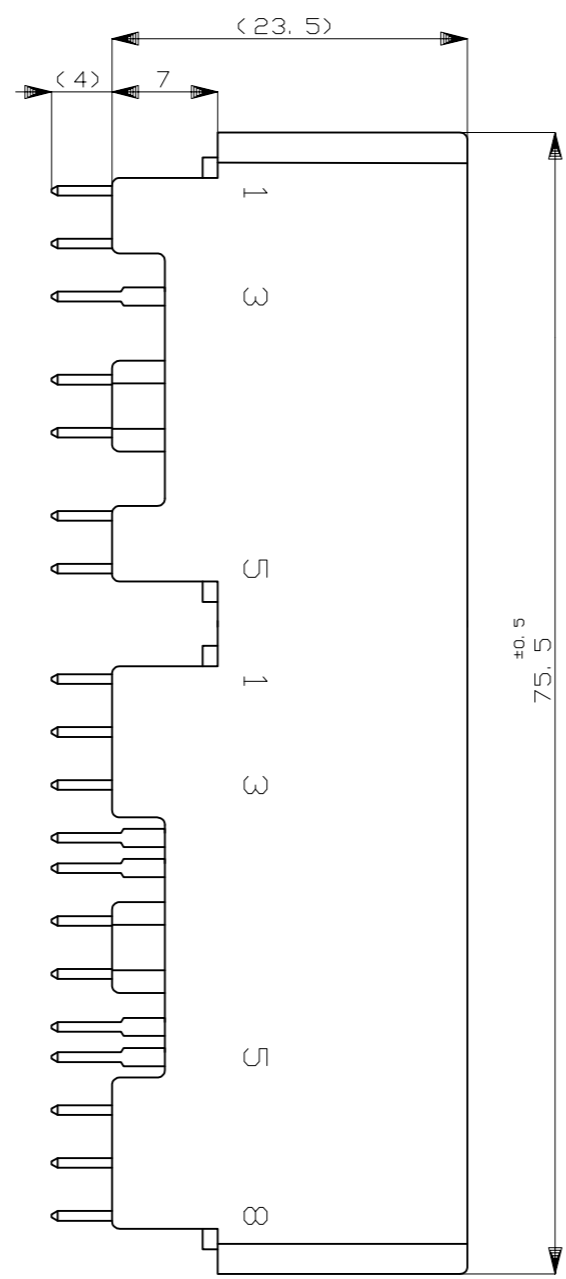
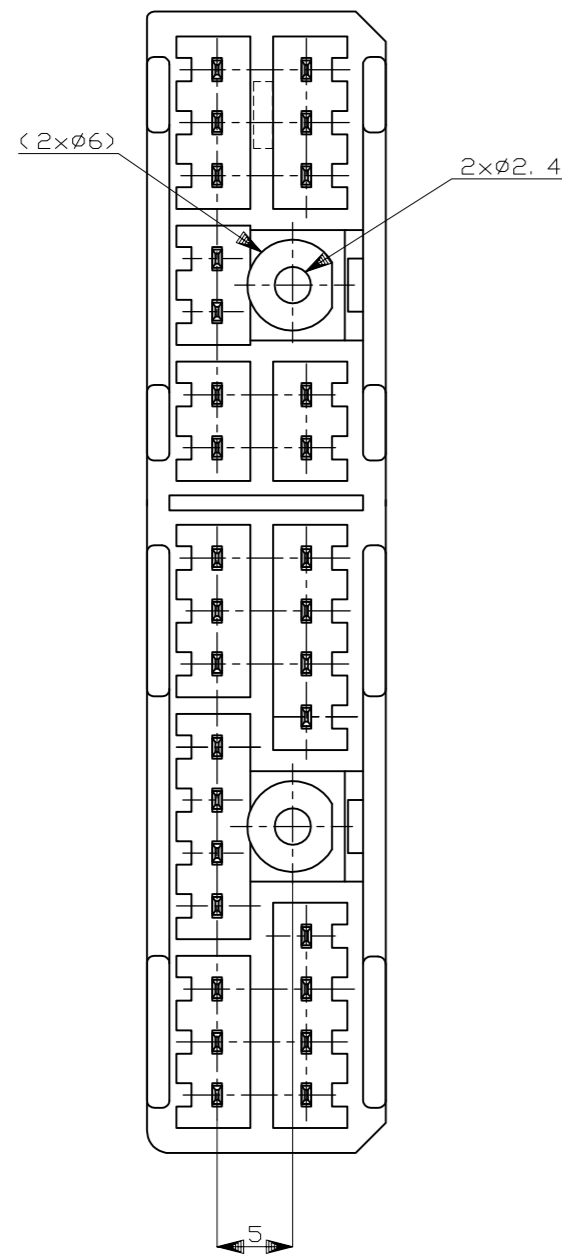


THIS DRAWING IS UNPUBLISHED. RELEASED FOR PUBLICATION - , 2016.
 © COPYRIGHT 2016 By Tyco Electronics JAPAN G.K. ALL RIGHTS RESERVED.

REVISIONS					
P	LTR	DESCRIPTION	DATE	DWN	APVD
F4	REVISED	ECR-16-003280	06SEP2016	KF	HY



- 1 TO BE MEASURED BETWEEN [A] AND 2
- 2 TO BE MATED WITH PLUG HOUSING SMOOTHLY
- 3. TO BE USE M3 TAPPING SCREW JIS B1115 OR 1122 (TYPE 2 OR 4) BEFORE SOLDER
- 4. APPLIED PLUG HOUSING PART NUMBER; 173851, 173853

- 1 [A] 面から2mmの範囲で測定
- 2 相手ハウジングと所定の機能を満たして嵌合できること
- 3. プリント基板への取付けは、JIS B1115 又は 1122, M3×6ナベ (2種又は4種) のタッピンネジで締付けた後ハンダ付けする
- 4. 嵌合相手ハウジング型番; 173851, 173853

TOLERANCE UNLESS OTHERWISE SPECIFIED:
 一般公差

0 < x ≤ 10	: ±0.2
10 < x ≤ 30	: ±0.25
30 < x ≤ 100	: ±0.3
ANGLE	: ±3°
角度	

THIS DRAWING IS A CONTROLLED DOCUMENT.		DWN T.SHINOHARA 30AUG2012
DIMENSIONS: mm		CHK K.BETSUI 30AUG2012
TOLERANCES UNLESS OTHERWISE SPECIFIED:		APVD K.BETSUI 30AUG2012
0 PLC ±		PRODUCT SPEC 108-5216
1 PLC ± -		APPLICATION SPEC
2 PLC ± -		WEIGHT 15 g
3 PLC ± -		MATERIAL HOUSING: PBT CONTACT: BRASS
4 PLC ± -		FINISH -
ANGLES ± -		CUSTOMER DRAWING

SELECTIVE-TIN (MATTE)	SELECTIVE GOLD × 30	NATURAL 自然色	2-5174961-1
PRE-TIN × 30		NATURAL 自然色	1-174961-1
SOLDERING SIDE 半田付け面	CONTACT SIDE 接触部側	COLOR 色	PART NUMBER 製品型番
CONTACT FINISH コンタクト仕上			

		NAME	
		070 SERIES MULTI-LOCK CONNECTOR 30POSITION CAP HOUSING ASSEMBLY V-TYPE	
SIZE	CAGE CODE	DRAWING NO	RESTRICTED TO
A2	00779	C=174961	-
SCALE 2:1		SHEET 1 OF 1	REV F4

单击下面可查看定价，库存，交付和生命周期等信息

[>>TE Connectivity\(泰科\)](#)