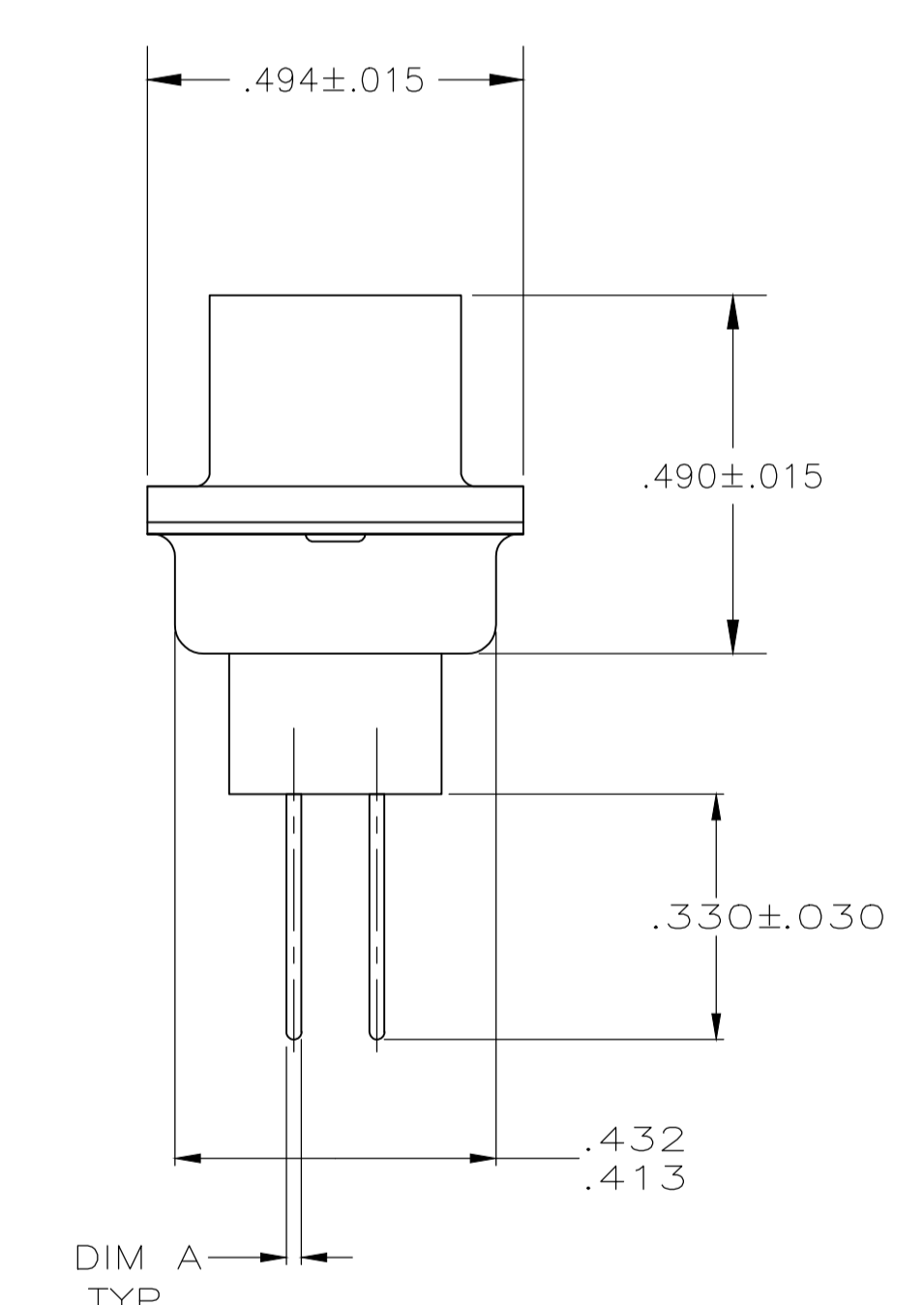
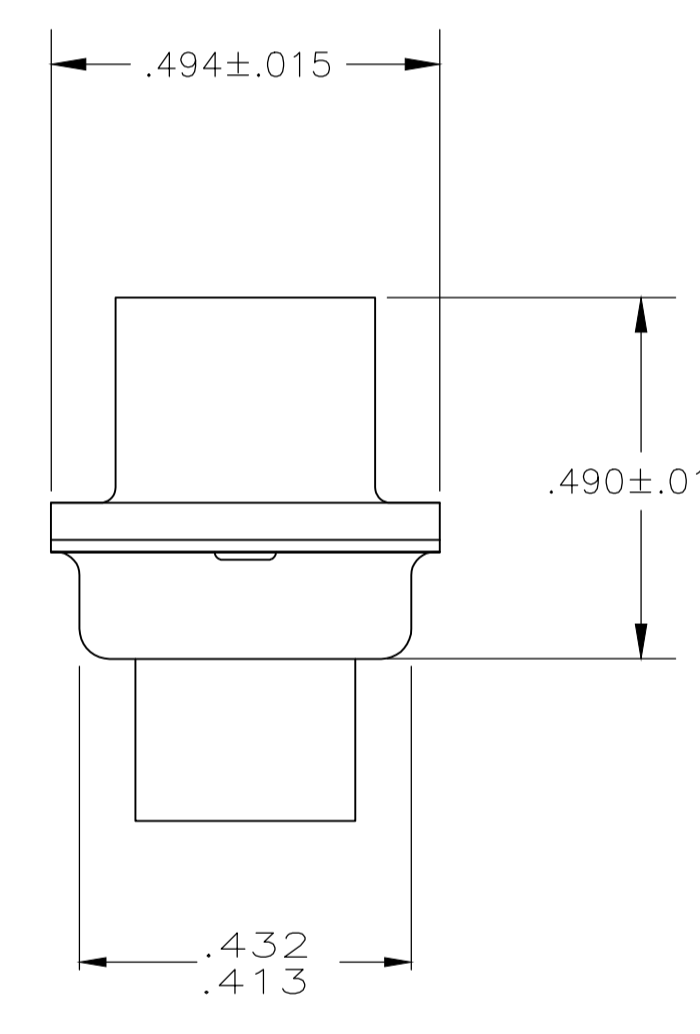
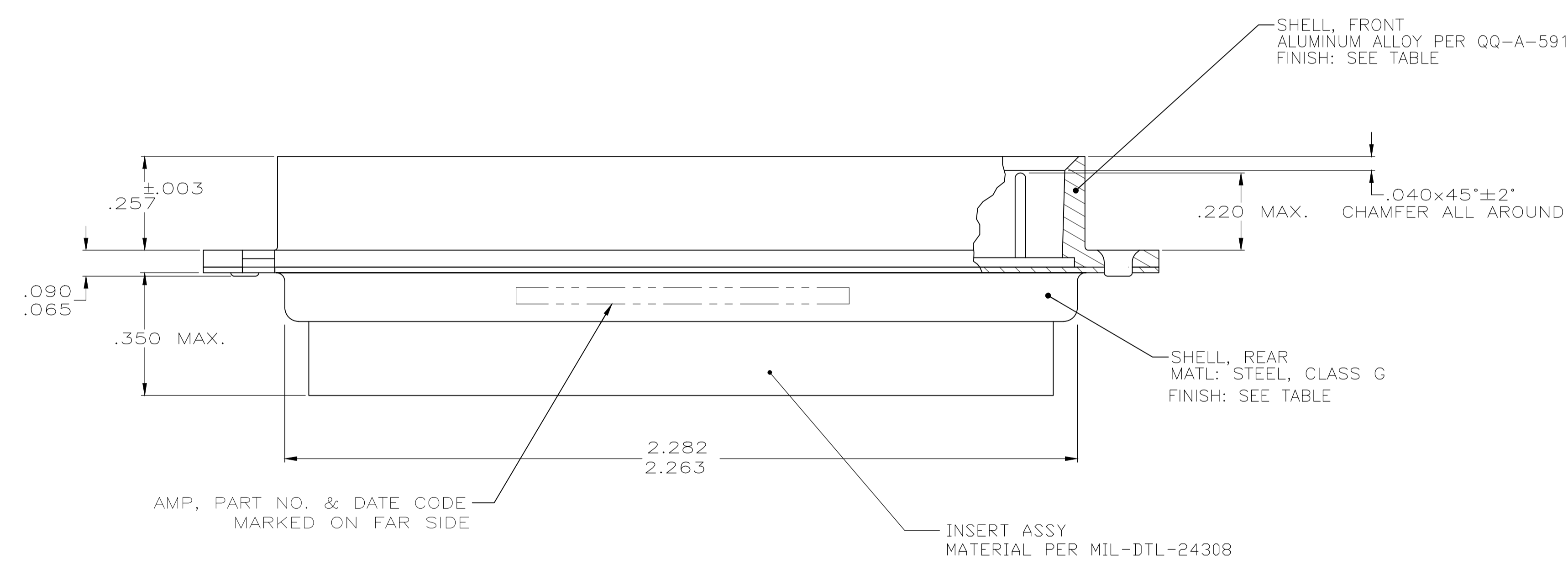
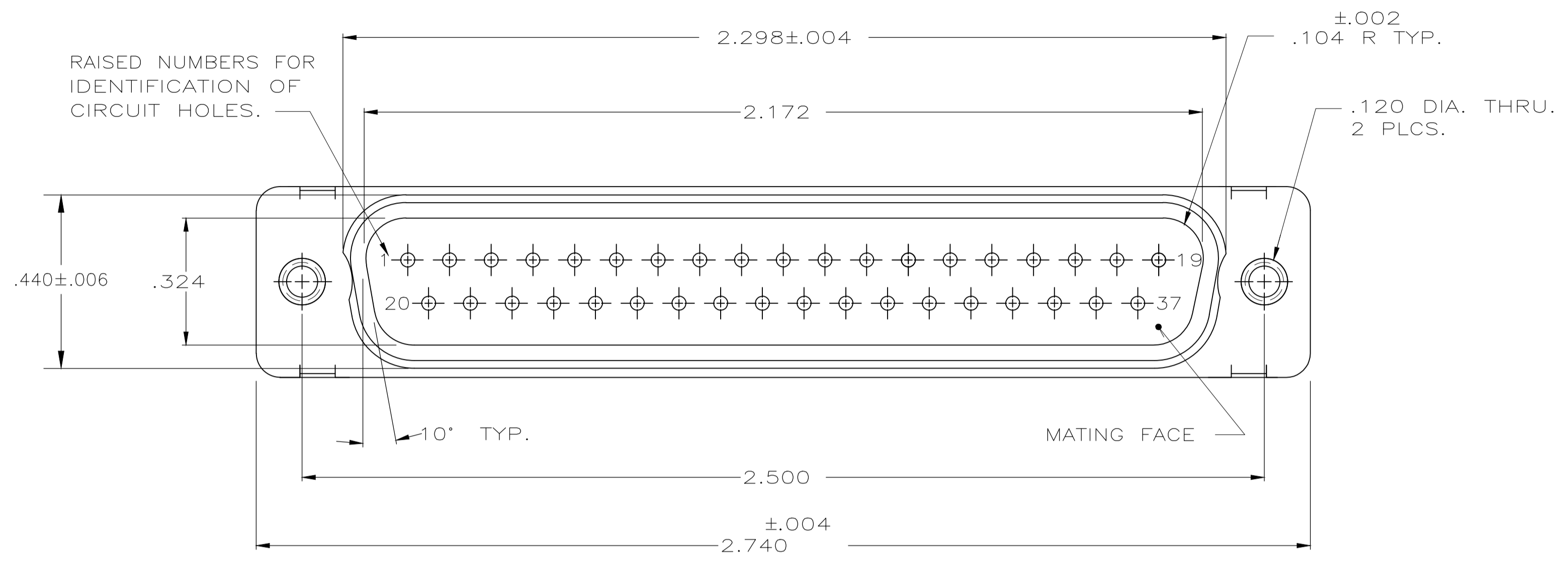


REVISIONS					
P	LTR	DESCRIPTION	DATE	DMN	APVD
P		REV PER ECO 20-003929	5-28-20	CT	DM



- THIS PLUG WILL MATE WITH ANY 37 POSN., SIZE 4 RECEPTACLE IN AMPLIMITE SERIES.
- MAXIMUM WIRE INSULATION TO BE USED WITH THIS PLUG IS .068 DIA.
- SST RETENTION CLIPS ARE INCLUDED IN INSERTS.
- THIS PLUG IS DESIGNED TO CONFORM TO THE LATEST ISSUE OF MIL-C-24308.
- THE -1, -3 & 5--1 CONNECTORS ARE SUPPLIED WITHOUT CONTACTS. THE -2 AND -4 CONNECTORS ARE SUPPLIED WITH CONTACTS THAT ARE KIT PACKAGED. -5 AND -6 CONNECTORS ARE SUPPLIED WITH CONTACTS THAT ARE LOADED IN CONNECTOR
- THIS PLUG WILL ACCEPT SIZE 20 DM PIN CONTACT M39029/64-369 OR ANY AMP SIZE 20 DF PIN CONTACT.
- FINISH: CADMIUM PER QQ-P-416; YELLOW CHROMATE.
- FINISH: TIN PLATED PER MIL-T-10727 OVER COPPER PER MIL-C-14550.
- FINISH: ZINC PLATED PER ASTM-B-633 .000200 MIN THK WITH SUPPLEMENTARY CHROMATE (Cr3+).

PRELIMINARY NOT RELEASED FOR PRODUCTION	-.030 REF	7	AS SHOWN	5-445008-1
PRELIMINARY NOT RELEASED FOR PRODUCTION	.018 REF	7	AS SHOWN IN VIEW T	445008-6
PRELIMINARY NOT RELEASED FOR PRODUCTION	-	8	KIT WITH CONTACTS	445008-4
PRELIMINARY NOT RELEASED FOR PRODUCTION	-	8	AS SHOWN	445008-3
-	-	7	KIT WITH CONTACTS	445008-2
-	-	7	AS SHOWN	445008-1
DIM A	SHELL FINISH		DESCRIPTION	PART NUMBER

THIS DRAWING IS A CONTROLLED DOCUMENT.

DIMENSIONS: INCHES	TOLERANCES UNLESS OTHERWISE SPECIFIED:	DIN S. GLATFELTER 10-17-85	APVD F. BALLEW 10-17-85	NAME
0 PLC ± -	1 PLC ± -	2 PLC ± -	3 PLC ± .005	4 PLC ± -
ANGLES ± -				
MATERIAL SEE CALLOUTS	FINISH SEE CALLOUTS	WEIGHT 0.000000	SIZE A1	CAGE CODE 00779
CUSTOMER DRAWING		SCALE 4:1	SHEET 1 OF 1	REV P

STE TE Connectivity

PLUG ASSEMBLY, AMPLIMITE
37 POSN., SIZE 4,
SERIES 109, BLINDMATE

DRAWING NO. 445008

单击下面可查看定价，库存，交付和生命周期等信息

[>>TE Connectivity\(泰科\)](#)