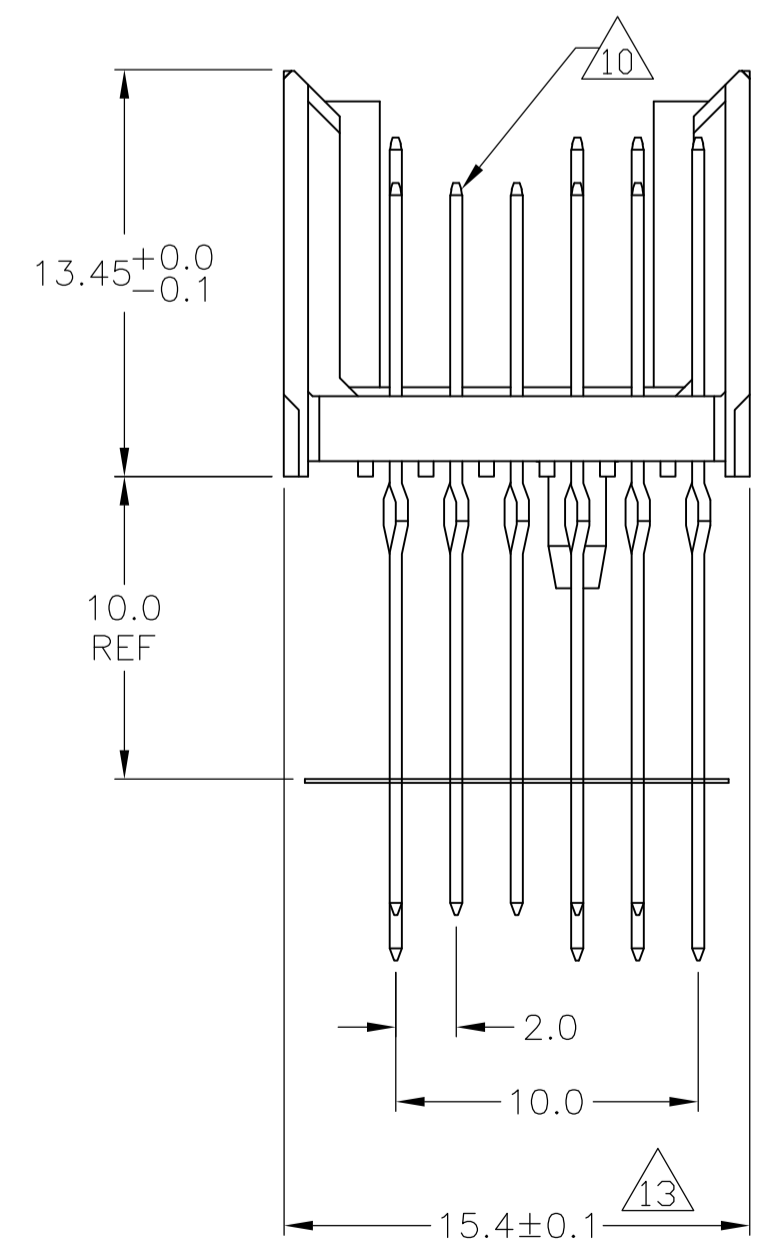
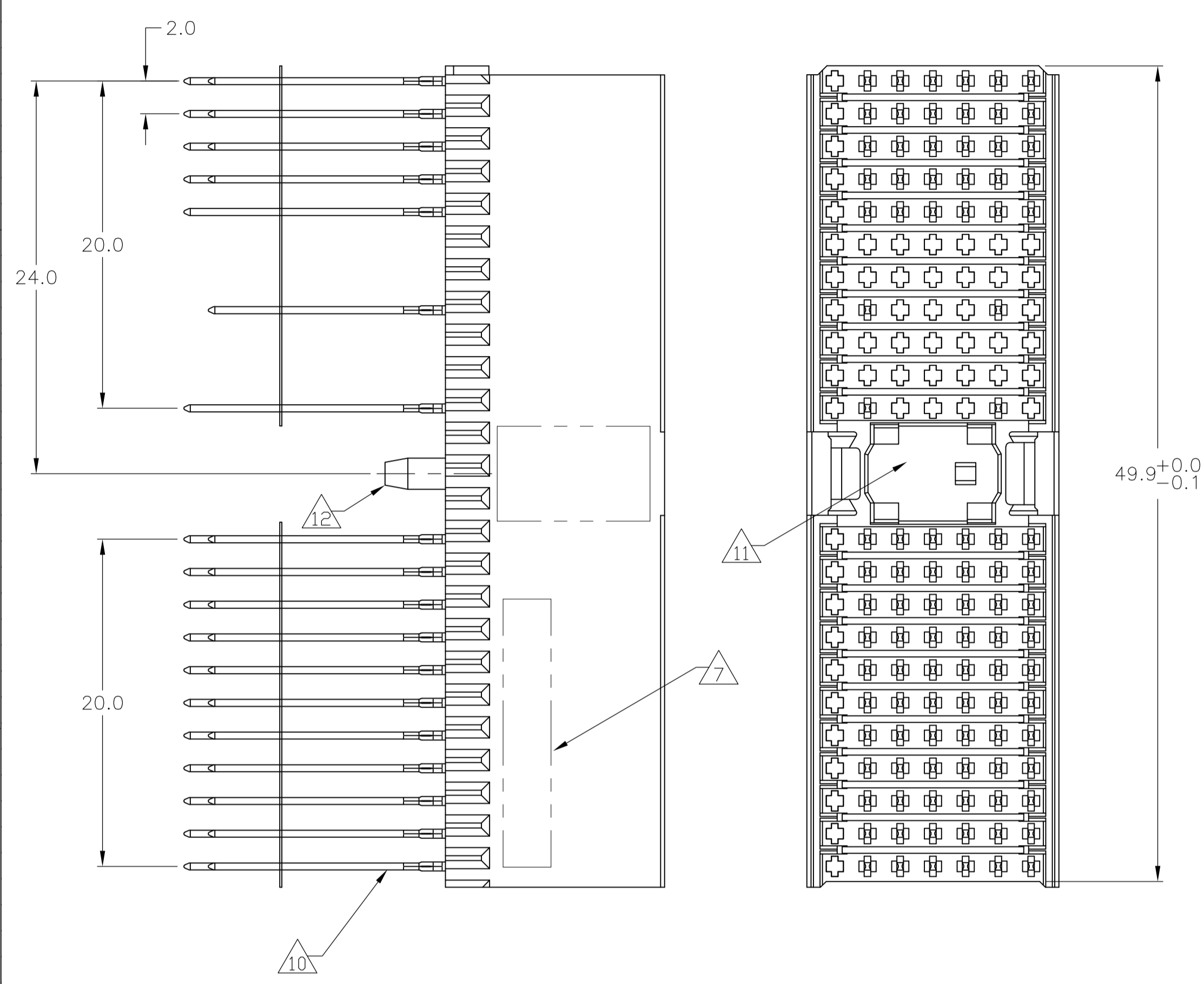
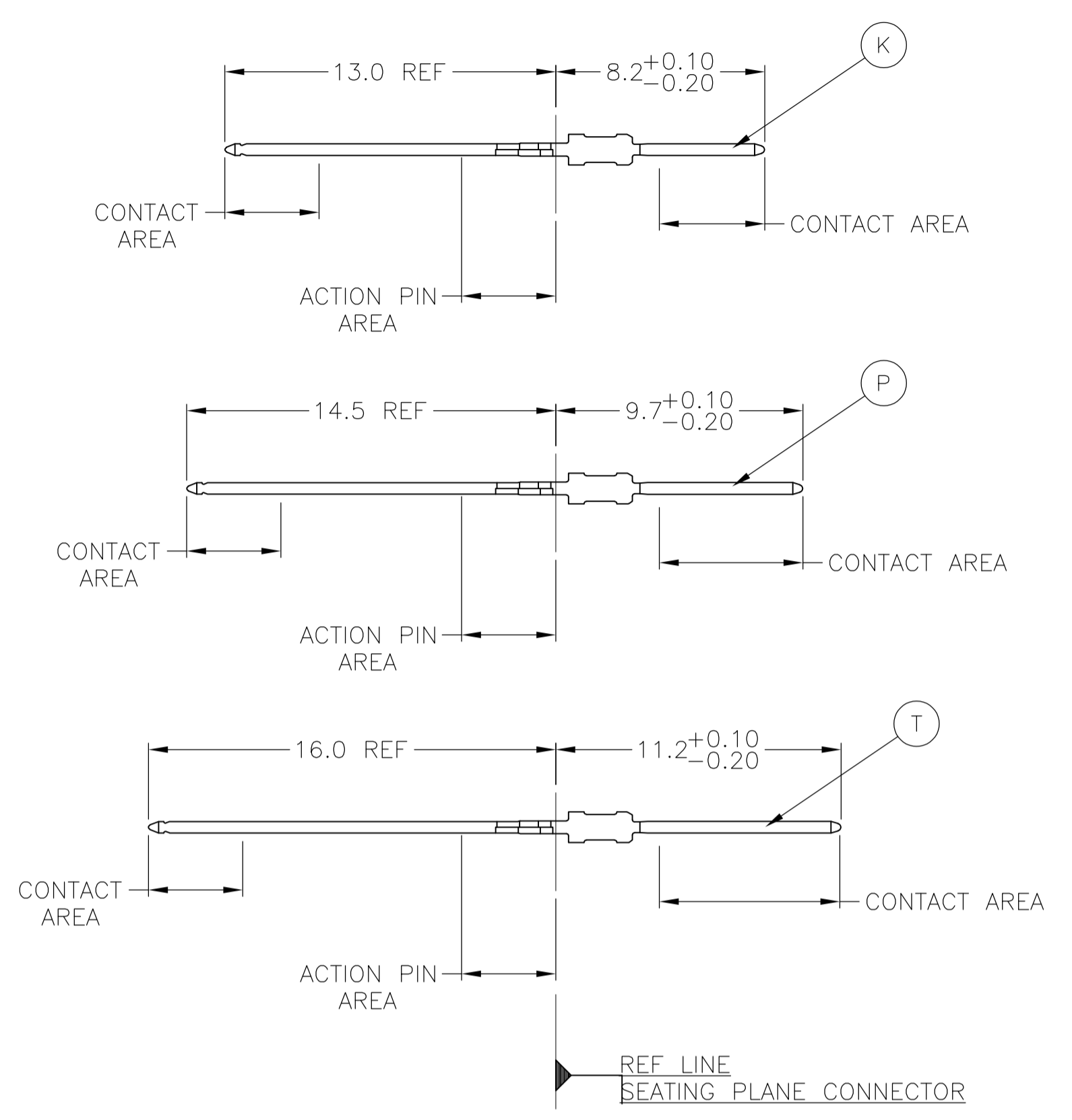


LOC		DIST		REVISIONS			
P	LTR	DESCRIPTION	DATE	DMN	APVD		
C		REVISED PER ECN 0512-0304-05	15JUN06	JDP	GES		
D		ECR-10-019054	15SEP10	SW	MQW		
E		ECR-12-010652	04DEC12	SY	AC		

CONNECTOR ASSEMBLY EXAMPLARY LOADED



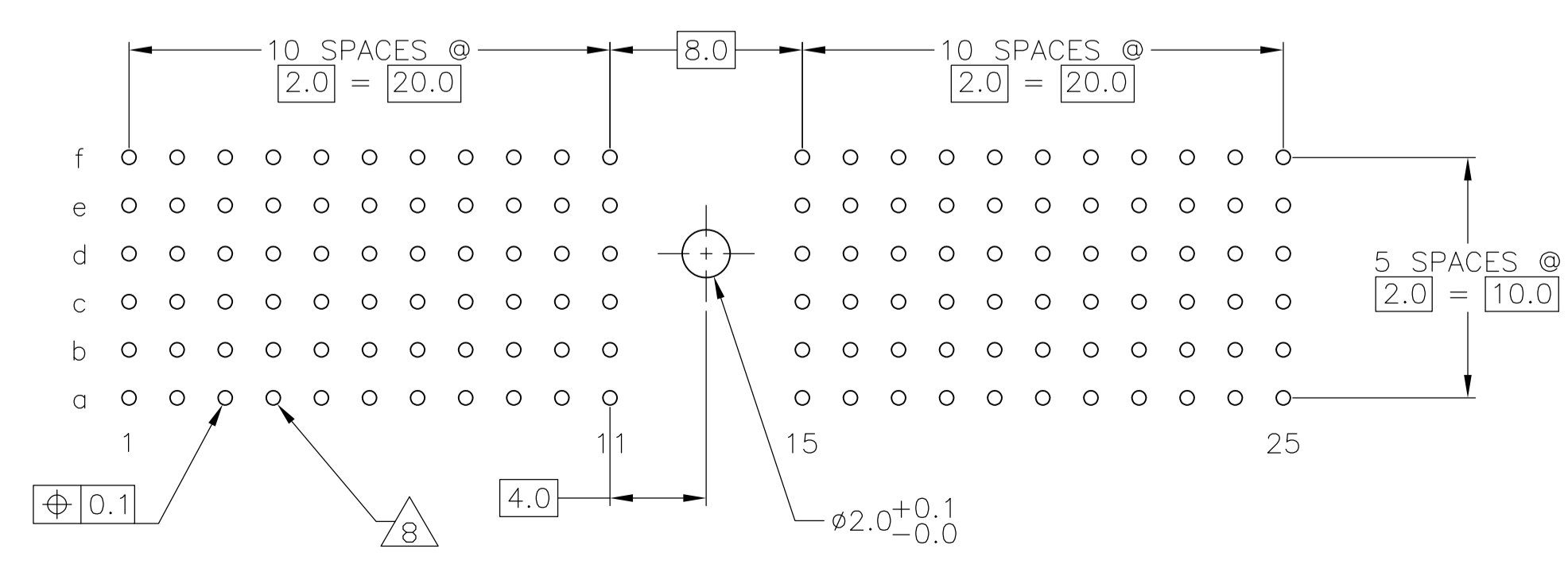
CONTACT DIMENSIONS SCALE 5:1



CONTACT LAYOUT

	z	a	b	c	d	e	f
1		P	P	P	P	P	T
2		P	P	P	P	P	T
3		P	K	P	P	P	T
4		P	P	P	P	P	T
5		T	P	P	P	T	T
6							
7							
8		P				P	
9							
10							
11		T				T	
MULTI PURPOSE CENTER							
15		P	P	P	T	P	T
16		P	P	P	T	P	T
17		P	P	P	T	P	T
18		P	P	P	T	P	T
19		P	P	P	T	P	T
20		P	P	P	T	P	T
21		P	P	P	T	P	T
22		P	P	P	T	P	T
23		P	P	P	T	P	T
24		P	P	P	T	P	T
25		P	P	P	P	P	T

RECOMMENDED PCB-HOLE LAYOUT COMPONENT SIDE SHOWN



PLATED THRU HOLES PARAMETERS REFERENCE APPLICATION SPECIFICATION

2	6	14	1-352522-9
2	5	14	352522-9
2	4		352522-4
2	3		352522-1
OBsolete			
FINISH		PART NUMBER	

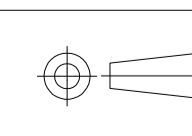
THIS DRAWING IS A CONTROLLED DOCUMENT.

DIMENSIONS: mm	TOLERANCES UNLESS OTHERWISE SPECIFIED:	DIN B. CARBO 27JUL05	Tyco Electronics Corporation Harrisburg, Pa 17105-3608
0-PLC ±	1-PLC ±0.1	CIK G. SKIPPER 27JUL05	1-352522-9
2-PLC ±	3-PLC ±	APVD G. SKIPPER 27JUL05	352522-9
4-PLC ±	ANGLES	NAME	352522-4
MATERIAL	FINISH SEE TABLE	PRODUCT SPEC	352522-1
		APPLICATION SPEC	FINISH
		108-19082	PART NUMBER
		114-19029	MALE ASSEMBLY, Z-PACK 2mm HM, TYPE A
		WEIGHT	SIZE
		A1	CAGE CODE
		00779	DRAWING NO
		352522	RESTRICTED TO
			1
			2
			REV
			E

CUSTOMER DRAWING SCALE 4:1 SHEET 1 OF 2

LOC		DIST		REVISIONS				
P	LTR	DESCRIPTION	DATE	DN	APVD			
AD	00	SEE SHEET 1	-	-	-			

- 1 MATERIAL:
CONTACT: PHOSPHOR BRONZE.
HOUSING: GLASS-FILLED POLYESTER.
- 2 GENERAL PLATING SPECIFICATION: UNDERPLATING
(ENTIRE CONTACT): 1.27µm MIN NICKEL AND ACTION
PIN: 0.5µm MIN TIN/LEAD.
FOR PLATING OF MATING SURFACES SEE APPLICABLE
SPECIFICATION REFERENCE FOR EACH DASH NUMBER.
- 3 CONFORMS TO ALL TESTING ACCORDING TO IEC 61076-4-101
PERFORMANCE LEVEL 2.
- 4 CONFORMS TO ALL TESTING ACCORDING TO IEC 61076-4-101
PERFORMANCE LEVEL 1.
- 5 CONNECTOR TESTED AND QUALIFIED AGAINST TELCORDIA GR-1217-CORE QUALITY LEVEL 3,
CENTRAL OFFICE APPLICATIONS.
- 6 CONNECTOR TESTED AND QUALIFIED AGAINST TELCORDIA GR-1217-CORE QUALITY LEVEL 3,
UNCONTROLLED ENVIROMENT APPLICATIONS.
- 7 CONNECTOR MARKED WITH PART NUMBER AND DATE CODE.
ADDITIONAL CHARACTERS OR MARKINGS, AS WELL AS THE LOCATION OF THE MARKINGS,
MAY BE ADDED FOR TRACEABILITY BASED UPON MANUFACTURERS DISCRETION.
- 8 PLATED-THROUGH HOLES AT 2x2mm SQUARE GRID
PATTERN DEFINED BY CONTACT LAYOUT.
- 9 FOR ACTUAL PIN LOADING SEE "CONTACT LAYOUT".
- 10 FOR ACTUAL PIN DIMENSIONS SEE "CONTACT DIMENSIONS".
- 11 AREA RESERVED FOR KEYING PART (BASIC P/N 100525)
- 12 POLARIZATION FEATURE.
- 13 TO BE MEASURED AT BOTTOM OF SHROUD.
- 14 CONNECTOR LUBRICATED WITH BELCORE APPROVED LUBRICANT,
TECHNICAL REFERENCE: TR-NWT-001217 ISSUE 1, SEP 1992.

THIS DRAWING IS A CONTROLLED DOCUMENT.		DIN B CARBO 27JUL05		Tyco Electronics Corporation Harrisburg, Pa 17105-3608	
DIMENSIONS: mm		TOLERANCES UNLESS OTHERWISE SPECIFIED: 0-PLG ± 1-PLG ±0.1 2-PLG ± 3-PLG ± 4-PLG ± ANGLES ±		APVD G SKIPPER 27JUL05	
		PRODUCT SPEC 108-19082 APPLICATION SPEC 114-19029		NAME MALE ASSEMBLY, Z-PACK 2mm HM, TYPE A	
MATERIAL SEE SHEET 1		FINISH SEE SHEET 1		SIZE CAGE CODE DRAWING NO A1 00779 C=352522	
		WEIGHT -		RESTRICTED TO -	
CUSTOMER DRAWING				SCALE 4:1 SHEET 2 OF 2 REV E	

单击下面可查看定价，库存，交付和生命周期等信息

[>>TE Connectivity\(泰科\)](#)